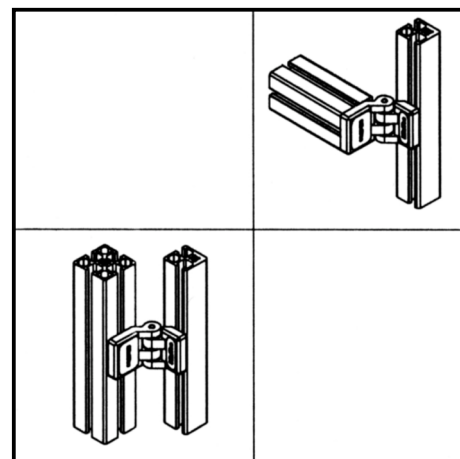
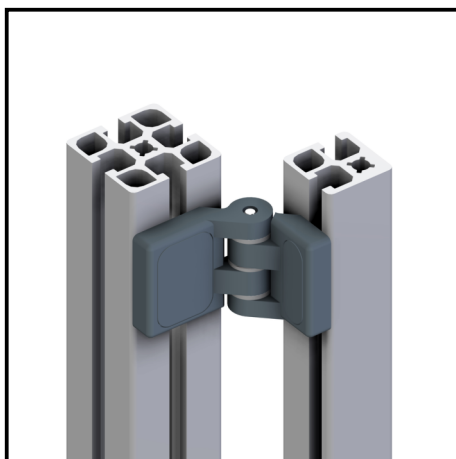
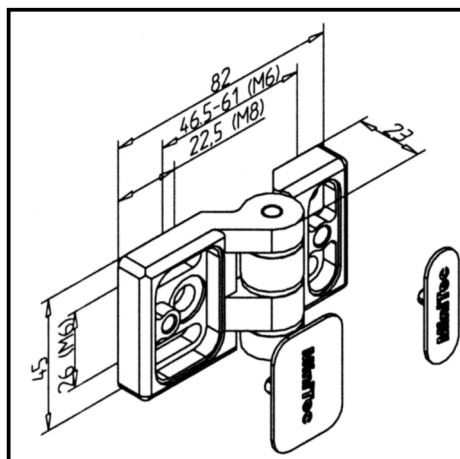


HINGE 32 S

Article Nr. 21.1055/0

[See the product on the website](#) →

[Download CAD Files](#) →



TECHN. DATA / ITEMS SUPPLIED

- Aluminium, Pressure die-casting, powder-coated, grey
- Hinge pin, steel, galvanised
- End caps
- Without fastening kit
- Load capacity up to 600 N, static
- Weight = 0.102 kg/piece

APPLICATIONS

- Suitable for large doors and lids
- Guard units
- Connecting profiles 19, 32 and 45 at any angle

ASSEMBLY

- Fix short half of hinge on profile groove using 2 M6 x 18 bolts and 2 square nuts or use screws corresponding to the material thickness to fix directly on the surface elements
- Fasten other hinge half onto profile 45 x 45 with screw M8 x 30 or 2 screws M6 x 18
- For heavy-duty applications use multiple hinges
- Swivel range up to 270°