



Brand of NTN corporation

## Technical data

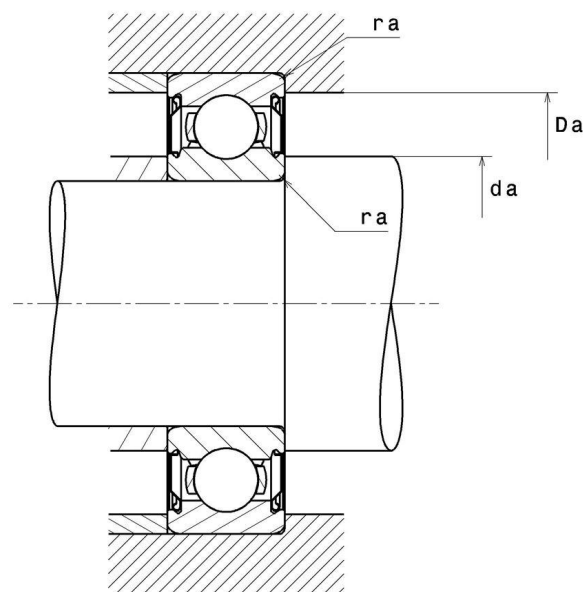
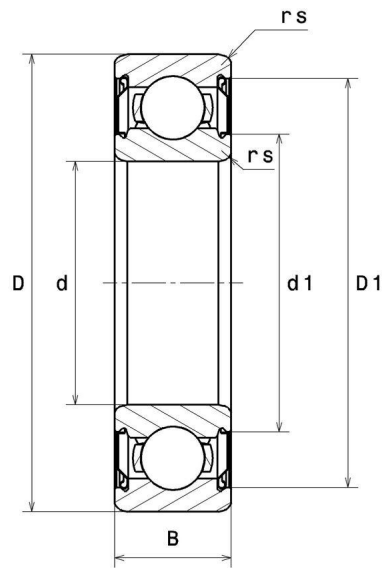
### 6219ZZ

Single row deep groove ball bearings



Deep groove ball bearing, radial contact, pressed steel cage, shields on both sides

### VISUAL (S)



**NTN Europe**

1 rue des Usines · BP 2017 · 74010 Annecy Cedex · France · Tel. +33 (0)4 50 65 30 00  
S.A. au capital de 322 639 919 € · RCS ANNECY B 325 821 072 · Id. Fiscale : FR 48 325 821 072  
SIRET 325 821 072 00015 · Code APE 2815 Z · Code NACE 28.15

# 6219ZZ

Single row deep groove ball bearings

## PRODUCT DEFINITION

<b>Brand</b>	SNR
<b>d - Internal diameter</b>	95 mm
<b>D - External diameter</b>	170 mm
<b>B - Bearing/Inner ring width</b>	32 mm
<b>d1 - External diameter inner ring</b>	111,3 mm
<b>D1 - Inner diameter outer ring</b>	153,3 mm
<b>rs - Min fillet radius</b>	2,1 mm
<b>Radial clearance class</b>	CN
<b>Mass</b>	2,65 kg

## PRODUCT PERFORMANCE

<b>C - Dynamic load</b>	115000000 mN
<b>C0 - Static load</b>	81900000 mN
<b>Cu - Fatigue limit load</b>	3250000 mN
<b>f0 - Coefficient</b>	14.5
<b>N ref - Reference thermal speed</b>	30000 °/s
<b>N lim - Mechanical Limit Speed</b>	30000 °/s
<b>Tmin - Min operating temperature</b>	243,15 °K
<b>Tmax - Max operating temperature</b>	393,15 °K

## BEARING FREQUENCIES

<b>BPFO - Over rolling frequency on outer ring (60 rpm)</b>	4.101 Hz
<b>BPFI - Over rolling frequency on inner (60 rpm)</b>	5.899 Hz
<b>BSF - Over rolling frequency on rolling element (60 rpm)</b>	5.384 Hz
<b>BRF - Rotational frequency - rolling element (60 rpm)</b>	2.692 Hz



**NTN Europe**

1 rue des Usines · BP 2017 · 74010 Annecy Cedex · France · Tel. +33 (0)4 50 65 30 00  
S.A. au capital de 322 639 919 € · RCS ANNECY B 325 821 072 · Id. Fiscale : FR 48 325 821 072  
SIRET 325 821 072 00015 · Code APE 2815 Z · Code NACE 28.15

## BEARING FREQUENCIES

FTF - Rotational frequency - cage (60 rpm)

0.41 Hz

## ABUTMENT

da min - Min shoulder diameter IR

106 mm

da max - Max shoulder diameter IR

111,3 mm

Da max - Max shoulder diameter OR

159 mm

ra max - Max shaft &amp; housing fillet radius

2 mm

## INDUSTRY CALCUL FACTORS

Equivalent dynamic radial load

$$P = X \cdot Fr + Y \cdot Fa$$

$\frac{f_0 F_a}{C_0}$	e	Fa / Fr ≤ e		Fa / Fr > e	
		X	Y	X	Y
0.172	0.19	1	0	0.56	2.3
0.345	0.22				1.99
0.689	0.26				1.71
1.03	0.28				1.55
1.38	0.3				1.45
2.07	0.34				1.31
3.45	0.38				1.15
5.17	0.42				1.04
6.89	0.44				1

Equivalent static radial load

$$P_0 = X_0 \cdot Fr + Y_0 \cdot Fa$$

$X_0$	$Y_0$
0.6	0.5

For single or DT bearing arrangement :

If  $P_0 < Fr$ , then use  $P_0 = Fr$ 