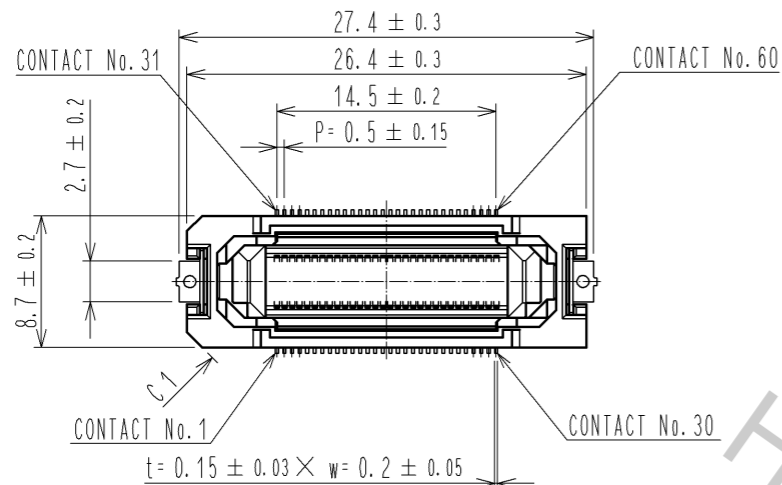
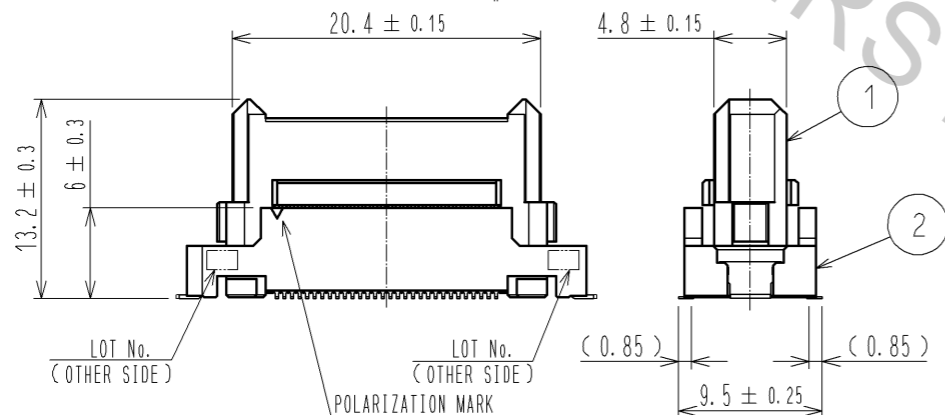
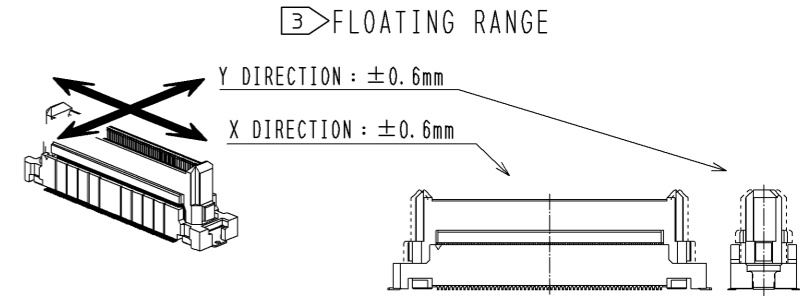
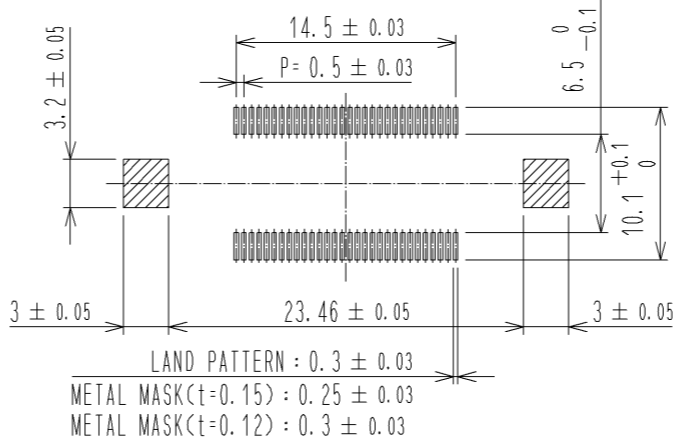


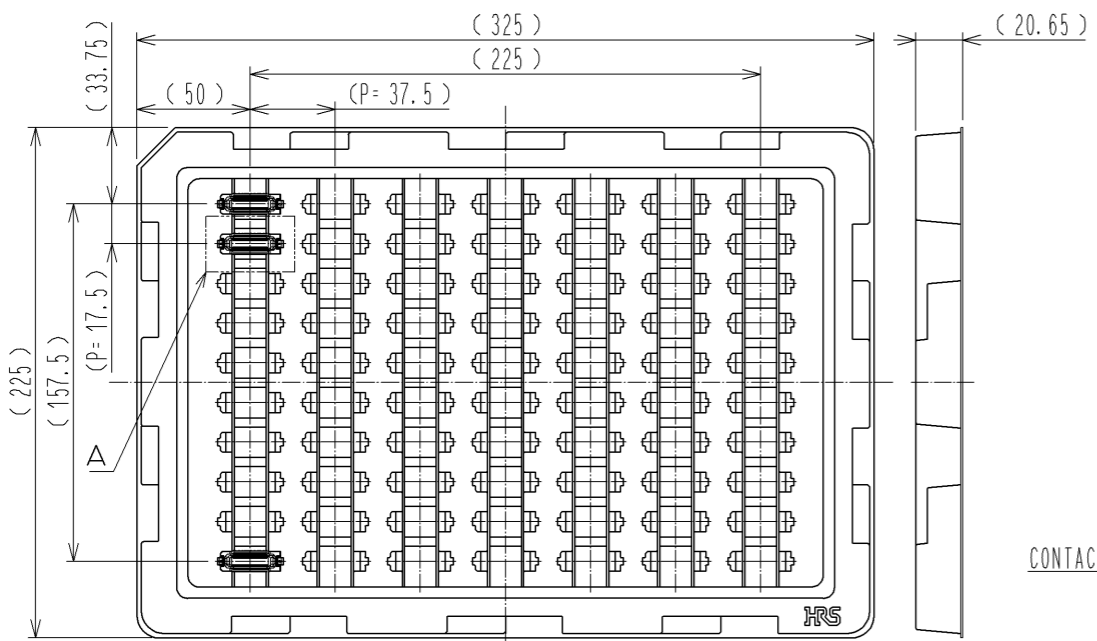
Mar.1.2016 Copyright 2016 HIROSE ELECTRIC CO., LTD. All Rights Reserved.



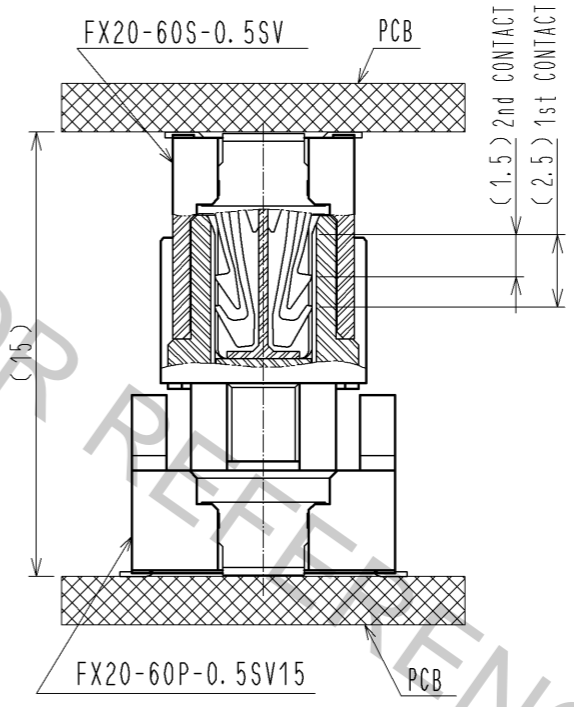
RECOMMENDED LAND PATTERN DIMENSION OF PCB



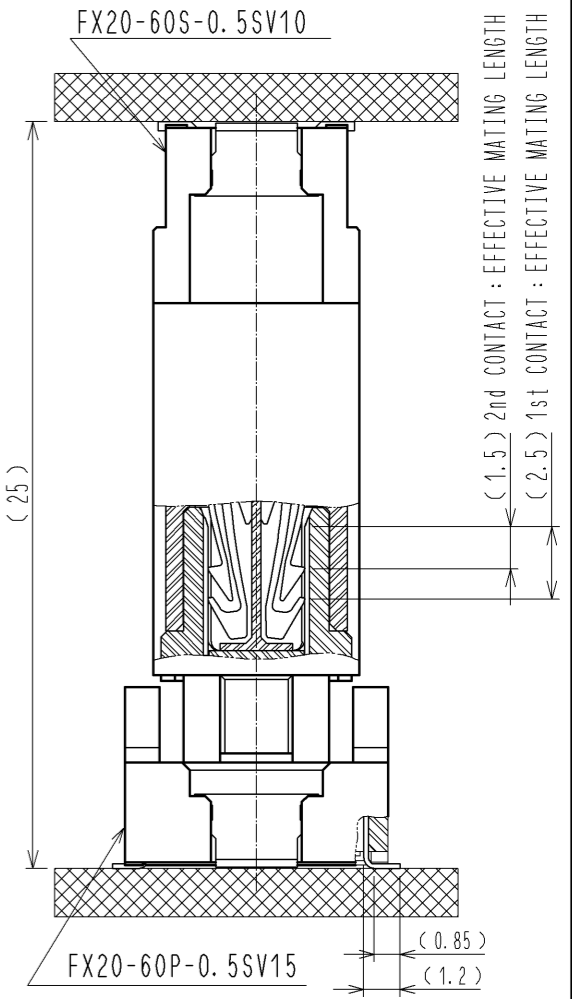
2 DRAWING FOR PACKING(FREE)



CROSS SECTION OF MATING(FREE)

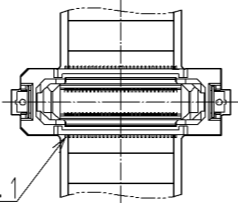


CROSS SECTION OF MATING(FREE)



- NOTE 1 LEAD CO-PLANARITY IS 0.1mm MAX.
 2 THIS IS PACKAGED IN TRAY. (70pcs/TRAY)
 3 FLOATING RANGE OF THIS CONNECTOR IS ±0.6mm MAX.
 4 BLEMISH AND HIT MARK CAN BE OCCURED THROUGH OUT THE MANUFACTURING PROCESS WHICH DOESN' T AFFECT QUALITY LEVEL.
 5 PLEASE NOTE THAT EXCESSIVE WRENCHING FORCE COULD DAMAGE THIS CONNECTOR. PLEASE REFER TO THE GUIDELINE FOR DETAILED REGULATIONS OF THE MATING METHOD.
 6 THE DIMENSIONS IN PARENTHESES ARE FOR REFERENCES.

A (1 : 1)



| | | | | | | |
|-------------------------------|-----------|--------|---------|---------------------------------|--------------|---------------------------------------------------------------------------------|
| 2 | POLYAMIDE | BLACK | UL94V-0 | 4 | BRASS | TIN-PLATING 1 μm |
| 1 | POLYAMIDE | BLACK | UL94V-0 | 3 | COPPER ALLOY | CONTACT AREA:GOLD 0.1 μm LEAD AREA:GOLD 0.03 μm UNDER PLATING:NICKEL 1 μm |
| NO. | MATERIAL | FINISH | REMARKS | NO. | MATERIAL | FINISH . REMARKS |
| UNITS mm | | | | SCALE 2 : 1 | | |
| HRS HIROSE ELECTRIC CO., LTD. | | | | APPROVED : HS. OKAWA 12.03.06 | | |
| | | | | CHECKED : KI. HIROKAWA 12.03.06 | | |
| | | | | DESIGNED : KT. DOI 12.03.02 | | |
| | | | | DRAWN : KT. DOI 12.03.02 | | |
| | | | | DRAWING NO. EDC3-336320-00 | | |
| | | | | PART NO. FX20-60P-0.5SV15 | | |
| | | | | CODE NO. CL570-1002-3-00 | | |
| | | | | DATE | | |