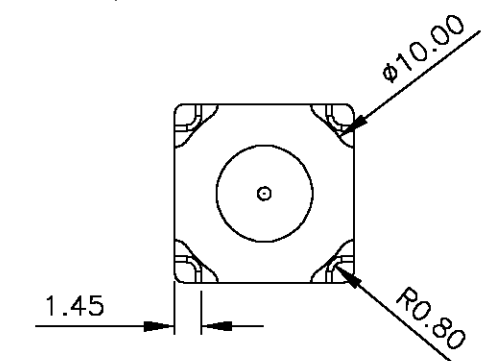
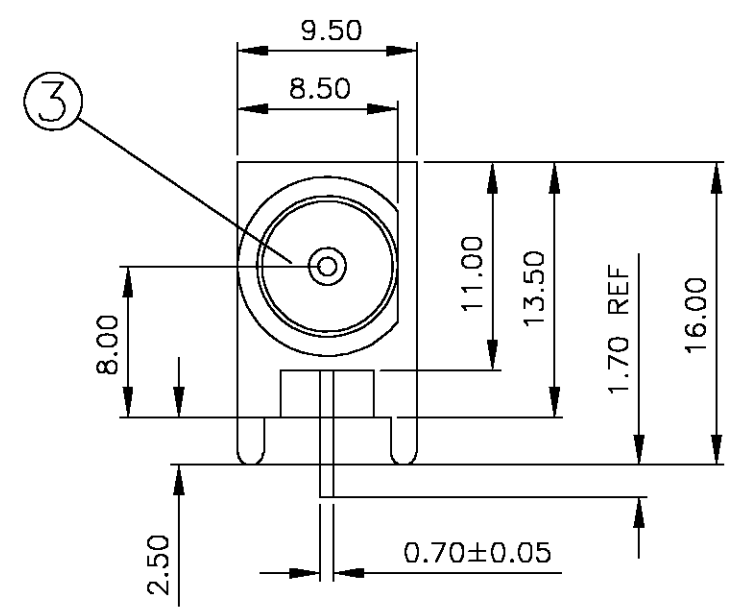
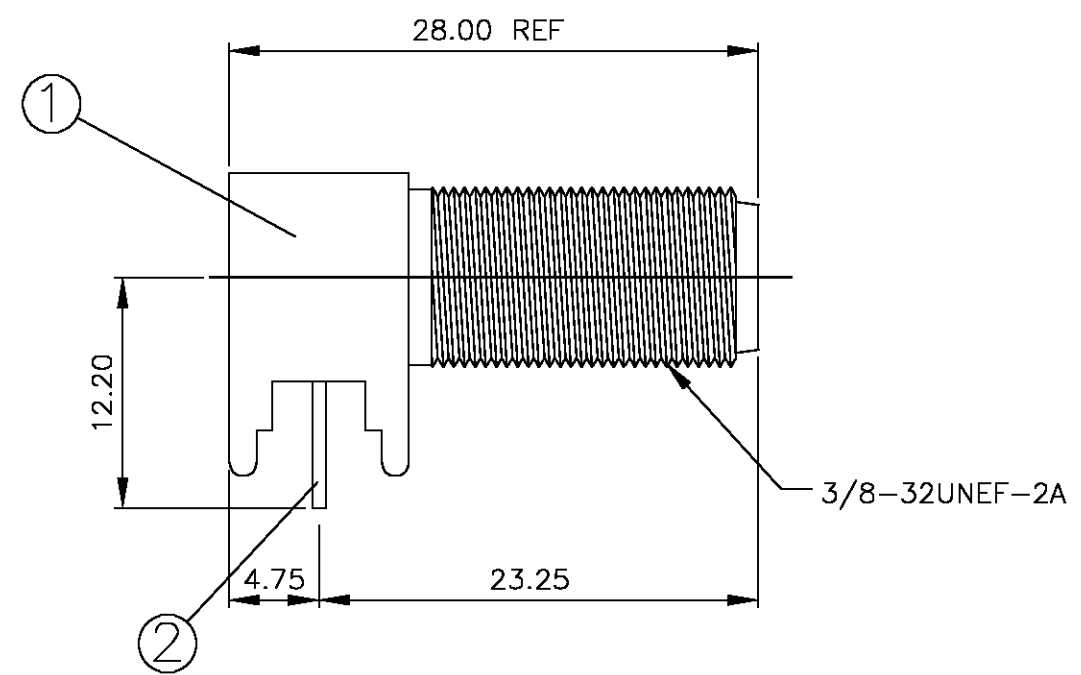


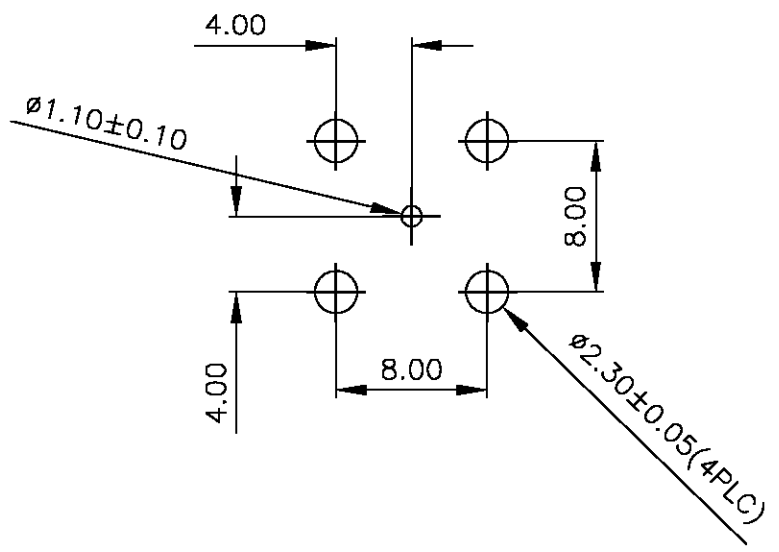
THIS DRAWING IS UNPUBLISHED. RELEASED FOR PUBLICATION MAR, 2004.
 © COPYRIGHT 2004 BY TYCO ELECTRONICS CORPORATION. ALL RIGHTS RESERVED.

LOC	DIST	REVISIONS			
P	LTR	DESCRIPTION	DATE	DWN	APVD
E	B	A	EBD0-0122-04	04MAR04	JMS FWK

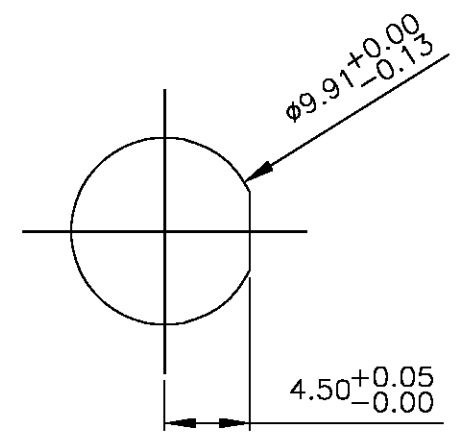
- NOTES**
- ① 100 TRAY PACK IN ACCORDANCE WITH AMP SPEC 107-3275
 - ② SINGLE PACK IN ACCORDANCE WITH AMP SPEC 107-3275
 - ③ 1.27µm TIN PLATING OVER 0.76µm Cu PLATING
 - ④ 1.27µm Ni PLATING OVER 0.76µm Cu PLATING



RECOMMENDED PCB LAYOUT WITH MOUNTING POSTS



RECOMMENDED MOUNTING HOLE



QTY	QTY	MATERIAL	DESCRIPTION	ITEM
1	1	POLYETHYLENE	INSULATOR	3
1	1	PHOS BRONZE ③	CONTACT	2
1	1	ZINC ALLOY ④	BODY	1
5--1	5--0			
②	①			

THIS DRAWING IS A CONTROLLED DOCUMENT.		DWN J.SANDWELL 04MAR04	Tyco Electronics Corporation Bideford, UK, EX39 4HE	
DIMENSIONS: MM		CHK S.PARLOW 04MAR04	NAME F SERIES CONNECTOR ELBOW JACK PCB	
TOLERANCES UNLESS OTHERWISE SPECIFIED:		APVD F.WHEELER-KING 04MAR04	PRODUCT SPEC	
0 PLC ± -		APPLICATION SPEC		
1 PLC ± -		SIZE		
2 PLC ± -		CAGE CODE		
3 PLC ± -		DRAWING NO		
4 PLC ± -		RESTRICTED TO		
ANGLES ± -		A3 00779 C-1634540		
MATERIAL		WEIGHT		
FINISH		CUSTOMER DRAWING		
		SCALE NTS SHEET 1 OF 1 REV A		