

Datasheet

RS Pro Flow Indicator/Switch

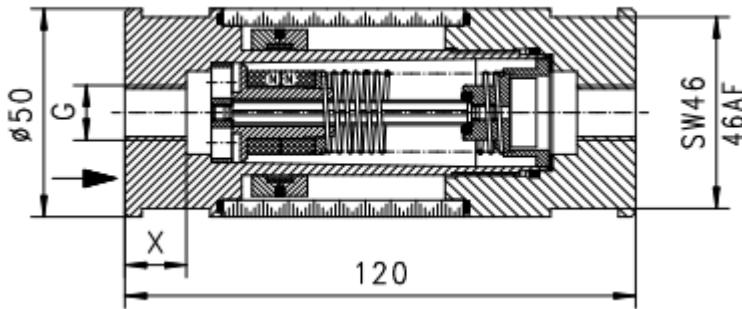


General Characteristics

Mechanical flow meter with spring-supported pistons for fluid or gaseous media. The triggering of the indication ring is realised by means of a magnetic link between the indication ring and wetted piston.

- Local metering
- Also for dark and dirty media
- Turnable scale
- No pressurised or wetted glass parts
- Female thread
- Tolerance $\pm 5\%$ of full scale
- Media temperature maximum 90°C
- Average pressure loss 0.7 bar at Q_{max} .

Item Number	Connection G''	PN bar	Indicating Range $\sqrt{\text{min H}_2\text{O}}$	Qmax. Recommended $\sqrt{\text{min H}_2\text{O}}$
5100644	1/2''	50	5-30	30



MATERIALS

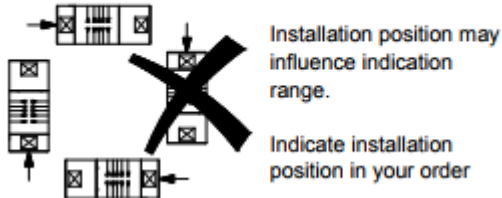
Housing – Brass Ms58
Connectors – Brass Ms58 nickel plated
Tube – acrylic (XT)
Piston – Brass Ms58
Spring – Stainless steel 1.4310
Magnet – oxyd 300
Seal – NBR / Viton

ELECTRICAL DATA

● BASIC Standard
 No electrical components.

○ BASIC programme options
 switch head plastic
 see description NOK-

MOUNTING POSITION



METERING SUBSTANCES

