



▶ ABOUT US

▶ PRODUCTS

▶ CONNECTION TYPE

▶ PRODUCT MICROSITES

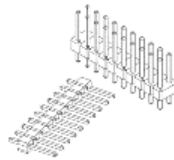
▶ APPLICATIONS

▶ CONTACT US

▶ PRESS ROOM

68000-406HLF

68000-406HLF - BergStik® : Unshrouded Header, Through Hole, Single Row, 6 Positions, 2.54 mm Pitch, Vertical, 5.84 mm (0.23 in.) Mating, 2.41 mm (0.095 in.) Tail



Customer drawing



Environmental Compliance Report

General Dimensional Electrical Mechanical Mounting Physical Approvals / Certifications Other Features

General

Number of contacts (per row)	6
Number of contacts (Total)	6
Number of rows	1
Orientation	Vertical
Packaging	Bulk Packaging
Attachment type (Board)	Through Hole
Series Number	68000
Dimensional	
Length (Mating pin)	5.84 mm (0.23 in.)
Length (Overall pin)	10.8 mm (0.425 in.)
Length (Tail)	2.41 mm (0.095 in.)
Electrical	
Current rating	3 amp Continuous
Resistance (Insulation)	5000 M-ohms
Voltage rating	1500V AC rms
Mechanical	
Retention force	8.88N (2 lbf)
Mounting	
Retention feature (Board)	No
Solder process	Vapor-phase IR Reflow Soldering Processes Compatible with Wave
Physical	
Color (Housing)	Black
Material (Contact)	Phospor Bronze
Material (Housing)	High Temperature Black Thermoplastic
Plating (Contact area)	Tin
Plating (Tail)	Tin
Underplating (Contact)	1.27 µm (50 µin.) Nickel
Flammability rating	UL 94 V-0
Temperature (Range)	-65°C to +125°C
Approvals / Certifications	
UL File Number	E66906
CSA File Number	LR46923
Approvals / Certifications	UL and CSA Approved
Other Features	
Comments	Sample Kit 950501-016
Literature	950559-001

PRODUCT NUMBER

XXXXX-YYY HT L F

LEAD FREE OPTION
(SEE NOTES 1)

PACKAGING OPTIONS
(SEE NOTE 1)

HIGH TEMPERATURE PLASTIC
(SEE NOTE 1)

NO OF
POSITIONS
(SEE NOTE 1)

PIN PLATING
(SEE SHEET 2)

BASE PART NO.

68000-X XX-XXX XXX L F

TAIL LENGTH (EXAMPLE BELOW)
3.0mm=030 12.8mm=128 (SEE NOTE 15 & 16)

MATING LENGTH (EXAMPLE BELOW)
5.0mm=050 25.5mm=255 (SEE NOTE 15 & 16)

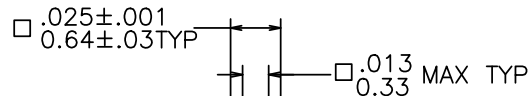
TOTAL NUMBER OF POSITION
FROM 1 THRU 36 POS. (SEE NOTE 1)

PIN PLATING (SEE NOTE 13)
1=0.76µm Au
4= PURE TIN
8=0.36µm Au

BASE PART NO.

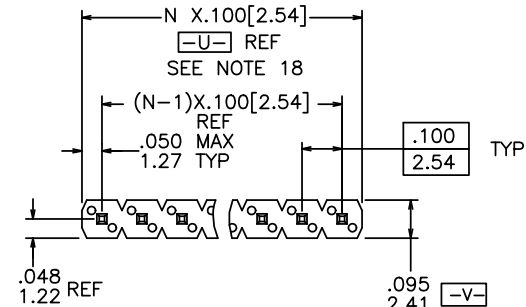
⊕ ⌀.020/.51 (M) U (M) V (S)

NOTE 4

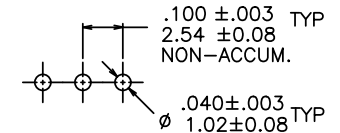


DETAIL P
TYP BOTH ENDS

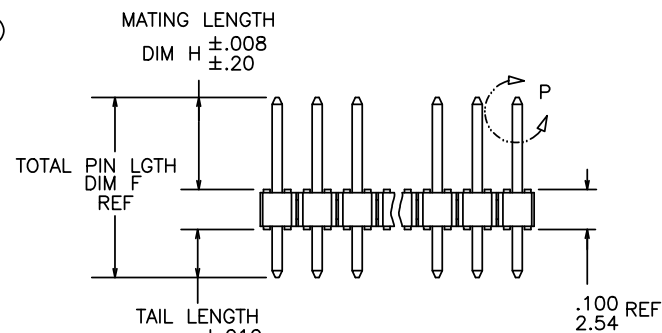
25°±5° TYP
4 SIDES



TOP VIEW

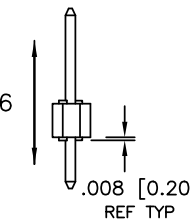


RECOMMENDED HOLE PATTERN



SIDE VIEW

NOTE 6



END VIEW



Copyright FCI.

rev	ecn no	dr	date
CY	ELX-N-011895	JZ	2012-06-12
CT	M08-0265	MHT	9/23/08
CU	M08-0331	MHT	12/01/08
CV	M09-0090	MHT	6/19/09
CW	M09-0105	MHT	7/10/09
CX	N11-0118	JZ	2011-04-11

www.fciconnect.com			surface 6.4 ISO 1302	tolerance std ISO 406 ISO 1101	projection ISO 1101	INCH/MM
TOLERANCES UNLESS OTHERWISE SPECIFIED			ANGULAR	LINEAR	size A4	Scale 1.000
Dr	T.BREWBAKER	01/05/95	0°	±2°	0.X ±0.3	ECN ELX-N-011895
Eng	T.HANNA	01/05/95	0.XX ±0.15			
Chr	J.MURPHY	01/05/95	0.XXX ±0.05			
Appr	T.HANNA	01/05/95	Product family BERGSTIK		Spec ref	
FCI			title BERGSTIK® II HEADER .100/2.54cc SR STRAIGHT		dwg no 68000	Rev. CY
			catalog no		CUSTOMER	sheet 1 of 8

PIN PLATING CODES:	
XXXX-1YY	30u"/0.76u MIN (SEE NOTE 13) OVER 50u"/1.27u MIN Ni
XXXX-2YY	15u"/0.38u MIN (SEE NOTE 13) OVER 50u"/1.27u MIN Ni
XXXX-3YY	50u"/1.27u MIN (SEE NOTE 13) OVER 50u"/1.27u MIN Ni
XXXX-4YY	100u"/2.54u MIN Sn OVER 50u"/1.27u MIN Ni (SEE NOTE 14)
XXXX-4YYHLF	
XXXX-5YY	15u"/0.38u MIN (SEE NOTE 13) OVER 50u"/1.27u MIN Ni
XXXX-6YY	30u"/0.76u MIN (SEE NOTE 13) OVER 50u"/1.27u MIN Ni
XXXX-7YY	30u"/0.76u MIN (SEE NOTE 13) OVER 50u"/1.27u MIN Ni
XXXX-8YY	15u"/0.38u MIN (SEE NOTE 13) OVER 50u"/1.27u MIN Ni
XXXX-9YY	15u"/0.38u MIN (SEE NOTE 13) OVER 50u"/1.27u MIN Ni
XXXX-0YY	30u"/0.76u MIN (SEE NOTE 13) OVER 50u"/1.27u MIN Ni

NOTES

1. PART NUMBER OPTIONS:

PIN PLATING CODES (SEE ABOVE)

HIGH TEMP. MATERIAL:

PART NUMBERS WITH AND WITHOUT "H" WILL BE SUPPLIED WITH HIGH TEMPERATURE PLASTIC

NUMBER OF POSITIONS :

ANY NUMBER OF POSITIONS FROM 1 THRU 36. -X00H INDICATES BERGSTRIIP PRODUCT. SEE PAGE 3 FOR SPECIAL GEOMETRY OF THIS CONTINUOUS STRIP PRODUCT. AUTOMATED REELS WILL CONTAIN 36,000 PINS. SEE SPECIFIC PART NUMBERS FOR AVAILABILITY.

PACKAGING :

NO INDICATOR IS STANDARD PACKAGING IN POLY BAGS. EIGHT DIGIT PART NUMBERS FOLLOWED BY A "T" ARE PACKAGED IN TUBES. SEE SPECIFIC PART NUMBERS FOR AVAILABILITY. EIGHT DIGIT PART NUMBERS FOLLOWED BY A "C" ARE PACKAGED IN TUBES WITH PICKUP CAP APPLIED. (NOT TOOLED) BERGSTRIIP™ PART NUMBERS FOLLOWED BY A "B" ARE BULK PRICED. EIGHT DIGIT PART NUMBERS FOLLOWED BY A "A" ARE PACKAGED IN TAPE AND REEL WITH PICKUP CAP APPLIED.

LEAD FREE :

ADD "HLF" SUFFIX AT THE END OF PART NUMBER FOR LEAD FREE

2. BODY MATERIAL :

BERGSTIK: MANUFACTURER'S OPTION OF NYLON, PCT GLASS FIBER REINFORCED, OR LCP MINERAL FILLED FLAME RETARDENT PER UL-94V-0. COLOR : BLACK BERGSTRIIP™: PRODUCED WITH HIGH TEMPERATURE LCP THERMOPLASTIC, FLAME RETARDENT PER UL-94V-0. COLOR : BLACK

PART NUMBERS WITH AND WITHOUT "H" SUFFIX WILL WITHSTAND EXPOSURE TO 260°C PEAK TEMPERATURE FOR 20 SECONDS IN WAVE SOLDER, INFRA-RED OR VAPOR PHASE SOLDER PROCESS.

- 3. PIN MATERIAL : PHOS-BRONZE.
- 4. MEASURED WITH PART IN RESTRAINED CONDITION.
- 5. TWO SIDES OF PIN TIPS NOT PLATED. TYPICAL BOTH ENDS.
- 6. 2LBS/0.9KG MIN PIN RETENTION IN EITHER DIRECTION.
- 7. PIN CANNOT PROTRUDE PAST EDGE OF HOUSING. MUST BE .005±.005/.13±.13 FROM END OF HOUSING HOLE.
- 8. MILITARY BERGSTIK HEADER P/N XXXXX-YYY-MIL. NOT AVAILABLE.
- 9. ±.010/0.25 TOL APPLIES TO ALL "G" TAILS EXCEPT INDICATED PARTS ON TABLE WHERE +.010/0.25 -.000/0.00 APPLIES.
- 10. INDICATED PART NUMBERS ARE PRODUCED AND SOLD IN THE TAIWAN/SINGAPORE AREAS. THESE ARE NOT AVAILABLE IN BERGSTRIIP™ CONTINUOUS STRIP.
- 11. NOTCH CONFIGURATION WILL VARY PER VENDOR'S DISCRETION.
- 12. THESE PRODUCTS MEETS EUROPEAN UNION DIRECTIVES AND OTHER COUNTRY REGULATION AS DESCRIBED IN GS-22-008.
- 13. PLATING OPTIONS: PERFORMANCE PLATING WILL BE EITHER GOLD OR GXT ON POST OR TAIL, OPTIONALLY (78~295u"/2~7.5u) TIN ON TAIL.
- 14. "THIS PRODUCT HAS 100% TIN PLATING IN THE INTERFACE AND HAS NOT BEEN TESTED FOR WHISKER GROWTH IN ALL INTERCONNECT ENVIRONMENTS."
- 15. THE OAL DON'T EXCEED 34.5mm
- 16. INCREMENTS BY 0.1mm IN LENGTHS ONLY
- 17. FOR SPECIAL PACKAGING REQUEST PLEASE CONTACT PRODUCT MANAGER FOR AVAILABILITY
- 18. TO DETERMINE DIMENSIONS: N=NUMBER OF POSITION PER ROW EXAMPLE: 10 POS. N X .100/2.54



Copyright FCI.

www.fciconnect.com			surface <input checked="" type="checkbox"/> ISO 1302	tolerance std <input checked="" type="checkbox"/> ISO 406 <input type="checkbox"/> ISO 1101	projection	INCH/MM	
			TOLERANCES UNLESS OTHERWISE SPECIFIED				
Dr	T.BREWBAKER	01/05/95	ANGULAR	LINEAR	0.X	±0.3	size A4
Eng	T.HANNA	01/05/95			0.XX	±0.15	Scale 1.000
Chr	J.MURPHY	01/05/95	0°	±2°	0.XXX	±0.05	ECN ELX-N-011895
Appr	T.HANNA	01/05/95	Product family		BERGSTIK		Spec ref
			title		BERGSTIK® II HEADER .100/2.54cc SR STRAIGHT		dwg no 68000
			catalog no		CUSTOMER		Rev. CY
					sheet 2 of 8		

1

2

3

4

A

B

C

D

A

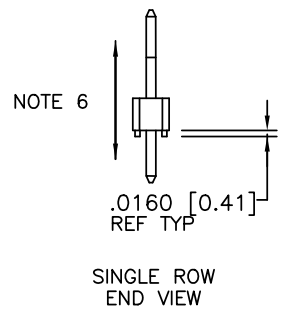
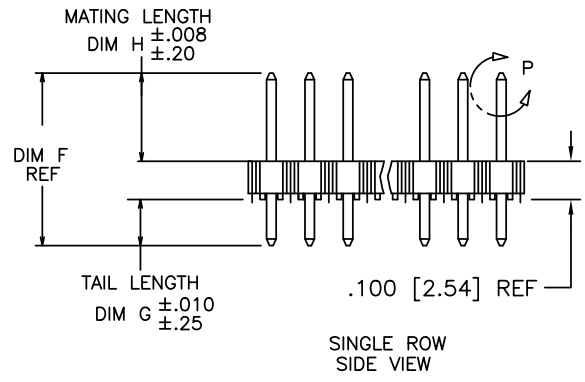
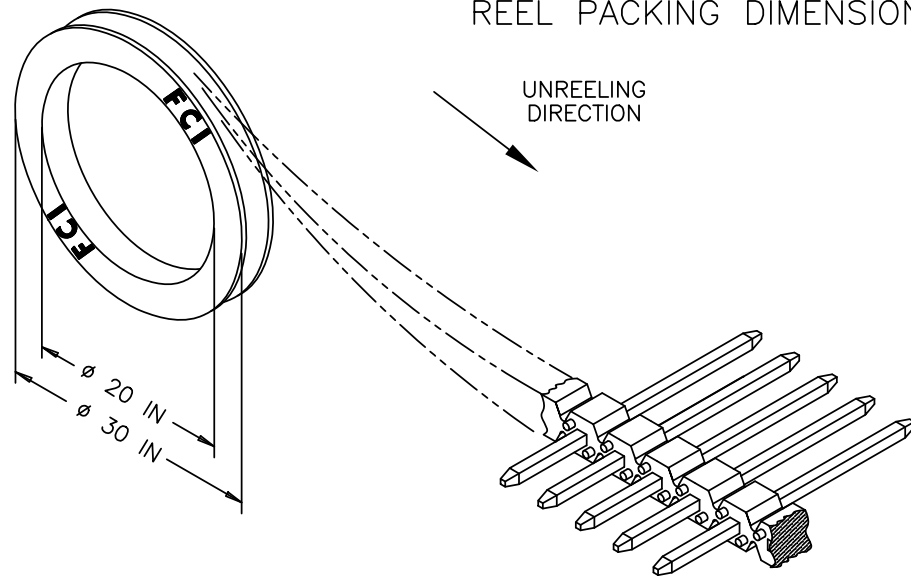
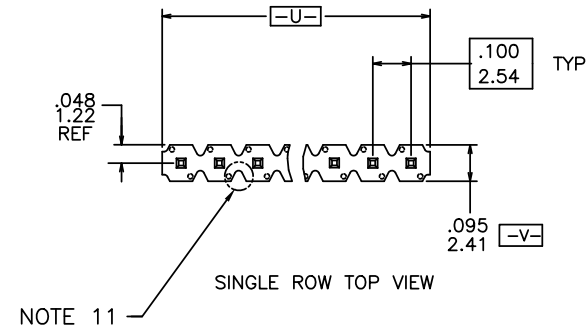
B

C

D

BERGSTRIK™ HEADER

REEL PACKING DIMENSIONS



Copyright FCI.

www.fciconnect.com			surface ISO 1302 ✓	tolerance std ISO 406 ISO 1101	projection ⊕	INCH/MM ↔	
TOLERANCES UNLESS OTHERWISE SPECIFIED			ANGULAR	LINEAR	0.X ±0.3	size A4	Scale 1.000
Dr	T.BREWBAKER	01/05/95	0°	±2°	0.XX ±0.15	ECN	ELX-N-011895
Eng	T.HANNA	01/05/95			0.XXX ±0.05	Spec ref	
Chr	J.MURPHY	01/05/95					
Appr	T.HANNA	01/05/95	Product family		BERGSTIK		
FCI			title		BERGSTIK® II HEADER .100/2.54cc SR STRAIGHT		dwg no 68000
			catalog no		CUSTOMER		Rev. CY
					sheet 3 of 8		

REV F - 2006-04-17

1

2

3

4

PDS: Rev :CY

STATUS:Released

Printed: Jun 14, 2012

PRODUCT NUMBER	TOTAL PIN LGTH		TAIL LENGTH		MATING LENGTH		PACKAGING	NOTES	BERGSTRIK™ AVAILABLE	LF OPTION
	DIM F	DIM F	DIM G	DIM G	DIM H	DIM H				
	ENGLISH	METRIC	ENGLISH	METRIC	ENGLISH	METRIC				
55492-XYH	0.315	8.00	0.095	2.41	0.120	3.05	POLY BAGS	-	NO	NOTE 1,12
60017-XYH	0.620	15.75	0.210	5.33	0.310	7.87	POLY BAGS	-	NO	
60018-XYH	0.660	16.76	0.250	6.35	0.310	7.87	POLY BAGS	-	NO	
63334-XYH	0.435	11.05	0.095	2.41	0.240	6.10	POLY BAGS	-	NO	
68000-XY	0.425	10.80	0.095	2.41	0.230	5.84	POLY BAGS	-	YES	
68001-XY	0.450	11.43	0.120	3.05	0.230	5.84	POLY BAGS/TUBES	-	YES	
68002-XY	0.480	12.19	0.150	3.81	0.230	5.84	POLY BAGS	-	YES	
68003-XY	0.525	13.34	0.195	4.95	0.230	5.84	POLY BAGS	-	NO	
68004-XY	0.525	13.34	0.107	2.72	0.318	8.08	POLY BAGS	-	YES	
68024-XY	0.568	14.43	0.150	3.81	0.318	8.08	POLY BAGS	-	YES	
68031-XY	0.513	13.03	0.183	4.65	0.230	5.84	POLY BAGS	-	NO	
68032-XY	0.543	13.79	0.213	5.41	0.230	5.84	POLY BAGS	-	NO	
68033-XY	0.708	17.98	0.473	12.01	0.135	3.43	POLY BAGS	-	NO	
68415-XY	0.615	15.62	0.115	2.92	0.400	10.16	POLY BAGS	-	NO	
68416-XY	0.813	20.65	0.483	12.27	0.230	5.84	POLY BAGS	-	NO	
68418-XY	0.730	18.54	0.400	10.16	0.230	5.84	POLY BAGS	-	NO	
68422-XY	0.631	16.03	0.213	5.41	0.318	8.08	POLY BAGS	-	NO	
68443-XY	0.755	19.18	0.425	10.80	0.230	5.84	POLY BAGS	-	NO	
68456-XY	0.825	20.96	0.115	2.92	0.610	15.49	POLY BAGS	-	NO	
68457-XY	0.548	13.92	0.130	3.30	0.318	8.08	POLY BAGS	-	NO	
68465-XY	0.925	23.50	0.595	15.11	0.230	5.84	POLY BAGS	-	NO	
68466-XY	0.925	23.50	0.128	3.25	0.697	17.70	POLY BAGS	-	NO	
68472-XY	0.913	23.19	0.413	10.49	0.400	10.16	POLY BAGS	-	NO	
68479-XY	0.718	18.24	0.388	9.86	0.230	5.84	POLY BAGS	-	NO	
68483-XY	0.835	21.21	0.417	10.59	0.318	8.08	POLY BAGS	-	NO	
68487-XY	0.705	17.91	0.110	2.79	0.495	12.57	POLY BAGS	-	NO	
68489-XY	1.095	27.81	0.765	19.43	0.230	5.84	POLY BAGS	-	NO	
68490-XY	1.025	26.04	0.695	17.65	0.230	5.84	POLY BAGS	-	NO	
68497-XY	0.612	15.54	0.085	2.16	0.427	10.85	POLY BAGS	-	NO	
68603-XY	0.555	14.10	0.120	3.05	0.335	8.51	POLY BAGS	-	NO	
68604-XY	0.600	15.24	0.120	3.05	0.380	9.65	POLY BAGS	-	NO	

NOTE 1,12



Copyright FCI.

www.fciconnect.com			surface ISO 1302 <input checked="" type="checkbox"/>	tolerance std ISO 406 ISO 1101	projection 	INCH/MM ←→	
			TOLERANCES UNLESS OTHERWISE SPECIFIED				
Dr	T.BREWBAKER	01/05/95	ANGULAR	LINEAR	0.X	±0.3	size A4
Eng	T.HANNA	01/05/95			0.XX	±0.15	
Chr	J.MURPHY	01/05/95			0.XXX	±0.05	
Appr	T.HANNA	01/05/95	Product family		BERGSTIK	ECN ELX-N-011895	
title			BERGSTIK® II HEADER		dwg no		Rev.
catalog no			.100/2.54cc SR STRAIGHT		68000		CY
						CUSTOMER	sheet 4 of 8

1

2

3

4

PRODUCT NUMBER	TOTAL PIN LGTH		TAIL LENGTH		MATING LENGTH		PACKAGING	NOTES	BERGSTRIPTM	LF OPTION
	DIM F	DIM F	DIM G	DIM G	DIM H	DIM H			AVAILABLE	
	ENGLISH	METRIC	ENGLISH	METRIC	ENGLISH	METRIC				
68629-XY	0.621	15.77	0.203	5.16	0.318	8.08	POLY BAGS	-	NO	NOTE 1,12
68630-XY	0.603	15.32	0.273	6.93	0.230	5.84	POLY BAGS	-	NO	
68631-XY	0.703	17.86	0.203	5.16	0.400	10.16	POLY BAGS	-	NO	
68632-XY	0.743	18.87	0.413	10.49	0.230	5.84	POLY BAGS	-	NO	
68633-XY	0.643	16.33	0.225	5.72	0.318	8.08	POLY BAGS	-	NO	
68634-XY	1.013	25.73	0.683	17.35	0.230	5.84	POLY BAGS	-	NO	
68642-XY	0.913	23.19	0.583	14.81	0.230	5.84	POLY BAGS	-	NO	
68652-XY	1.470	37.34	0.670	17.02	0.700	17.78	POLY BAGS	-	NO	
68653-XY	0.735	18.67	0.095	2.41	0.540	13.72	POLY BAGS	-	NO	
68654-XY	1.050	26.67	0.670	17.02	0.280	7.11	POLY BAGS	-	NO	
68655-XY	0.708	17.98	0.290	7.37	0.318	8.08	POLY BAGS	-	NO	
68656-XY	1.113	28.27	0.613	15.57	0.400	10.16	POLY BAGS	-	NO	
68657-XY	0.588	14.94	0.368	9.35	0.120	3.05	POLY BAGS	-	NO	
68658-XY	0.820	20.83	0.130	3.30	0.590	14.99	POLY BAGS	-	NO	
68659-XY	0.608	15.44	0.398	10.11	0.110	2.79	POLY BAGS	-	NO	
68686-XY	1.016	25.81	0.458	11.63	0.458	11.63	POLY BAGS	-	NO	
68689-XY	0.913	23.19	0.213	5.41	0.600	15.24	POLY BAGS	-	NO	
68705-XY	0.395	10.03	0.095	2.41	0.200	5.08	POLY BAGS	-	NO	
68717-XY	0.615	15.62	0.285	7.24	0.230	5.84	POLY BAGS	-	NO	
68730-XY	0.555	14.10	0.225	5.72	0.230	5.84	POLY BAGS	-	NO	
68731-XY	0.880	22.35	0.440	11.18	0.340	8.64	POLY BAGS	-	NO	
68735-XY	1.016	25.81	0.520	13.21	0.396	10.06	POLY BAGS	-	NO	
68755-XY	1.166	29.62	0.533	13.54	0.533	13.54	POLY BAGS	-	NO	
68760-XY	0.803	20.40	0.353	8.97	0.350	8.89	POLY BAGS	-	NO	
68762-XY	0.588	14.94	0.213	5.41	0.275	6.99	POLY BAGS	-	NO	
68771-XY	0.470	11.94	0.100	2.54	0.270	6.86	POLY BAGS	-	NO	
68781-XY	0.691	17.55	0.273	6.93	0.318	8.08	POLY BAGS	-	NO	
										NOTE 1,12



Copyright FCI.

www.fciconnect.com			surface ISO 1302 <input checked="" type="checkbox"/>	tolerance std ISO 406 ISO 1101	projection 	INCH/MM ←→		
			TOLERANCES UNLESS OTHERWISE SPECIFIED					
Dr	T.BREWBAKER	01/05/95	ANGULAR	LINEAR	0.X	±0.3	size A4	Scale 1.000
Eng	T.HANNA	01/05/95			0.XX	±0.15		
Chr	J.MURPHY	01/05/95			0.XXX	±0.05		
Appr	T.HANNA	01/05/95	Product family		BERGSTIK	Spec ref		ELX-N-011895
			title BERGSTIK® II HEADER .100/2.54cc SR STRAIGHT			dwg no 68000		Rev. CY
			catalog no			CUSTOMER		sheet 5 of 8

REV F - 2006-04-17

1

2

3

4

PDS: Rev :CY

STATUS:Released

Printed: Jun 14, 2012

1

2

3

4

PRODUCT NUMBER	TOTAL PIN LGTH		TAIL LENGTH		MATING LENGTH		PACKAGING	NOTES	BERGSTRIPTM AVAILABLE	LF OPTION
	DIM F	DIM F	DIM G	DIM G	DIM H	DIM H				
	ENGLISH	METRIC	ENGLISH	METRIC	ENGLISH	METRIC				
68795-XY	0.500	12.70	0.062	1.57	0.338	8.59	POLY BAGS	-	NO	NOTE 1,12
68796-XY	0.633	16.08	0.423	10.74	0.110	2.79	POLY BAGS	-	NO	
68797-XY	0.413	10.49	0.213	5.41	0.100	2.54	POLY BAGS	-	NO	
69148-XY	0.442	11.43	0.000	0.00	0.350	8.89	POLY BAGS	-	NO	
69152-XY	0.720	18.29	0.120	3.05	0.500	12.70	POLY BAGS/TUBES	-	NO	
69173-XY	0.530	13.46	0.135	3.43	0.295	7.49	POLY BAGS	-	NO	
69188-XY	0.751	19.08	0.333	8.46	0.318	8.08	POLY BAGS	-	NO	
69751-XY	0.440	11.18	0.170	4.32	0.170	4.32	POLY BAGS	NOTE 10	NO	
71417-XY	0.664	16.87	0.115	2.92	0.449	11.40	POLY BAGS	NOTE 10	NO	
72260-XYH	0.930	23.62	0.090	2.29	0.740	18.80	POLY BAGS	-	NO	
72323-XYH	1.200	30.48	0.100	2.54	1.000	25.40	POLY BAGS	-	NO	
72457-XYH	1.100	27.94	0.090	2.29	0.910	23.11	POLY BAGS	-	NO	
73698-XYH	1.100	27.94	0.120	3.05	0.880	22.35	POLY BAGS	-	NO	
74464-XYH	1.028	26.11	0.610	15.49	0.318	8.08	POLY BAGS	-	NO	
78240-XY	0.663	16.84	0.333	8.46	0.230	5.84	POLY BAGS	-	NO	
78287-XY	0.678	17.22	0.120	3.05	0.458	11.63	POLY BAGS	-	NO	
78290-XY	1.250	31.75	0.500	12.70	0.650	16.51	POLY BAGS	-	NO	
78511-XY	0.538	13.67	0.120	3.05	0.318	8.08	POLY BAGS/TUBES	-	YES	
78595-XY			NOT AVAILABLE					-	-	
78931-XY			NOT AVAILABLE					-	-	
78958-XY			NOT AVAILABLE					-	-	
78959-XY			NOT AVAILABLE					-	-	
78977-XY			NOT AVAILABLE					-	-	
78998-XY	0.430	10.92	0.155	3.94	0.175	4.45	POLY BAGS	-	NO	
78999-XY			NOT AVAILABLE					-	-	
79428-XY	0.695	17.65	0.120	3.05	0.475	12.07	POLY BAGS	-	NO	
79849-XY	0.620	15.75	0.120	3.05	0.400	10.16	POLY BAGS	-	NO	



Copyright FCI.

www.fciconnect.com			surface ISO 1302	<input checked="" type="checkbox"/>	tolerance std ISO 406 ISO 1101	projection 	INCH/MM 					
			TOLERANCES UNLESS OTHERWISE SPECIFIED									
Dr	T.BREWBAKER	01/05/95	ANGULAR	LINEAR	0.X	±0.3	size	A4	Scale	1.000		
Eng	T.HANNA	01/05/95			0.XX	±0.15						
Chr	J.MURPHY	01/05/95	0°	±2°	0.XXX	±0.05	ECN	ELX-N-011895				
Appr	T.HANNA	01/05/95	Product family		BERGSTIK		Spec ref					
			title			BERGSTIK® II HEADER		dwg no		68000	Rev.	CY
			catalog no			CUSTOMER		sheet 6 of 8				

REV F - 2006-04-17

1

2

3

PDS: Rev :CY

STATUS:Released

Printed: Jun 14, 2012

PRODUCT NUMBER	TOTAL PIN LGTH		TAIL LENGTH		MATING LENGTH		PACKAGING	NOTES	BERGSTRIPTM AVAILABLE	LF OPTION
	DIM F	DIM F	DIM G	DIM G	DIM H	DIM H				
	ENGLISH	METRIC	ENGLISH	METRIC	ENGLISH	METRIC				
84918-XYH	0.340	8.64	0.120	3.05	0.120	3.05	POLY BAGS	-	YES	NOTE 1,12
84921-XYH	0.370	9.40	0.150	3.81	0.120	3.05	POLY BAGS	-	YES	
86506-XY	0.440	11.18	0.120	3.05	0.220	5.59	POLY BAGS	-	YES	
86579-XY	0.450	11.43	0.120	3.05	0.230	5.84	POLY BAGS	NOTE 9	NO	
86634-XY		NOT	AVAILABLE					-	-	
86635-XY		NOT	AVAILABLE					-	-	
86636-XY		NOT	AVAILABLE					-	-	
86637-XY		NOT	AVAILABLE					-	-	
86638-XY		NOT	AVAILABLE					-	-	
86793-XY	0.900	22.86	0.100	2.54	0.700	17.78	POLY BAGS	NOTE 10	NO	
86899-XY	1.020	25.91	0.120	3.05	0.800	20.32	POLY BAGS	-	NO	
87185-XY	1.238	31.45	0.095	2.41	1.043	26.49	POLY BAGS	NOTE 10	NO	
87204-XY	0.895	22.73	0.120	3.05	0.675	17.15	POLY BAGS	-	NO	
87241-XY	1.000	25.40	0.120	3.05	0.780	19.81	POLY BAGS	-	NO	
87502-XYH	1.130	28.70	0.110	2.79	0.920	23.37	POLY BAGS	-	NO	
87827-XY	0.380	9.65	0.120	3.05	0.160	4.06	POLY BAGS	-	NO	
87916-XY	1.058	26.87	0.128	3.25	0.830	21.08	POLY BAGS	-	NO	
88005-XY	0.536	13.61	0.095	2.41	0.341	8.66	POLY BAGS	NOTE 10	NO	
88706-XY	0.900	22.86	0.100	2.54	0.700	17.78	POLY BAGS	-	NO	
89232-XY	0.325	8.26	0.000	0.00	0.230	5.84	POLY BAGS	NOTE 7	NO	NOTE 1,12

A

B

C

D

A

B

C

D



Copyright FCI.

www.fciconnect.com			surface ISO 1302 <input checked="" type="checkbox"/>	tolerance std ISO 406 ISO 1101	projection 	INCH/MM 	
TOLERANCES UNLESS OTHERWISE SPECIFIED			TOLERANCES UNLESS OTHERWISE SPECIFIED		size A4		Scale 1.000
Dr	T.BREWBAKER	01/05/95	ANGULAR	LINEAR	0.X	±0.3	ECN ELX-N-011895
Eng	T.HANNA	01/05/95			0.XX	±0.15	
Chr	J.MURPHY	01/05/95	0°	±2°	0.XXX	±0.05	Spec ref
Appr	T.HANNA	01/05/95	Product family BERGSTIK		68000		
			title BERGSTIK® II HEADER .100/2.54cc SR STRAIGHT		dwg no 68000		Rev. CY
catalog no			CUSTOMER		sheet 7 of 8		

1

2

3

4

PRODUCT NUMBER	TOTAL PIN LGTH		TAIL LENGTH		MATING LENGTH		PACKAGING	NOTES	BERGSTRIPTM	LF OPTION
	DIM F	DIM F	DIM G	DIM G	DIM H	DIM H			AVAILABLE	
	ENGLISH	METRIC	ENGLISH	METRIC	ENGLISH	METRIC				
90522-XY	0.668	16.97	0.135	3.43	0.433	11.00	POLY BAGS	NOTE 10	NO	NOTE 1,12
90547-XY	0.508	12.90	0.095	2.41	0.313	7.95	POLY BAGS	NOTE 10	NO	
90719-XY	0.384	9.75	0.106	2.69	0.178	4.52	POLY BAGS	-	NO	
90726-XY	0.440	11.18	0.110	2.79	0.230	5.84	POLY BAGS	-	YES	
91276-XY	1.225	31.12	0.225	5.72	0.900	22.86	POLY BAGS	-	NO	
92020-XY	0.372	9.45	0.094	2.39	0.178	4.52	POLY BAGS	-	NO	
92418-XY	0.572	14.53	0.118	3.00	0.354	8.99	POLY BAGS	-	NO	
93167-XY	0.394	10.01	0.059	1.50	0.235	5.97	POLY BAGS	-	NO	
93287-XYH	0.585	14.86	0.085	2.16	0.400	10.16	POLY BAGS	-	NO	
93944-XY	0.941	23.90	0.130	3.30	0.711	18.06	POLY BAGS	-	NO	
93992-XYH	0.415	10.54	0.085	2.16	0.230	5.84	POLY BAGS	-	NO	
94063-XY	0.376	9.55	0.138	3.51	0.138	3.51	POLY BAGS	NOTE 10	NO	
94094-XY	0.592	15.04	0.314	7.98	0.178	4.52	POLY BAGS	-	NO	
94544-XY	0.550	13.97	0.130	3.30	0.330	8.38	POLY BAGS	NOTE 10	NO	
94611-XYH	0.320	8.13	0.095	2.41	0.125	3.18	POLY BAGS	-	NO	
95017-XYH	0.560	14.22	0.060	1.52	0.400	10.16	POLY BAGS	-	NO	
95103-XY	1.064	27.03	0.433	11.00	0.531	13.49	POLY BAGS	NOTE 10	NO	
95104-XY	0.370	9.40	0.126	3.20	0.144	3.66	POLY BAGS	NOTE 10	NO	
95648-XYH	0.655	16.64	0.155	3.94	0.400	10.16	POLY BAGS	-	NO	
95655-XY	1.164	29.57	0.095	2.41	0.969	24.61	POLY BAGS	NOTE 10	NO	
98001-XYH	0.610	15.49	0.420	10.67	0.090	2.29	POLY BAGS	-	NO	
98136-XYH	0.475	12.07	0.095	2.41	0.280	7.11	POLY BAGS	-	NO	
10004394-XYH	0.290	7.37	0.095	2.41	0.095	2.41	POLY BAGS	-	NO	
10076764-XYH	0.479	12.19	0.114	2.9	0.265	6.75	POLY BAGS	-	YES	
10103017-XY	0.335	8.51	0.130	3.30	0.105	2.67	POLY BAGS	-	NO	
10121349-XY	0.626	15.9	0.120	3.05	0.406	10.3	POLY BAGS/TAPE REEL	-	NO	NOTE 1,12



Copyright FCI.

D

www.fciconnect.com			surface ISO 1302	<input checked="" type="checkbox"/>	tolerance std ISO 406 ISO 1101	projection 	INCH/MM 	
			TOLERANCES UNLESS OTHERWISE SPECIFIED					
Dr	T.BREWBAKER	01/05/95	ANGULAR	LINEAR	0.X	±0.3	size A4	Scale 1.000
Eng	T.HANNA	01/05/95			0.XX	±0.15	ECN ELX-N-011895	
Chr	J.MURPHY	01/05/95	0°	±2°	0.XXX	±0.05	Spec ref	
Appr	T.HANNA	01/05/95	Product family BERGSTIK					
	title BERGSTIK® II HEADER .100/2.54cc SR STRAIGHT				dwg no 68000		Rev. CY	
catalog no				CUSTOMER		sheet 8 of 8		

REV F - 2006-04-17

1

2

3

PDS: Rev :CY

STATUS:Released

Printed: Jun 14, 2012