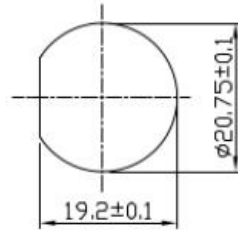




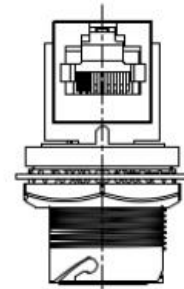
Notes: (Unless Otherwise Specified)

1. Waterproof Rate: IP68.
2. Recommend Panel Thickness: 0.8 to 8.0 mm.
3. Recommend Torque: 19~20 Kgf-cm.
4. Mating Cap P/N: 125-7926
5. RoHS Compliant.

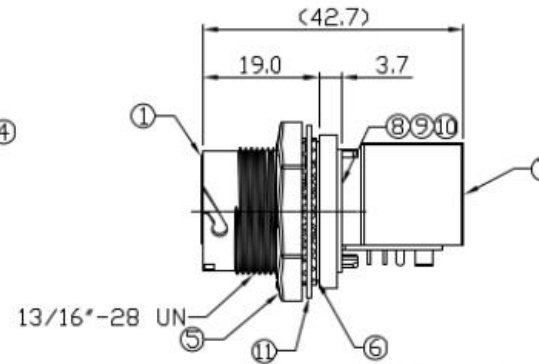
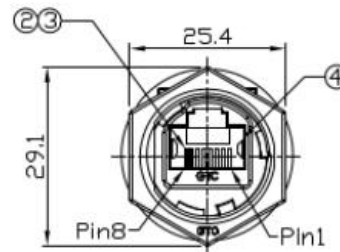


Recommend Panel Cut-Out

REV	ECN#	DESCRIPTION OF REVISION	DRAW BY DATE	CHECK BY DATE	APPROVE BY DATE
A0		Mass Production	Joyce 09/13/11	Lucas 09/13/11	Ray 09/13/11
A1	ECN-111202	Add C3 Metal Washer , Marked	Joyce 12/14/11	Lucas 12/14/11	Ray 12/14/11



11	Washer	Stainless Finish: —	1
10	Glue	Epoxy Color: Black	
9	PCB	FR-4 Color: —	1
8	Holder	Threnoplastic Color: Black	1
7	RJ45 Receptacle	Shell: Copper Alloy; Finish: Ni Plated Housing: Threnoplastic; Color: Black Contacts: Copper Alloy; Finish: Au Plated	1
6	O-Ring	Silicone Color: Red	1
5	Hex Nut	Zn Alloy Finish: Ni Plated	1
4	EMI Shielded Plate	Copper Alloy Finish: Ni Plated	2
3	Holder	Threnoplastic Color: Black	1
2	RJ45 Receptacle	Housing: Threnoplastic; Color: Gray Contacts: Copper Alloy; Finish: Au Plated	1
1	Housing	Zn Alloy Finish: Ni Plated	1
Item	Part Name	Material / Finish	Qty



Mating Parts:  
111-6741  
111-6742  
111-6743

TITLE									
RJ45 Metal C3 Shielded Panel Jack Lock With Coupler 90°									
	B	1:1	Karen 06/03/09	Ray 06/03/09	Ray 06/03/09	X.X ± 0.5 X.XX ± 0.2	X.XXX ± 0.05 ANGLES ± 1°	mm	1/1
THIRD ANGLE PROJECTION	SIZE	SCALE	DRAW / DATE	CHECK / DATE	APPROVE / DATE	TOLERANCES		UNIT	SHEET

RS Stock No  
111-6745