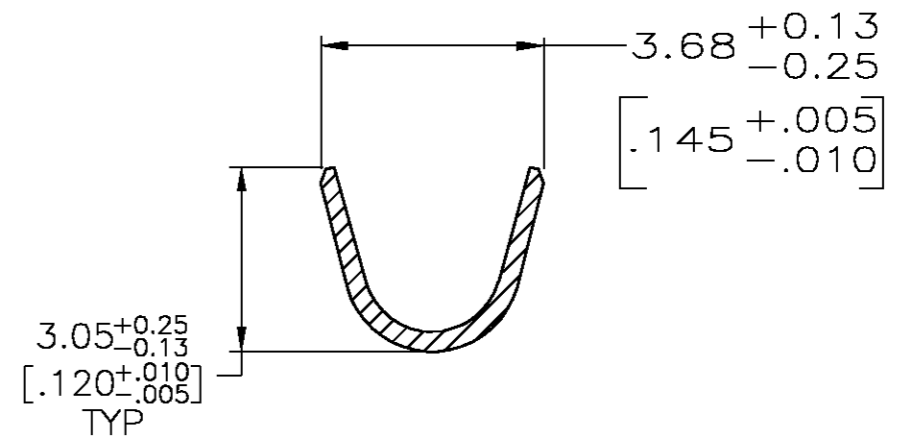
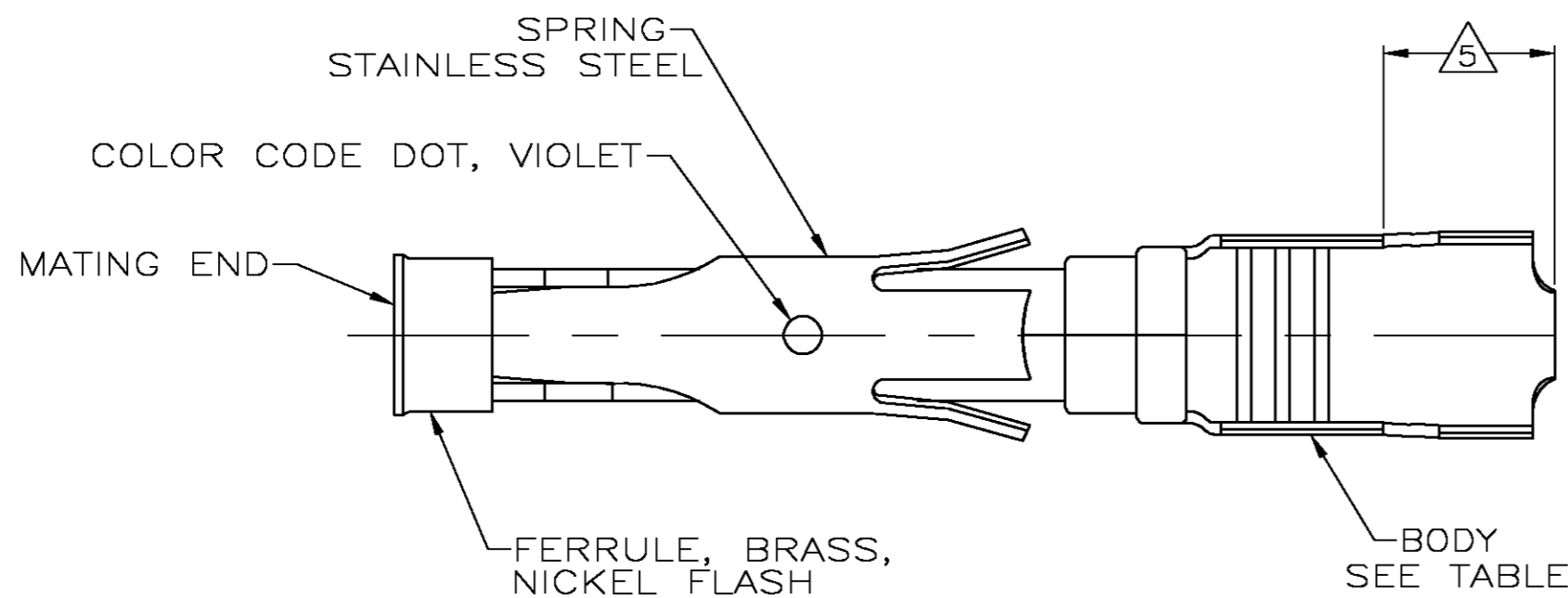
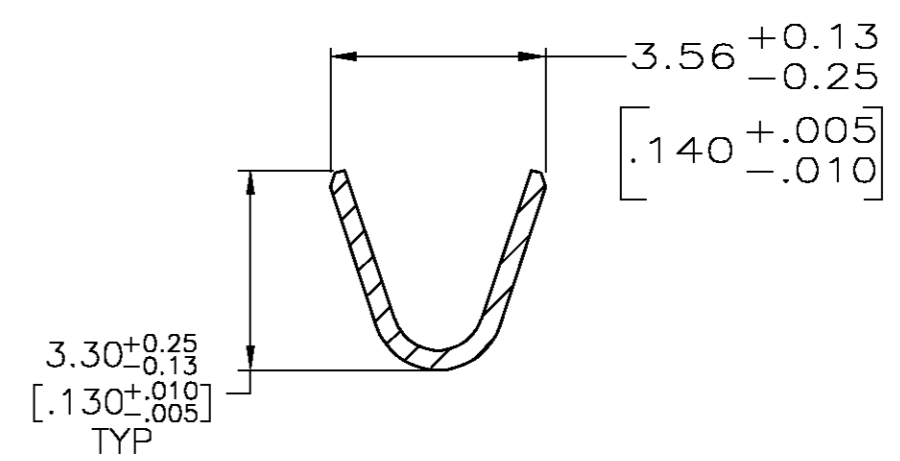
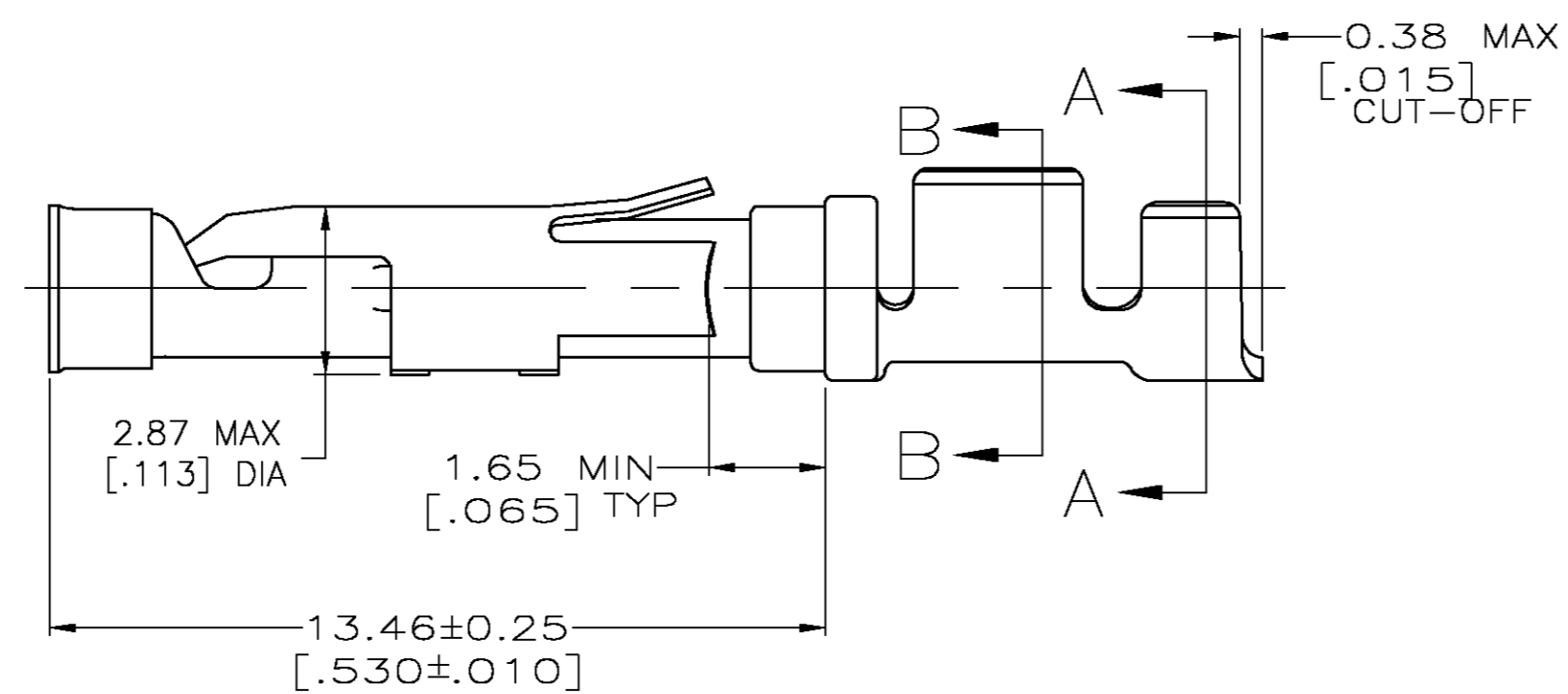
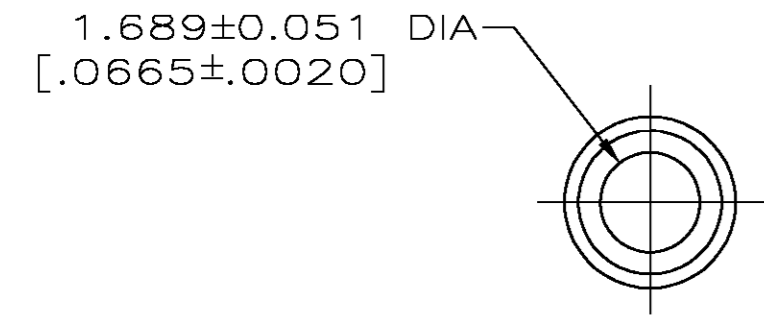


THIS DRAWING IS UNPUBLISHED. RELEASED FOR PUBLICATION
 © COPYRIGHT BY TYCO ELECTRONICS CORPORATION. ALL RIGHTS RESERVED.

LOC		DIST		REVISIONS			
P	LTR	DESCRIPTION	DATE	DWN	APVD		
FT	0	H	REVISED PER 0G3B-0956-04	11/18/04	SS	GS	



SECTION A-A



SECTION B-B

- ① 0.76 μm [.000030] MIN GOLD PER MIL-G-45204 ON MATING END FOR A LENGTH OF 5.08 [.200] MIN WITH GOLD FLASH ON THE REMAINDER OVER 0.76 μm [.000030] MIN NICKEL PER QQ-N-290.
- ② 1.27 μm [.000050] MIN TIN-LEAD PER MIL-T-10727 OVER 0.76 μm [.000030] MIN NICKEL PER QQ-N-290.
- ③ 0.76 μm [.000030] MIN GOLD PER MIL-G-45204 ON MATING END FOR A LENGTH OF 5.08 [.200] MIN WITH A UNIFORM GRADIENT TO 0.25 μm [.000010] MIN GOLD PER MIL-G-45204 ON THE REMAINDER OVER 0.76 μm [.000030] MIN NICKEL PER QQ-N-290.
- ④ 0.38 μm [.000015] MIN GOLD PER MIL-G-45204 ON MATING END FOR A LENGTH OF 5.08 [.200] MIN WITH GOLD FLASH ON THE REMAINDER OVER 0.76 μm [.000030] MIN NICKEL PER QQ-N-290.
- ⑤ GOLD PLATING NOT REQUIRED IN THIS AREA.
- ⑥ WIRE RANGE 18-14 AWG. INSULATION RANGE 2.03 [.080]-2.54 [.100].
- ⑦ 0.38 μm [.000015] MIN GOLD PER MIL-G-45204 ON MATING END FOR A LENGTH OF 5.08 [.200] MIN, 1.27 μm [.000050] MIN TIN-LEAD PER MIL-T-10727 FOR A LENGTH OF 5.69 [.224] MIN ON OPPOSITE END, BOTH OVER 1.27 μm [.000050] MIN NICKEL PER QQ-N-290 ON ENTIRE CONTACT.
- ⑧ 1.27 μm [.000050] MIN TIN PER MIL-T-10727 OVER 0.76 μm [.000030] MIN NICKEL PER QQ-N-290.

PACKAGING	BODY FINISH	BODY MATERIAL	STRIP P/N REF	PART NUMBER	
STANDARD	⑧	CU-NI ALLOY	2-66358-1	1-66360-6	
STANDARD	②	CU-NI ALLOY	2-66358-0	1-66360-5	
STANDARD	①	CU-NI ALLOY	1-66358-9	1-66360-4	
SMALL PACK	⑧	BRASS	1-66358-6	1-66360-3	
STANDARD	⑧	BRASS	1-66358-6	1-66360-2	
SMALL PACK	①	BRASS	66358-4	1-66360-1	
SMALL PACK	②	BRASS	66358-2	1-66360-0	
OBSOLETE	STANDARD	⑦	BRASS	1-66358-5	66360-9
OBSOLETE	STANDARD	①	PHOSPHOR BRONZE	1-66358-3	66360-8
OBSOLETE	STANDARD	②	PHOSPHOR BRONZE	1-66358-2	66360-7
STANDARD	①	BRASS	66358-4	66360-4	
STANDARD	④	BRASS	66358-3	66360-3	
STANDARD	②	BRASS	66358-2	66360-2	
STANDARD	③	BRASS	66358-1	66360-1	

THIS DRAWING IS A CONTROLLED DOCUMENT.

DWN L.SIPE 06/03/92	Tyco Electronics Corporation Harrisburg, Pa 17105-3608
CHK W.LENKER 6-11-92	
APVD G.STEINHAUER 7-8-92	
PRODUCT SPEC	
MATERIAL SEE CALLOUTS	NAME: SOCKET ASSEMBLY, LOOSE PIECE, TYPE III+ SIZE: A2 CAGE CODE: 00779 DRAWING NO: C=66360 WEIGHT: - SCALE: 8:1 SHEET 1 OF 1 REV H

RESTRICTED TO