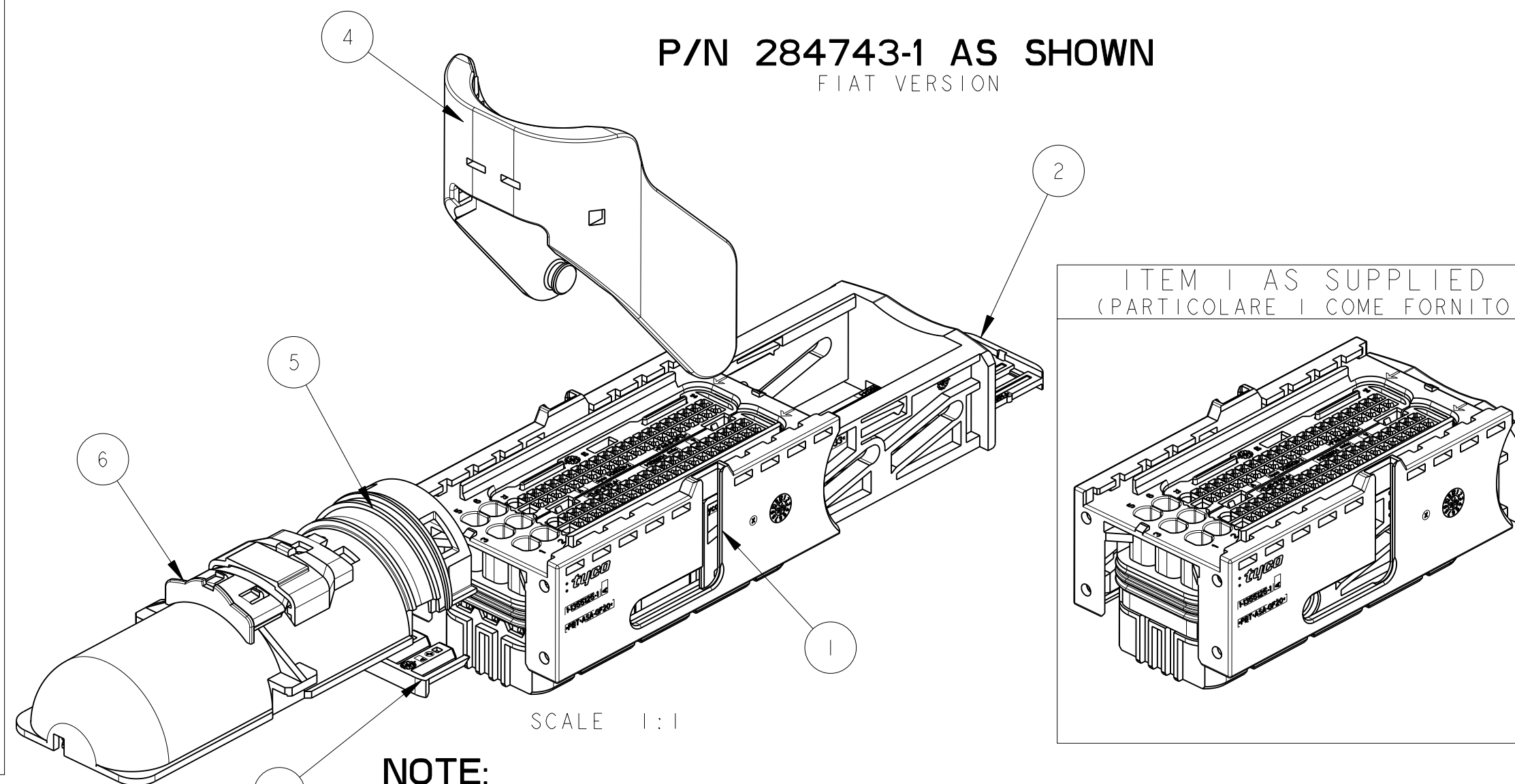
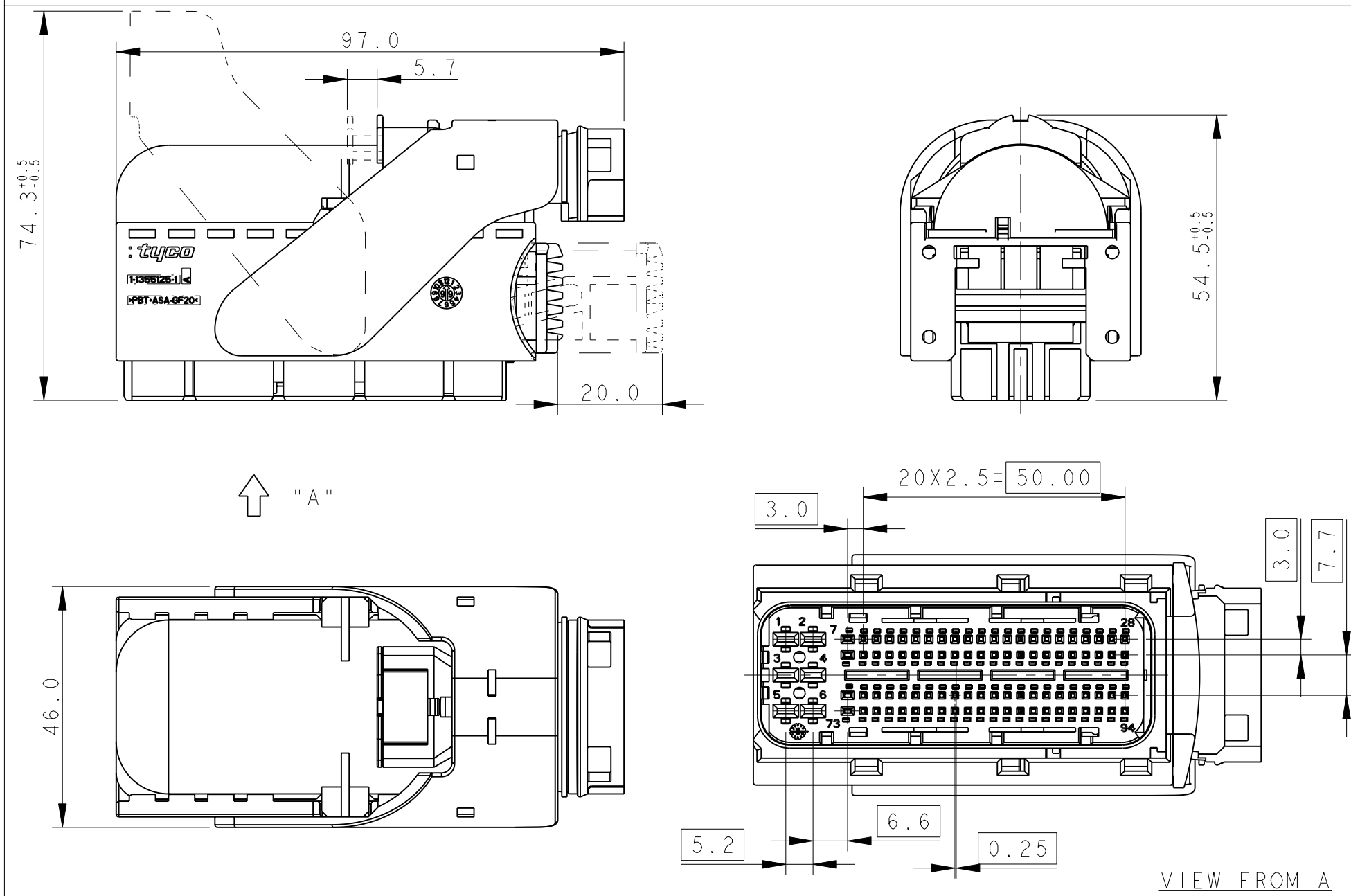


THIS DRAWING IS UNPUBLISHED. QUESTO DISEGNO NON DEVE ESSERE DIVULGATO O RIPRODOTTO. RELEASED FOR PUBLICATION E' CONSENTITA LA DIVULGAZIONE. 2002
 BY TYCO ELECTRONICS CORPORATION. ALL RIGHTS RESERVED. INTERNAZIONALE TUTTI I DIRITTI RISERVATI.

LOC	DIST	REVISIONS			
P	LTR REV	DESCRIPTION	DATE	DWN DIS.	APVD APP.
	D2	UPDATED DRAWING	01DEC2004	M.P.	O.C.
	E	ECR-10-022267	09NOV2010	D.B.	M.G.
	E1	ECR-10-024897	03DEC2010	D.B.	M.G.

CONNECTOR OVERALL DIMENSIONS WITH COVER KIT AND LEVER ASSEMBLED
 (DIMENSIONI DI INGOMBRO CONNETTORE CON KIT COPERCHIO E LEVA MONTATI)

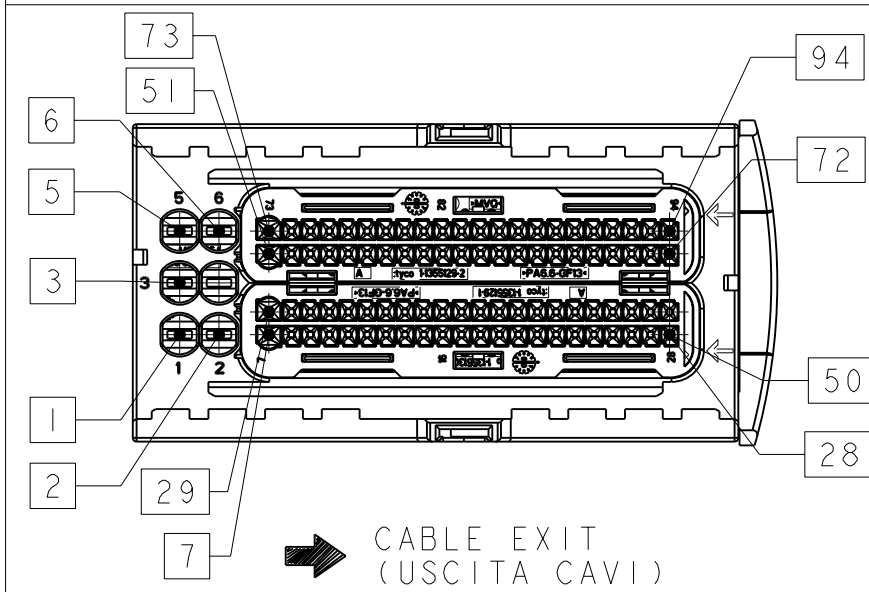


NOTE:

- CONNECTOR IS SUITABLE TO BE MATED WITH COUNTERPART P/N 284617-1 (IL CONNETTORE SI ACCOPPIA CON LA CONTROPARTE P/N 284617-1)
- CONNECTOR CAVITIES ARE SUITABLE FOR CONTACTS: (LE CAVITA' DEL CONNETTORE SONO ADATTE PER CONTATTI:):
 - MQS Clean Body contact WSR 0.2-0.5 mm² P/N 968220-1
 - MQS Clean Body contact WSR 0.75 mm² P/N 968221-1
 - 1.5 MQS Clean Body contact WSR 0.5 mm² P/N 1452158-1
 - 1.5 MQS Clean Body contact WSR 0.75-1.5 mm² P/N 1241608-1
 - 2.8K MCP Contacts SWS, WSR 0.5-1.0 mm² P/N 1241394-1
 - WSR > 1-2.5 mm² P/N 1241396-1

SINGLE WIRE SEAL FOR MCP 2.8K (GOMMINI PASSACAVO PER TERMINALI MCP 2.8K):
 P/N 963294-1 FOR WSR 0.35-1.0 mm²;
 P/N 963293-1 FOR WSR 1.5 mm²;
 P/N 963292-1 FOR WSR 2.5 mm².
- TO CLOSE UNUSED CAVITIES: (PER CHIUDERE LE 'CAVITA' NON UTILIZZATE)
 - P/N 284583-1 for MQS Clean Body contacts cavities
 - P/N 1394872-1 for 1.5 mm Clean Body contact cavities
 - P/N 828922-1 for 2.8K MCP contact cavities
- ITEM 2, 3 AND 4 ARE SUPPLIED NOT ASSEMBLED IN THE SAME PACKAGE. (-I PARTICOLARI 2,3 AND 4 SONO FORNITI NON ASSEMBLATI NELLA STESSA CONFEZIONE.)
- ITEMS 5 AND 6 ARE SUPPLIED PRE-ASSEMBLED, IN THE SAME PACKAGE. (-I PARTICOLARI 5 E 6 SONO FORNITI PRE-ASSEMBLATI NELLA STESSA CONFEZIONE)
- ITEMS 5 IS SUPPLIED NOT ASSEMBLED IN THE SAME PACKAGE
 ITEM 6 IS NOT SUPPLIED (-L'ITEM 5 E' FORNITO NON ASSEMBLATO NELLA STESSA CONFEZIONE, L'ITEM 6 NON E' FORNITO.)

VISTA LATO INSERIMENTO CONTATTI
 (CONTACT INSERT SIDE VIEW)



CAVITIES POSITION
 (POSIZIONE IN CAVITA')

CONTACT P/N (P/N CONTATTO)	POSITION (POSIZIONE)
968220-1 & 968221-1	8 to 28; 30 to 50; 52 to 72; 74 to 94
1452158-1 & 1241608-1	7, 29, 51, 73
1241394-1 & 1241396-1	1 to 6

QTY.	QTY.	RAW MATERIALS	COLOURS	REV	DESCRIPTION	ITEM
		Materiali	Colori		Descrizione	Pos.
-	1	PA6.6 GF30	YELLOW	/	C.P.A. Disp. controllo aggancio leva	6
1	1	PA6.6 GF13	BLACK	/	COVER / Coperchio	5
1	1	PA6.6 GF30	BLACK	/	LEVER / leva	4
1	1	PA6.6 GF30	VIOLET	/	SECONDARY LOCK 6 POSN. Disp. Ritenz. secondaria, 6 pos.	3
1	1	PA6.6 GF30	VIOLET	/	SECONDARY LOCK 88 POSN. Disp. Ritenz. secondaria, 88 pos.	2
1	1	PA6.6 GF30/PBT+ASA-GF20 PA6.6 GF13 + GF33 SILICON	BLACK/LIGHT BROWN: HOUSING YELLOW: PERIPHERAL SEAL RED-BROWN: FAMILY SEAL	/	CARRIER HSG. / Corpo connettore	1
284743-2 (NOTE 6)	284743-1 (NOTE 5)	PART-NO. Codice				
E	E	REV				

THIS DRAWING IS A CONTROLLED DOCUMENT FOR TYCO ELECTRONICS CORPORATION. IT IS SUBJECT TO CHANGE AND THE CONTROLLING ENGINEERING ORGANIZATION SHOULD BE CONTACTED FOR THE LATEST REVISION. QUESTO DISEGNO E' UN DOCUMENTO CONTROLLATO DI PROPRIETA' E RESPONSABILITA' DELLA TYCO ELECTRONICS CORPORATION. E' SOGGETTO A VARIAZIONI. PER OTTENERE L'ULTIMA REVISIONE DEL DISEGNO CONTATTARE L'UFFICIO TECNICO RESPONSABILE.		DWN/DIS: 03OCT2001 D. BISETTI CHK/CONT: 03OCT2001 O. CANUTO APVD/APP: 03OCT2001 A. GENTA PRODUCT SPEC: 108-20235 APPLICATION SPEC: I.S. 411-20067	Tyco Electronics Tyco Electronics AMP Italia S.p.A. C.so F.lli Cervi 15 Collegno (TO)
DIMENSIONS: (MM) 	TOLERANCES UNLESS OTHERWISE SPECIFIED: (TOLLERANZE: SE NON DIVERSAMENTE SPECIFICATO) 0 PLC/DEC: ±0.3 1 PLC/DEC: ±0.3 2 PLC/DEC: ±0.3 3 PLC/DEC: ±0.3 4 PLC/DEC: ±0.3 ANGLES/ANGOLI: ±30°	NAME: CONNECTOR HOUSING, 94 POS. MQS, 1.5 mm Clean body, MCP 2.8 + COVER AND C.P.A. KIT	SIZE: A2 CAGE CODE: 00779 DRAWING NO: 284743 RESTRICTED TO: -
MATERIAL	FINISH	WEIGHT	SCALE
	FINITURA	PESO	SCALA
			2:1
			SHEET OF
			FOLGIO DI
			REV
			E1