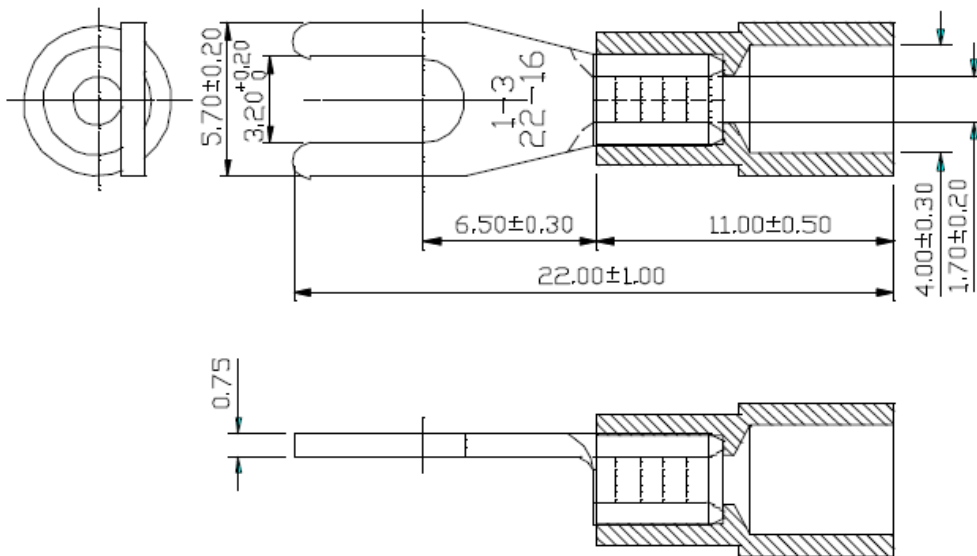


## Datasheet

# Insulated Crimp Spade Connector 22 → 16 AWG, Red Vinyl

RS Stock number [613-9384](#)

### Drawing (mm):



### Specifications:

1. MAXIMUM ELECTRIC CURRENT:
 

A.W.G.	22	20	18	16
AMP.	9	12	17	18
2. MAXIMUM ELECTRICAL RATING: 75°C 600 VOLTS MAX.
3. INSULATION MATERIAL: VINYL
4. INSULATION COLOR: RED
5. TERMINAL MATERIAL: COPPER
6. WIRE RANGE: 22-16A.W.G. (0.5-1.5mm<sup>2</sup>)