

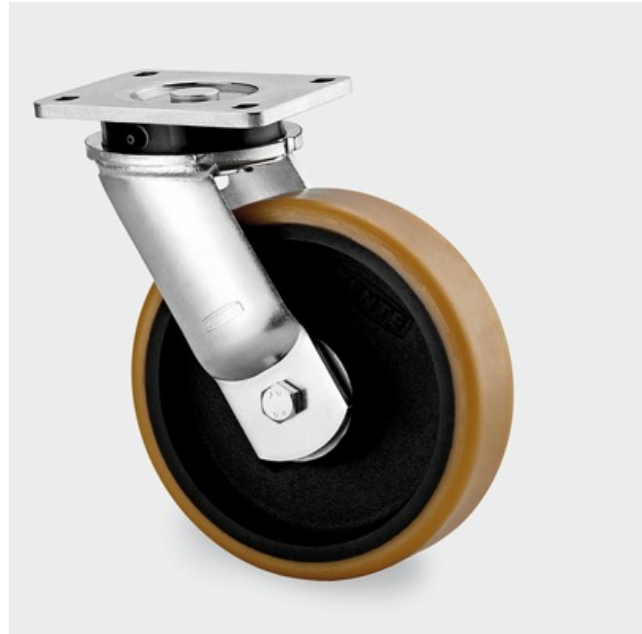
Product Information



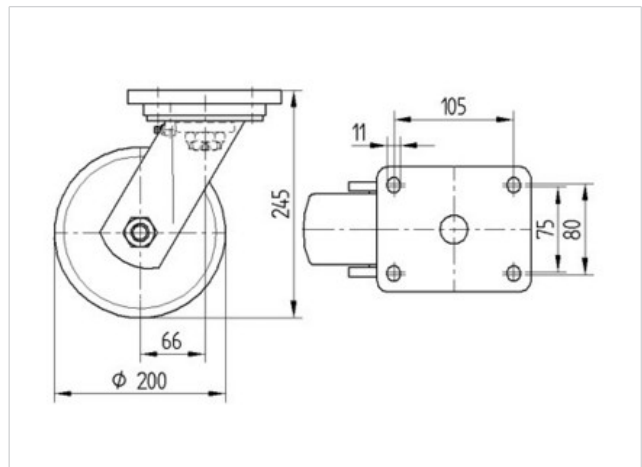
9650FTP200P63 WT50

EAN 4031582314199

Swivel castor, housing and plate steel-welded, bright zinc plated, blue passivated, sealed swivel bearing with dual purpose bearing and tapered roller bearing, threaded king pin and locking nut secured, grease nipple, wheel axle with nut, plate fitting. Wheel centre made of cast iron, Tread: Polyurethane, casted, precision ball bearing



Technical Data	
Wheel diameter	200 mm
Width of Tread	50 mm
Size of Plate	135 x 110 mm
Plate hole centres	105 x 80/75 mm
Plate hole	11 mm
Offset	59 mm
Swivel Interference	318 mm
Overall height	245 mm
Temperature	- 20 / + 60 °C
Standard	EN 12533
Weight	7.3 kg
Swivel Radius	159 mm
Hardness of tread	A 92 Shore
Load capacity	1000 kg
Load capacity (static)	2000 kg



Roll performance	+	+	+	+	+
Movement noise	+	+	+	+	+
Attrition	+	+	+	+	+
Corrosion resistance	+	+	+	+	+

Product Information



9650FTP200P63 WT50

EAN 4031582314199

