

Excelon® Plus

Air Preparation Range 1/2” Installation and Maintenance Instructions



For further information and other languages scan this QR code or visit:
 CN – 欲了解更多信息和其他语言版本, 请扫描二维码或登录:
 DE – Für weiterführende Informationen diesen QR-Code scannen oder siehe:
 ES – Para más información y otros idiomas, escanear este código QR o visitar:
 FR – Pour plus d'informations et d'autres langues, consultez ce code QR ou visitez:
 IT – Per ulteriori informazioni e altre lingue scansionare questo QR code o visitare:
 PT – Para mais informação e outros idiomas scanea este código QR ou visite a:
 RU – Для получения более подробной информации, в том числе на других языках, пожалуйста, отсканируйте QR код или посетите:

<https://www.imi-precision.com/excelon-plus>

TECHNICAL DATA

Fluid:	Compressed air
Maximum pressure:	Transparent bowl: 10 bar (145 psig) Metal bowl: 20 bar (290 psig)
Operating temperature*:	Transparent bowl: -10 °C to +60 °C (+14 °F to +140 °F) Metal bowl: -20 °C to +65 °C (-4 °F to +149 °F) * Air supply must be dry enough to avoid ice formation at temperatures below +2 °C (+35 °F)
Particle removal:	5 µm & 40 µm filter elements
Oil removal:	Coalescing and vapour cartridge elements
Air quality:	Within ISO 8573-1, Class 6 (5 µm) and Class 7 (40 µm)
Manual drain connection:	1/8"
Automatic drain connection:	1/4" & 6 mm PIF options
Port threads:	3/8", 1/2" and 3/4" PTF and ISO G
Typical flow:	100 l/sec - with 10 bar (150 psig) inlet pressure, 6.3 bar (90 psig) set pressure and 1 bar (15 psig) drop from set
Materials:	Body - Aluminium Covers - ABS Bowl - Aluminium or Polycarbonate/PP Valve - PP/Geolast® Elements - Sintered PP Elastomers - Nitrile See illustrations below
Service kits:	See illustrations below

Ex II 2 GD
Ex h IIC T6 Gb
Ex h IIC T85°C Db * See overleaf for ATEX declaration of conformity.

CAUTION
 Water vapour will pass through these units and could condense into a liquid form downstream as air temperature drops. Install an air dryer if water condensation could have a detrimental effect on the application.

- WARNINGS**
- These products are intended for use in industrial compressed air systems only. Do not use these products where pressures and temperatures can exceed those listed under Technical Data.
 - Polycarbonate plastic bowls can be damaged and possibly burst if exposed to such substances as certain solvents, strong alkalis, compressor oils containing ester-based additives or synthetic oils. Fumes of these substances in contact with the polycarbonate bowl, externally or internally, can result in damage.
 - Use metal bowl in applications where a plastic bowl might be exposed to substances that are incompatible with polycarbonate.
 - An outlet pressure more than the pressure setting could cause downstream equipment to rupture or malfunction. Install a pressure relief device downstream of the filter-regulator/regulator. Do not modify or interfere with the adjusting mechanism.
 - The relief pressure and flow capacity of the relief device must satisfy system requirements.
 - The accuracy of the indication of pressure gauges can change both during shipment (despite care in packaging), and during the service life. Ensure the gauge readings are accurate if a pressure gauge is to be used with these products and if inaccurate indications may be hazardous to personnel or property.
 - Before using these products with fluids other than air, non-industrial applications or for life-support systems, consult IMI Precision Engineering.

INSTALLATION

- Turn off air pressure prior to installing units into the air-line. Units should be installed:
 - with air flow in the direction of the arrow on the body
 - with lubricators and cycling valves downstream of regulators and filter-regulators
 - as close as possible to the device being serviced.
- Connect piping to ports using pipe thread sealant on male threads only. Do not allow sealant to enter the interior of the unit.
- Push the bowl, or bowl with guard, into the body and turn fully clockwise. Ensure the clip and cover arrow are aligned before pressurising.
- Automatic drain flexible tube requires a minimum internal diameter of 5 mm (3/16"). Drain may fail to operate if the tube ID is less than 5 mm. Avoid restrictions in the tube.
- Install a pressure gauge or plug the gauge port if no gauge is present. Gauge ports can also be used as additional outlets for regulated air.

ADJUSTMENT (Regulator and filter-regulator)

- Before applying inlet pressure, pull the adjusting knob up (exposing the red indicator ring) and turn the adjusting knob counter-clockwise to remove all force on the regulating spring.
- Apply inlet pressure, then turn the adjusting knob clockwise to increase and counter-clockwise to decrease the pressure setting.
- Always approach the desired pressure from a lower pressure. When reducing from a higher to a lower setting, first reduce to some pressure less than that desired, then bring up to the desired pressure.
- Once the required pressure is achieved, push the knob down (red indicator ring covered) to lock pressure and apply a padlock if required. For T-bar adjustment, tighten lock-nut to lock pressure setting.

SERVICING

See illustrations below. Note, any replacement O-ring seals should be lubricated. See IMI website for recommended lubricants. Use QR code or link above.

CLEANING

- Clean the plastic bowl with warm water only. Clean other parts with warm water and soap.
- Rinse and dry parts. Blow out internal passages in the body with clean, dry compressed air.
- Inspect parts. Replace any that are found to be damaged.

Part No.	Description
840025-51KIT	Guarded bowl with auto drain 6 mm PIF
840025-50KIT	Guarded bowl with manual drain
840003-51KIT	Metal bowl and sight glass with auto drain 6 mm PIF
840003-50KIT	Metal bowl and sight glass with manual drain
840025-53KIT	Guarded bowl with auto drain 1/4" PIF
840003-56KIT	Metal bowl and sight glass with auto drain 1/4" PIF
6000-60KIT	Auto drain 6 mm PIF
6000-61KIT	Auto drain 1/4" PIF
840038-50KIT	5 µm cartridge element (F84G)
840038-51KIT	40 µm cartridge element (F84G)
840044-50KIT	Coalescing cartridge element (F84C)
840041-50KIT	Vapour removal element (F84V)

Servicing – Filter replacement

Remove bowl	Unclip and remove element cartridge	Replace element cartridge and fit bowl	Coalescing elements must be replaced when indicator is fully red
-------------	-------------------------------------	--	--

Servicing – Filter-regulator and regulator

Remove bowl, unscrew valve retainer using spanner and remove spring and valve	Unscrew bottom plug using socket as shown and remove spring and valve
Part No. FRLB84-KIT	Description Elastomers kit

Lubricator – Oil level

Part No.	Description
840055-50KIT	Micro-fog Sight dome kit
840055-51KIT	Oil-fog Sight dome kit

Open oil fill screw (with Micro-fog lubricator ensure pressure is turned off and fully exhausted) Fill oil no more than max oil fill indicator.

Tamper proofing

Part No.	Description
840055-01KIT	Padlock kit
840055-02KIT	Hasp lock-out device

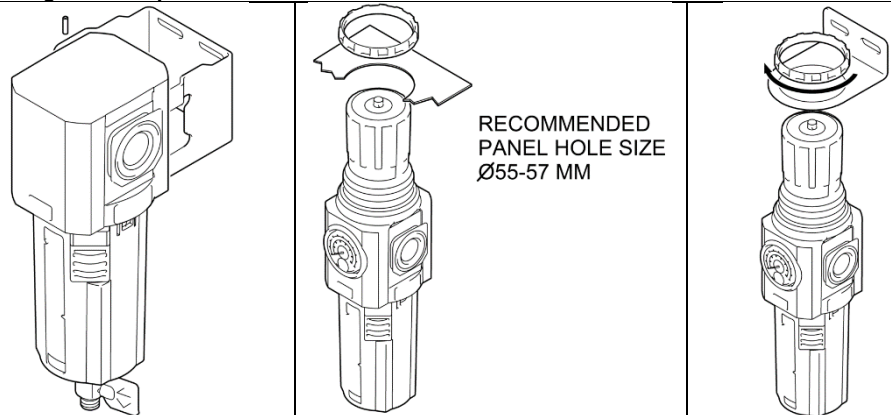
Cover removal and gauge replacement

Part No.	Description
840073-01KIT	Integrated gauge (10 bar) kit
840073-02KIT	Integrated gauge (20 bar) kit
840100-01KIT	Gauge adaptor kit 1/8" NPT
840100-02KIT	Gauge adaptor kit R1/8

Quikclamp connection

Part No.	Description
840014-51KIT	Connecting clamp
840014-52KIT	Connecting clamp and bracket

Mounting bracket options



RECOMMENDED
PANEL HOLE SIZE
Ø55-57 MM

Part No.	Description
840024-50KIT	Mounting bracket
840048-89KIT	Panel nut
840068-51KIT	Neck mount bracket and panel nut

ATEX Declaration of conformity

EU Declaration of conformity (DoC) 2014/34/EU

Product: Excelon® Plus T84, F84, R84 & B84

Manufacturer: Norgren Ltd, Blenheim Way, Fradley Park, Lichfield, Staffordshire, WS13 8SY

We declare that this declaration of conformity is issued under the sole responsibility of the above manufacturer

2014/34/EU Equipment and protective systems intended for use in potentially explosive atmospheres

The following harmonised standards and technical specifications have been applied
 ISO 4414:2010 – Pneumatic fluid power – General rules and safety requirements for systems and their components; ISO 80079-36:2016 – Explosive atmospheres – Part 36: Non-electrical equipment for explosive atmospheres – Basic method and requirements; ISO 80079-37:2016 – Explosive atmospheres – Part 37: Non-electrical equipment for explosive atmospheres – Non-electrical type of protection
 constructional safety "c", control of ignition sources "b", liquid immersion "k".



Ex h IIC T6 Gb

Ex h IIIC T85°C Db

ATEX Certification No.: NORGREN 18.0001X

Under certain extreme circumstances, the non-metallic cover may generate an ignition-capable level of electrostatic charge. The equipment shall not be installed in a location where the external conditions are conducive to the build-up of electrostatic charge on such surfaces. Additionally, the equipment shall only be cleaned with a damp cloth.

Attestation of Conformity for components in accordance with Directive 2014/34/EU

We confirm the following equipment: All lubricators (Oil-fog and Micro-fog), gauges, connections kits, filter elements, brackets, and porting blocks conform to essential Health & Safety requirements of Directive 2014/34/EU and as such contain no potential ignition hazard for explosive environments.



Technical Director:
James Robinson
June 2018

Bracket configuration

