

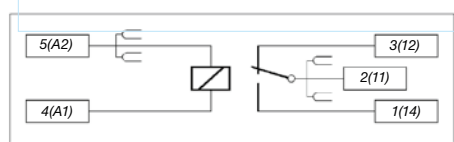
Type	S10 1-pole, 1 connection level Logic wiring Integrated retaining clip and labelling space Coil bridge bar for A2, 11
Rated current	10 A
Specifications	<p>Rated load 10 A / 250 V</p> <p>Insulation Test voltage V rms / 1 min</p> <p>– All terminals/DIN rail 5 kV</p> <p>Contact terminals 2,5 kV</p> <p>Contact / Coil terminals 5 kV</p> <p>Cross-section of connecting wire</p> <p>– Single-wire 4 mm² or 2 x 2,5 mm²</p> <p>– Multi-wire 22 - 14 AWG</p> <p>Max. screw torque 0.7 Nm</p> <p>Screw dimensions M3, Pozi, slot</p> <p>Integrated retaining clip/plastic for relay series C10, CSS (CP-17B)</p> <p>Labelling space detachable</p> <p>Connection label 1...5; DIN/EN</p> <p>Mounting DIN rail TS35 or mounting plate</p> <p>Ambient temperature operation/storage -40 (no ice)...60 °C / -40 ... 80 °C</p> <p>Weight 23g</p>



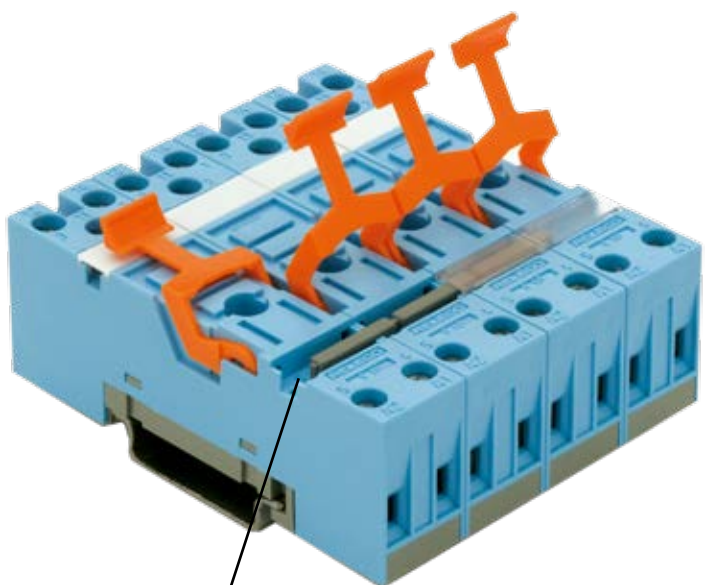
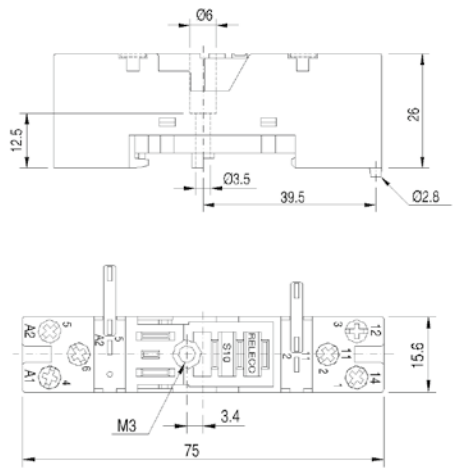
Socket for plug-in 10A IRC relays	C10-A, C10-T, CSS, C10-G
--	---------------------------------

Accessories	S10-BB
Coil bridge bars	CP-17B
Retaining clip, plastic	

Connection diagram



Dimensions [mm]



BRIDGE BAR

Technical approvals, conformities



EN 60947-1, EN 61810-1