

MICRO SWITCH

A DIVISION OF MINNEAPOLIS-HONEYWELL REGULATOR COMPANY
FED. MFR. CODE 91929

SWITCH - BASIC

CATALOG LISTING

BA-2RV2-A2

BA-2RV2-A2
ISSUE 2

BA-2RV2-A2
PAGE 1 OF 1

M
DRAWING NUMBER

8
ISSUE

REVISIONS

A	CO 15 DEC 61
B	CO34312 25 APR 78
C	CO- 73287-J 22 NOV 93
D	CO- 75204R 1 FEB 94
E	CO 77390 8 JUN 94
F	CO93346 DLT 26 AUG 98

REPLACES

RELEASE NO.

CHECK

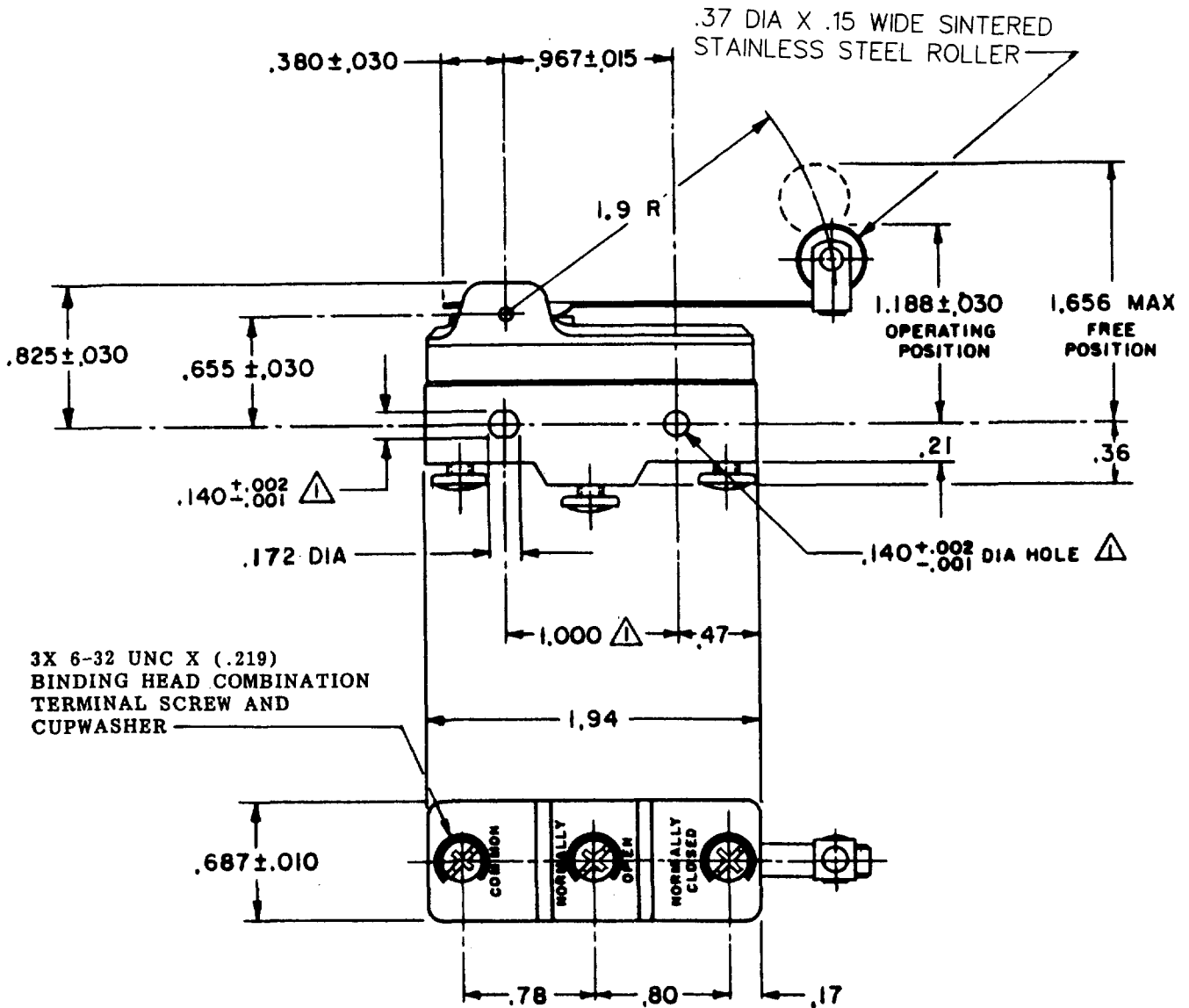
CHECK

CHECK
DAW 9 JAN 02

CHECK
GCM 15 DEC 61

FORMTEK

0-50378



NOTE -
 (triangle symbol) - MOUNTING HOLES WILL ACCEPT PINS OR SCREWS
 OF .139 MAX DIA ON 1.000 ± .002 CENTERS

THIS DRAWING COVERS A PROPRIETARY ITEM AND IS THE PROPERTY OF MICRO SWITCH, A DIVISION OF MINNEAPOLIS-HONEYWELL REGULATOR CO. THIS DRAWING IS NOT TO BE COPIED OR USED WITHOUT THE APPROVAL OF MICRO SWITCH.

CHARACTERISTICS	
OPERATING FORCE	----- 3 1/2 OZ MAX
RELEASE FORCE	----- 1/2 OZ MIN
PRETRAVEL	----- .468 MAX
DIFFERENTIAL TRAVEL	----- .085 MAX
OVERTRAVEL	----- .060 MIN

ELECTRICAL DATA	
CONTACT ARRANGEMENT S P D T	
L23	UNDERWRITERS' LAB. INC. LISTED RATING 20A - 125, 250 OR 480 VAC 10A - 125 VAC "L" 1HP - 125 VAC, 2HP - 250 VAC 1/2A - 125 VDC, 1/4A - 250 VDC
L288 L299 L308	
20(3)A 250V ~ T85 5E4	

SCALE --- FULL	
DO NOT SCALE PRINT	
UNLESS OTHERWISE SPECIFIED DIMENSIONS ARE IN INCHES	
TOLERANCES ARE:	
ONE PLACE (.0)	±.000
TWO PLACE (.00)	±.015
THREE PLACE (.000)	±.008
ANGLES	±
WEIGHT	