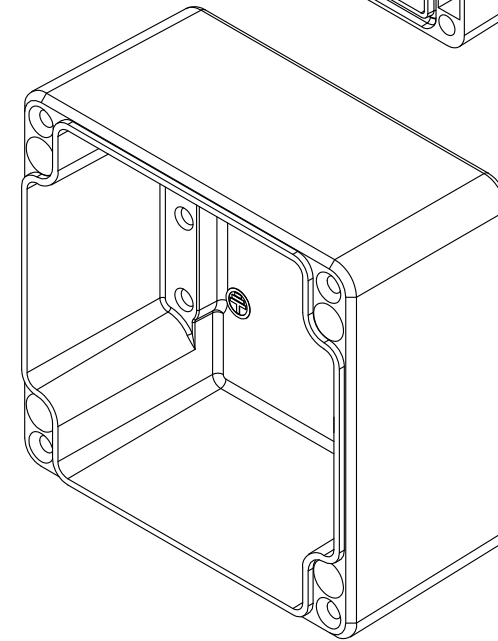
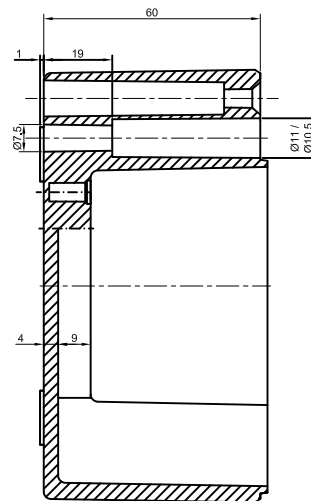
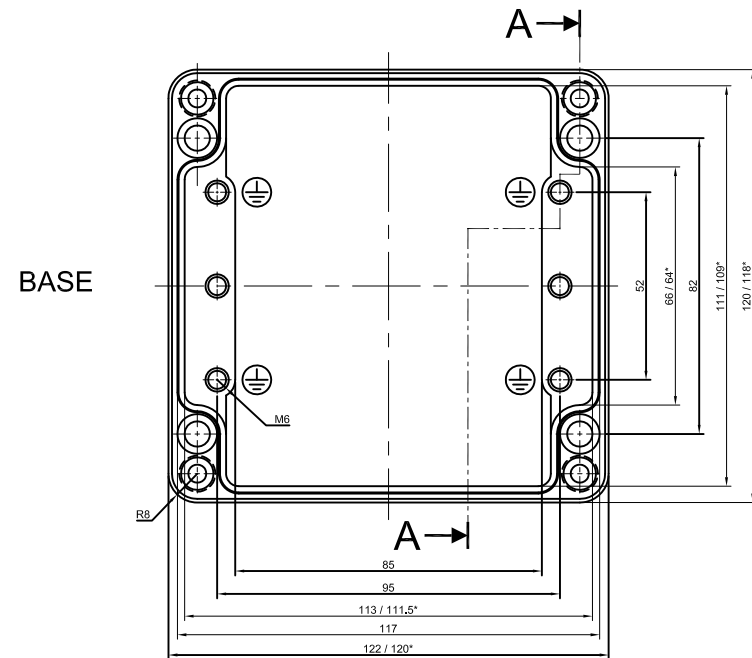
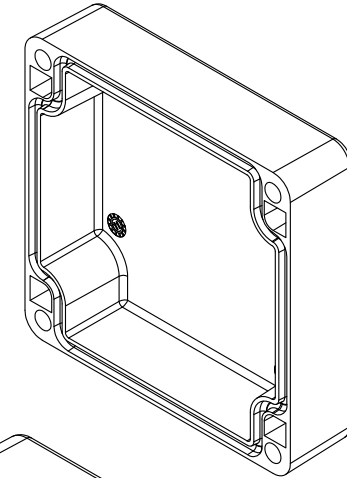
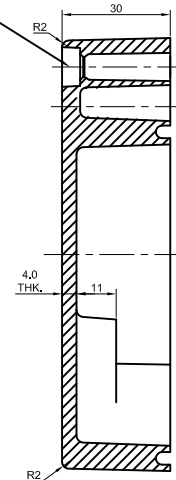
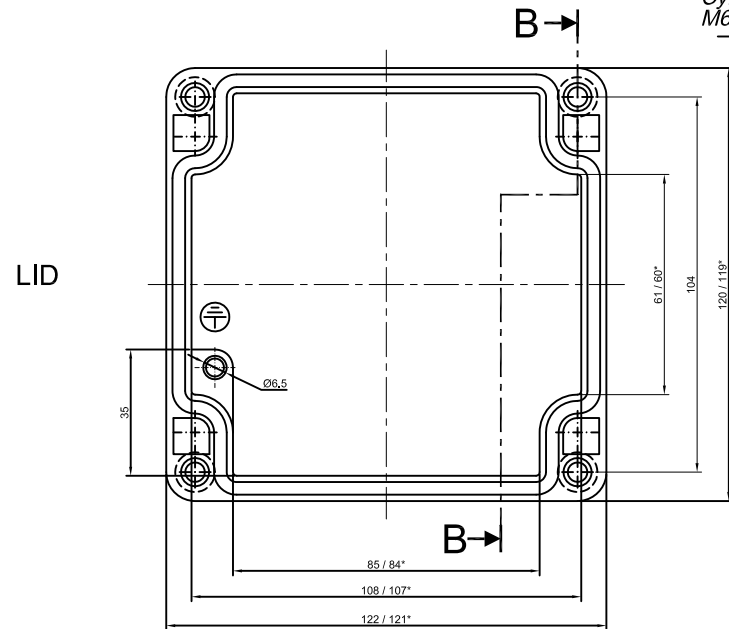


* = Conical form tapering downward.
 Untoleranced dimensions per GTA 13/5 DIN 1688

Cylinder Screw
 M6 x 35/10 similar to DIN 84



QUANTITY 1	MATERIAL :- Alsi 12 DIN230	MACH.NAME -	DATE 30/04/12	SIGN MANOJ	NAME DRAWN
 TOLERANCE ±0.2 DIMENSIONS ±0.2 HOLES ±1.0° ANGLES	WEIGHT: -	FINISH: NATURAL	DATE 30/04/12	SIGN PAVAN	NAME CHECKED
	TITLE :- JUNCTION BOX 122 x 120 x 91		DATE -	SIGN -	NAME S.D. APPROVED
SCALE					