



Main

| | |
|---------------------------|-------------------------------|
| Commercial Status | Commercialised |
| Range of product | Modicon M238 logic controller |
| Product or component type | Discrete output module |
| Discrete output number | 32 |
| Discrete output type | Transistor |
| Discrete output voltage | 24 V |
| Discrete output logic | Source |
| Discrete output current | 0.4 A |

Complementary

| | |
|-----------------------------------------------|-----------------------------------------------------------------------------------|
| Range compatibility | Advantys OTB Twido |
| Output voltage limits | 20.4...28.8 V |
| Current per channel | 0.48 A |
| Current per output common | 2 A |
| Number of common point | 2 |
| Response time | 450 µs from state 1 to state 0 450 µs from state 0 to state 1 |
| [Ures] residual voltage | <= 0.4 V at state 1 |
| Leakage current | 0.1 mA |
| Inductive load | <= 10 mH |
| Tungsten load | <= 9.6 W |
| Short-circuit protection | With automatic reactivaton |
| Overload protection | With automatic reactivaton |
| Isolation between channels | None |
| Isolation between channels and internal logic | 500 V for 1 minute |
| Current consumption | 40 mA 24 V DC at state 1 for all output 25 mA 5 V DC at state 1 for all output |
| Local signalling | 2 display blocks |
| Electrical connection | 1 connector HE10 |
| Mounting support | 35 mm symmetrical DIN rail |
| Product weight | 0.105 kg |

Environment

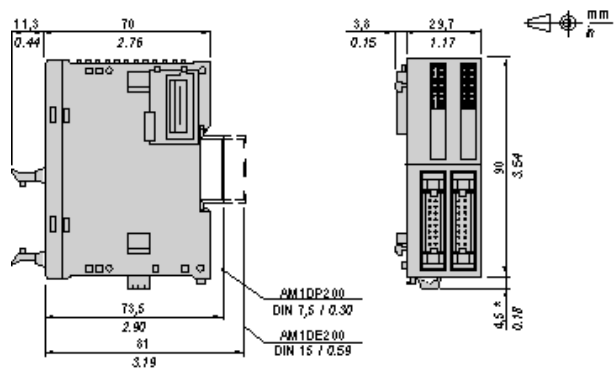
| | |
|--------|---------|
| Depth | 81.3 mm |
| Height | 90 mm |
| Width | 33.5 mm |

Offer Sustainability

| | |
|-------------------------------|---------------------------------------------------------------------------------------|
| Sustainable offer status | Not Green Premium product |
| RoHS | Compliant - since 0830 - Schneider Electric declaration of conformity |
| REACH | Reference not containing SVHC above the threshold |
| Product environmental profile | Available Download Product Environmental |

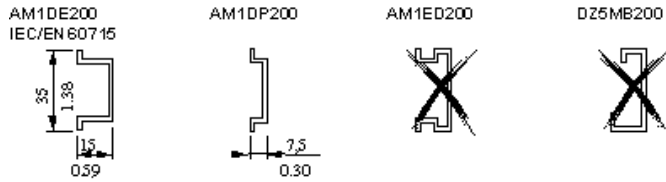
Digital Transistor Output Module (32-channel, Source)

Dimensions



NOTE: * 8.5 mm (0.33 in) when the clamp is pulled out.

DIN Rail Mounting

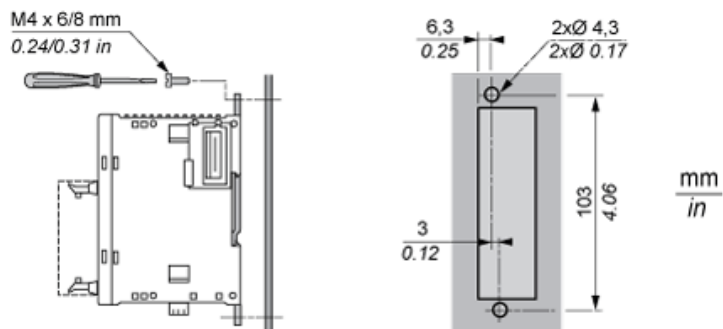


| Rail depth | Catalogue part number |
|-------------------|-----------------------|
| 15 mm (0.59 in.) | AM1DE200 |
| 7,5 mm (0.30 in.) | AM1DP200 |

NOTE: Do not use AM1ED200 and DZ5MB200

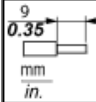
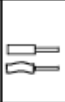
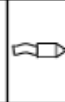
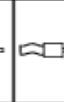
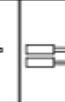



Module Mounting on a Panel Surface

Mounting Hole Layout



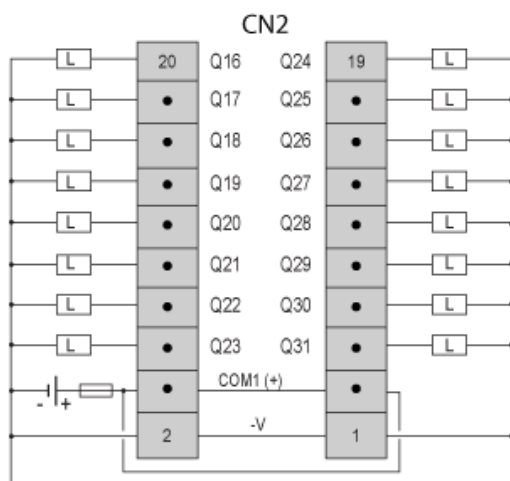
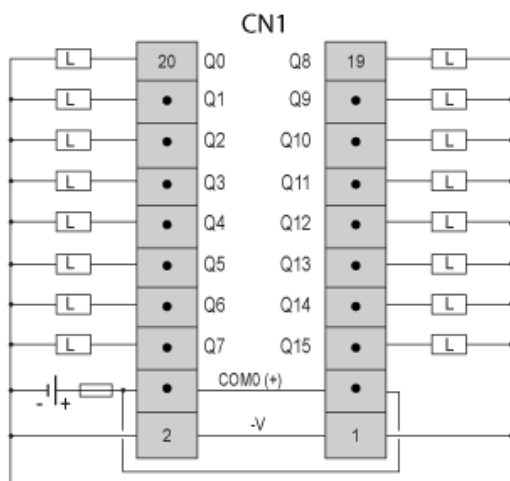
Wiring Requirements

Cable Types and Wire Sizes for Removable Screw Terminal Block

| | | | | | | | |
|-----------------------------------------------------------------------------------------------------------------|-----------------------------------------------------------------------------------|-----------------------------------------------------------------------------------|-----------------------------------------------------------------------------------|-----------------------------------------------------------------------------------|-----------------------------------------------------------------------------------|-----------------------------------------------------------------------------------|-----------------------------------------------------------------------------------|
|  9 0.35 mm in. |  |  |  |  |  |  |  |
| | mm ² | 0,14...1,5 | 0,25...0,5 | 0,25...1,5 | 0,14...0,5 | 0,14...0,75 | 0,25...0,34 |
| AWG | 26...16 | 24...20 | 24...16 | 26...20 | 26...18 | 24...22 | 20 |

Digital Transistor Output Module (32-channel, Source)

Wiring Diagram



L Load

Fuse value for the load: 0.4 A

Fuse value for the power supply: 2 A