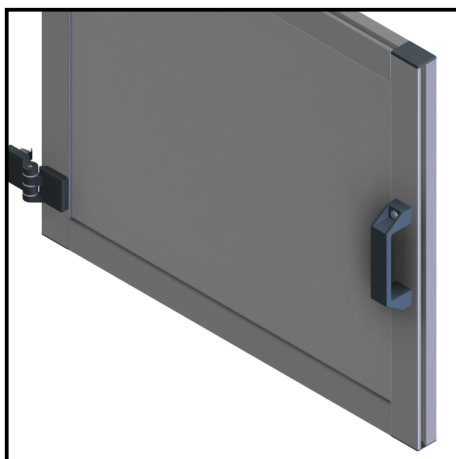
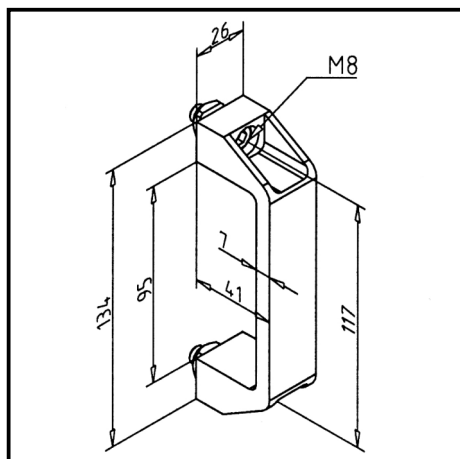


# HANDLE 120 BLACK

Article Nr. 21.1092/0

See the product on the website →

Download CAD Files →



## TECHN. DATA / ITEMS SUPPLIED

- PA, black
- With fastening material steel, zinc plated
- ESD-compatible, also available in black **part no. 32.1007/0**, upon request
- Weight = 0.101 kg/piece

## APPLICATIONS

- Doors
- Lids
- Guard units

## ASSEMBLY

- Fasten to profile groove with supplied hardware
- Directly on surface element with cylinder head screw M8