



ENGLISH

## Datasheet

# Ventilated Rack Case, 6U, 266 x 482 x 465mm

RS Stock number 665-7738

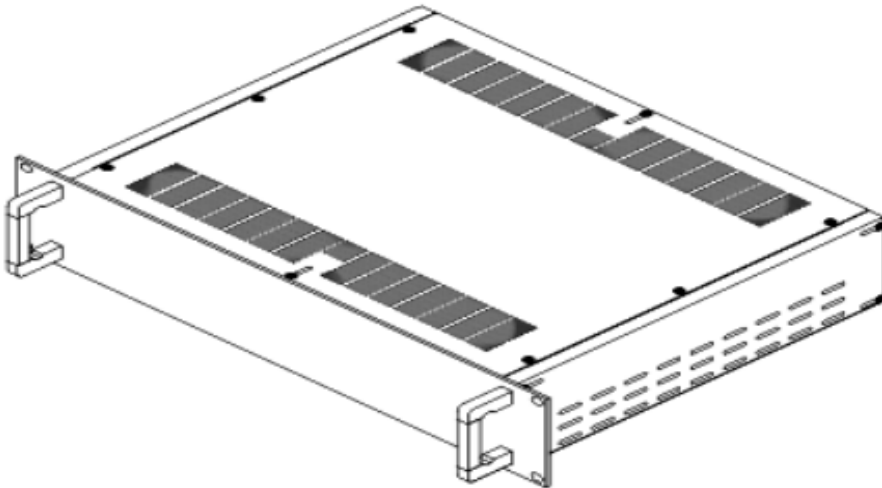
## Product Information PF 19" Series

---

**The PF-19 Enclosure Series** is a high quality, heavy duty electronic enclosure for multiple users. Whether you have industrial requirements or are a home hobbyist, the PF-19 will work for you.

Combining a well engineered design, top grade materials and precision workmanship, users will find the PF-19 easy to work with and flexible in its range of applications.

The sturdy construction and tough powder coat finish ensures the PF-19 provides a strong and attractive finished product, which looks good wherever it is used.



### Features :

- Complies with IEC 297, EIA RS-310 C1977, DIN41494; allows complete compatibility with all 19" standard equipment.
- Careful design allows for easy modification to the customer's requisites.
- Wide range of applications ; the PF-19 system consists of 6 sizes from 1U to 6U and 5 different depths.
- Precise and high quality manufacturing standard enables fast and easy assembly.
- Packed flat for convenient shipment and storage.

### Materials/Finish :

High grade cold rolled steel.

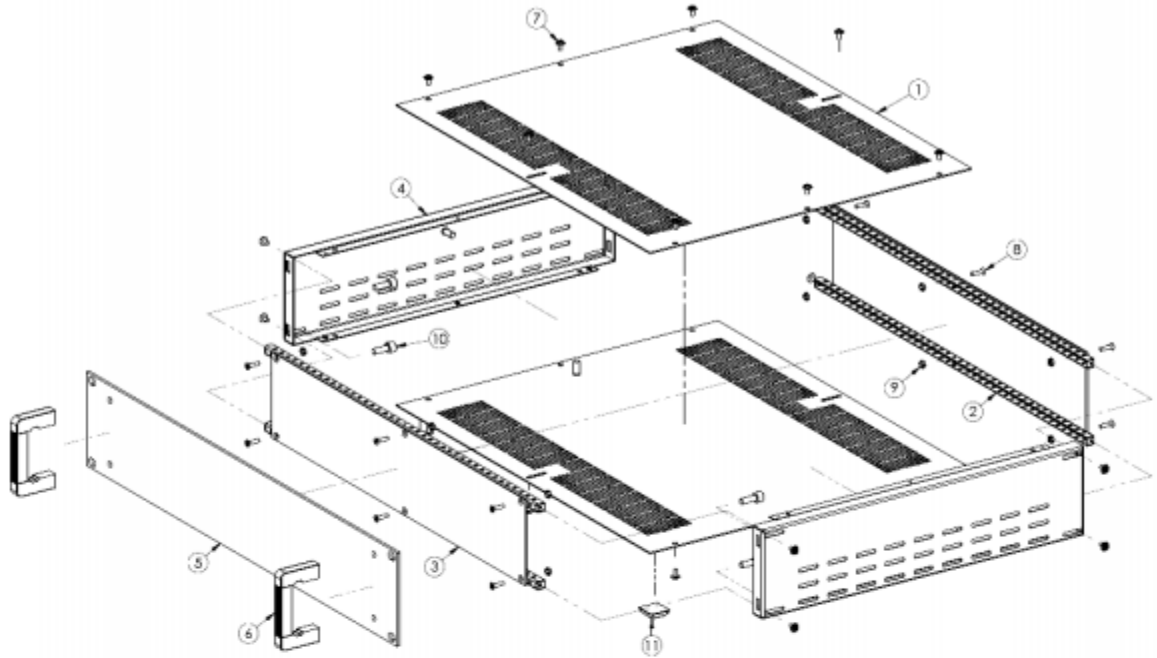
Aluminum on Front and Rear panel

Powder coat finish preceded by 5 stage iron phosphate pretreatment.

Conforms to ASTM D610-01 (Creepage test)

Conforms to ASTM B117 (500 hours salt spray test)

Standard color is low gloss black. Special colors upon request.


**PF 19 inches Part List :**

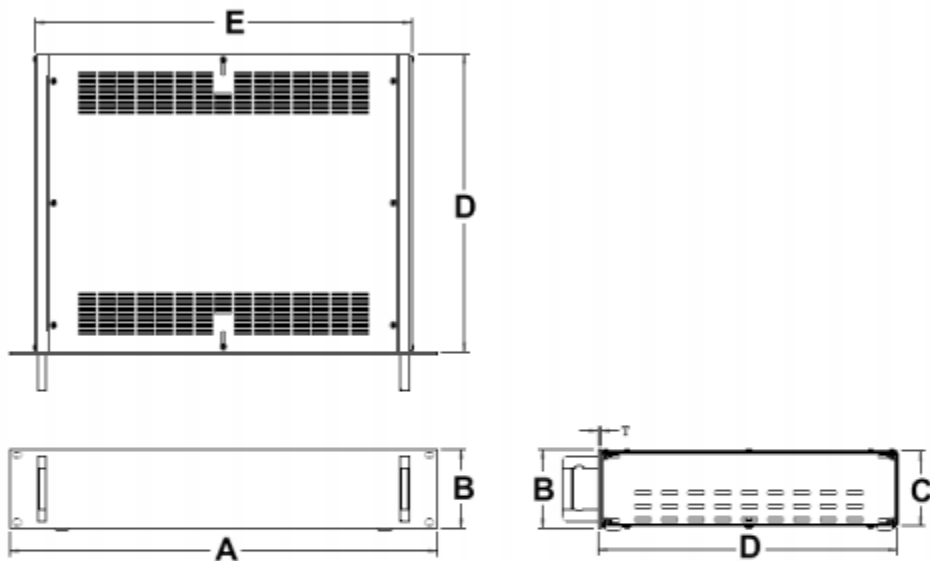
| Item  | Material                   | Contents of Kit |         |        |        |        |        |
|---|----------------------------|-----------------|---------|--------|--------|--------|--------|
|   |                            | 1U              | 2U      | 3U     | 4U     | 5U     | 6U     |
| 1. Top / Base Panel                           | Mild steel 1.2 MM          | 2               | 2       | 2      | 2      | 2      | 2      |
| 2. General Purpose Bar<br>(90mm/other models) | Zinc plate steel 0.9<br>MM | 4/8             | 8       | 8      | 8      | 8      | 8      |
| 3. Inside Front/ Rear Panel                   | AL (0.9/1.2 MM)            | 2 (0.9)         | 2 (0.9) | 2(1.2) | 2(1.2) | 2(1.2) | 2(1.2) |
| 4. Side Panel                                 | Mild Steel 0.9 MM          | 2               | 2       | 2      | 2      | 2      | 2      |
| 5. Front Panel                                | AL 3.0 MM                  | 1               | 1       | 1      | 1      | 1      | 1      |
| 6. Handle                                     | AL extruded                | 2               | 2       | 2      | 2      | 2      | 2      |
| 7. Umbrella Phillips screw                    | M3x6                       | 28              | 28, 32  | 16     | 16     | 16     | 16     |
| 8. Umbrella Phillips screw                    | M4x8                       | -               | -       | 16     | 16     | 16     | 16     |
| 9. Flat Head screw                            | M3x12 with nut             | 12              | 12      | -      | -      | -      | -      |
| 10. Flat Head screw                           | M3x15                      | -               | -       | 12     | 12     | 12     | 12     |
| 11. Round Head screw                          | M5x15 with nut             | -               | 4       | 4      | 4      | 4      | 4      |
| 12. Hex screw                                 | M5x15 with nut             | 4               | -       | -      | -      | -      | -      |

**Note :** Torque 7 in lbs for screw M3  
Torque 10 in lbs for screw M4

## Available Dimensions :

There are 24 different sizes and configurations which are available in :

- Height : 1.5U to 6U (B)
- Width : 482 (A)
- Depth : 90, 245, 335, 425 and 465 (D)



| RS Stock No. | Model | Front Panel<br>(A x B) | Handle Height | Cabinet<br>(E x D x C) |
|--------------|-------|------------------------|---------------|------------------------|
| 665-7706     | 1U-D0 | 483 x 44               | 25            | 425x90x39 mm           |
| 665-7700     | 1U-D1 | 483 x 44               | 25            | 425x245x39 mm          |
| 665-7719     | 2U-D1 | 483 x 88               | 60            | 425x245x83 mm          |
| 665-7712     | 2U-D2 | 483 x 88               | 60            | 425x335x83 mm          |
| 665-7716     | 3U-D2 | 483 x 133              | 90            | 425x335x128 mm         |
| 665-7725     | 3U-D3 | 483 x 133              | 90            | 425x425x128 mm         |
| 665-7728     | 4U-D2 | 483 x 177              | 130           | 425x335x172 mm         |
| 665-7722     | 4U-D3 | 483 x 177              | 130           | 425x425x172 mm         |
| 665-7731     | 5U-D3 | 483 x 222              | 130           | 425x425x217 mm         |
| 665-7734     | 6U-D3 | 483 x 266              | 130           | 425x425x261 mm         |
| 665-7738     | 6U-D4 | 483 x 266              | 130           | 425x465x261 mm         |