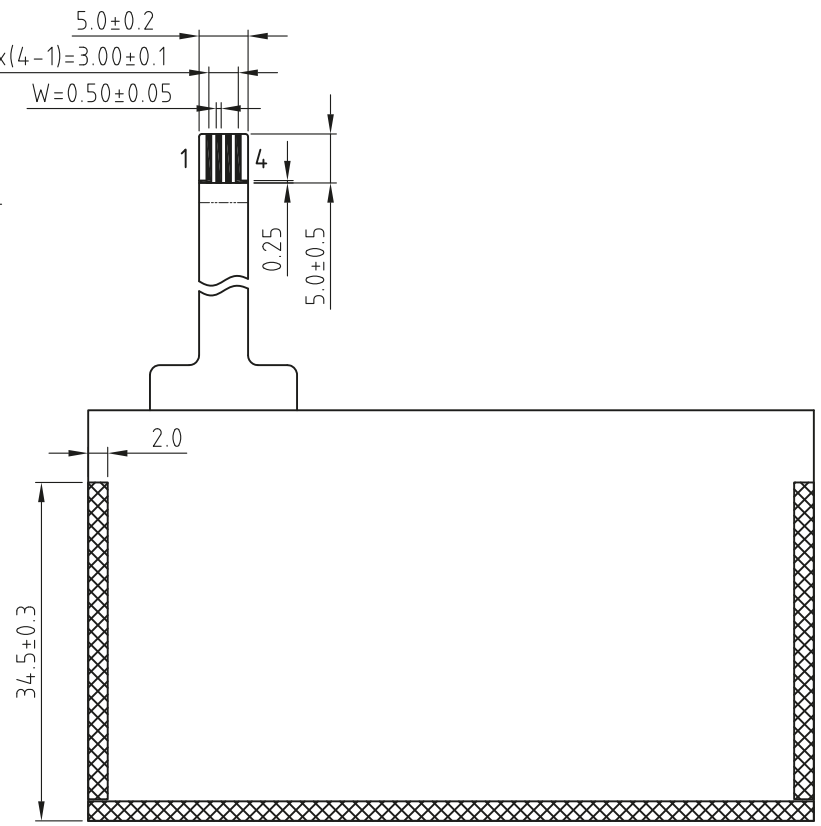
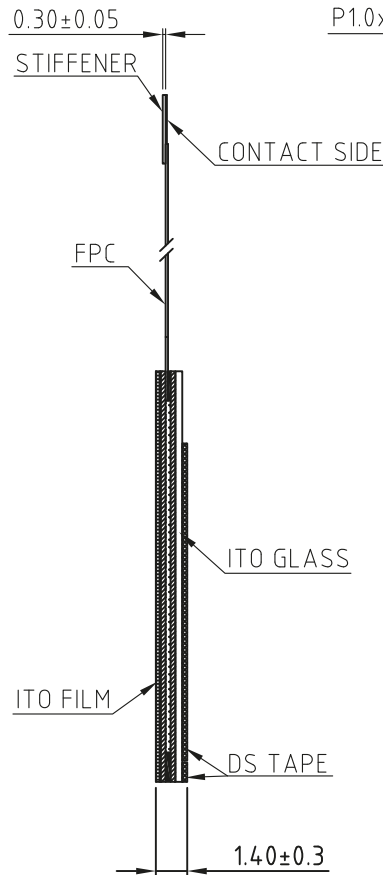
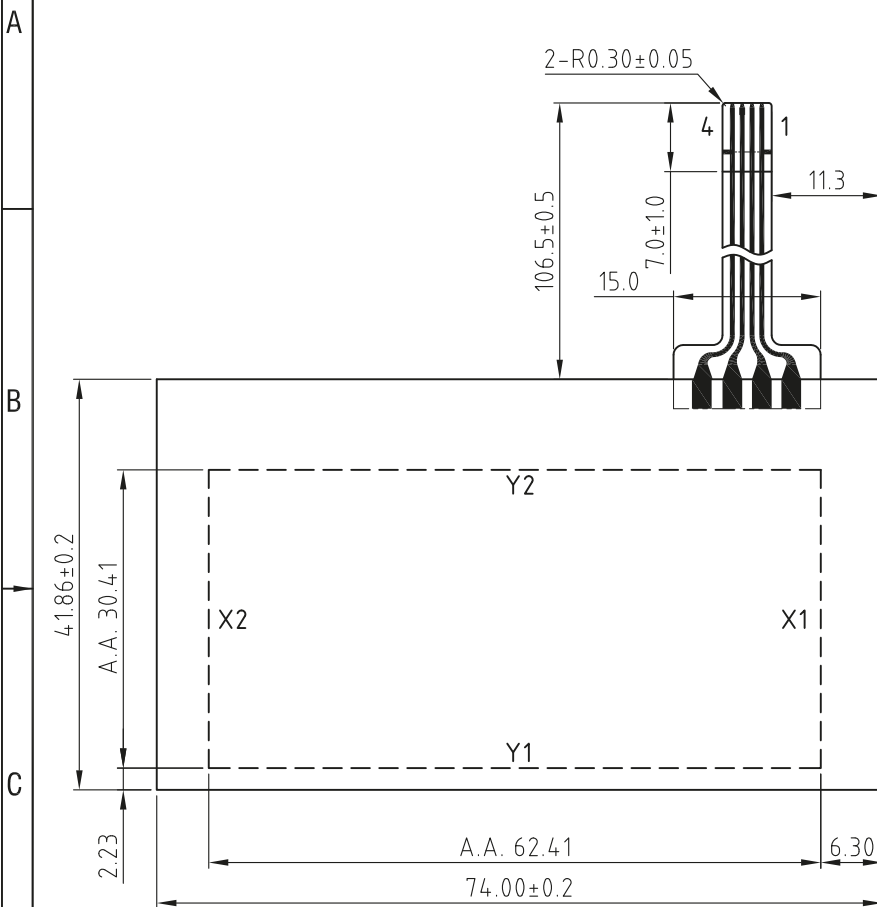




Intelligent Display Solutions, Unit 2, Berkshire Business Centre, Berkshire Drive,
 Thatcham, Berkshire, RG19 4EW Telephone : +44 (0)1635 294600
 Fax : +44 (0)1635 869200 Email: info@i-lcd.com www.i-lcd.com
 A division of Intelligent Group Solutions Ltd

| | | |
|------|--------------|-------------|
| Rev: | Description: | Date: |
| A00 | First Issue | 2010-JAN-22 |



SPECIFICATIONS:

- 1) RESPONSE TIME: ≤10ms
- 2) OPERATING PRESSURE:10~100g
- 3) OP.TEMP.=-20°C TO +70°C
ST.TEMP.=-30°C TO +80°C

PIN ASSIGNMENT:

| | |
|---|----|
| 1 | X1 |
| 2 | X2 |
| 3 | Y1 |
| 4 | Y2 |

| | | | |
|---|------------|---------------------------------|-------------|
| Description: Touch Panel Specifications | | | |
| Scale: | | | |
| Sheet : 1 of 2 | | | |
| Unspecified Tol. *.x±0.2,*.xx±0.1 | Unit mm | | |
| Approvals: | | Project Number CI064-4021-01 | Item Number |
| Draw: | | | |
| Check: | | | |
| Approve: | | | |
| Do Not Scale This Drawing | | Projection | |