


SACB-8/16-L-M23

Order No.: 1692459



Sensor/actuator box, Connection method: M12 female connector
 Plastic, Number of slots: 8, Number of positions: 5, Slot assignment:
 Double, Status indication: Yes, pnp; Master cable connection: M23
 plug connection 90°, Shielding: No

Commercial data	
EAN	4  017918 177911
Pack	1
Customs tariff	85444290
Gross weight in pieces	137.70 g
Country of Origin	PL
Catalog page information	Page 114 (PC-2009)

Product notes

WEEE/RoHS-compliant since:
 31/01/2006



Please note that the data given here has been taken from the online catalog. For comprehensive information and data, please refer to the user documentation at <http://www.download.phoenixcontact.com>. The General Terms and Conditions of Use apply to Internet downloads.

Technical data

General data	
Rated voltage	24 V DC
Max. operating voltage U_{max}	30 V DC
Current carrying capacity per I/O signal	2 A
Current carrying capacity per slot	4 A

Total rated current	12 A
Number of positions	5
Number of slots	8
Degree of protection	IP65/67
Inflammability class according to UL 94	V0
Ambient temperature (operation)	-20 °C ... 75 °C
Sensor/actuator connection system	M12 female connector

Local diagnostics function

Local diagnostics	Supply voltage Green LED
	Status display I/O Yellow LED

Master cable data

Connection method	M23 plug connection
Tightening torque slot sensor/actuator cable	0.4 Nm
Tightening torque screw plug	0.4 Nm

Insulation material

Housing material	PA
Contact material	CuSn
Contact surface material	Ni/Au
Contact carrier material	PA
Material of contact, master cable side	CU alloy
Material of contact surface, master cable side	Gold-plated
Material of the contact carrier on the master cable side	PA
Material of threaded sleeve	Zinc die-cast
Material, O-ring	NBR

Pin assignment

Slot/position = Wire color or connection	1 / 4 (A) = 15
--	----------------

	1 / 2 (B) = 7
	2 / 4 (A) = 5
	2 / 2 (B) = 4
	3 / 4 (A) = 16
	3 / 2 (B) = 8
	4 / 4 (A) = 3
	4 / 2 (B) = 14
	5 / 4 (A) = 17
	5 / 2 (B) = 9
	6 / 4 (A) = 2
	6 / 2 (B) = 13
	7 / 4 (A) = 11
	7 / 2 (B) = 10
	8 / 4 (A) = 1
	8 / 2 (B) = 18
	1-8 / 1 (+ 24 V) = 19
	1-8 / 3 (0 V) = 6
	1-8 / 5 (PE) = 12

Certificates



Certification

cULus Recognized, GOST

Certifications applied for:

Certification Ex:

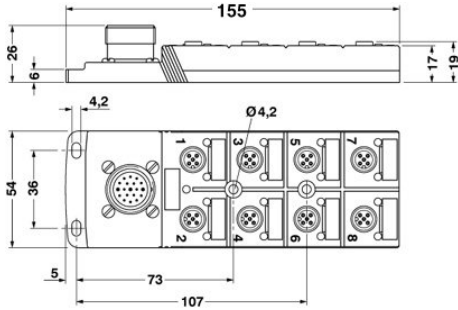
Accessories

Item	Designation	Description
General		
1665062	PLUSCON-RCS	Special pipe spanner, tool for mounting the M23 connector housing (with assembly), for coupling and sleeve housing

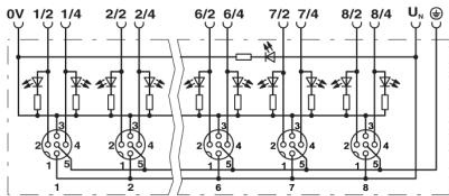
Marking		
2809128	ZBN 18:UNBEDRUCKT	Zack marker strip, Strip, white, Unlabeled, Can be labeled with: Plotter, Mounting type: Snap into tall marker groove, For terminal block width: 18 mm, Lettering field: 18 x 5 mm
Protection and sealing elements		
1680539	PROT-M12	An M12 screw plug for the unoccupied M12 sockets of the sensor/ actuator cable, boxes and flush-type connectors
Sealing cap		
1685013	KSK 1	Plastic sealing cap, for unoccupied M23 connectors
1665897	MSK 1	M23 metal sealing cap, for unoccupied M23 connectors, without steel wire
1665907	MSK 2	M23 metal sealing cap, for unoccupied M23 connectors, with steel wire
Socket		
1684056	RCK-TGUM/BL16+3/ 5,0PUR-U	Female connector, Number of positions: 19, Status indication: No; Master cable connection: M23 socket, Cable length: 5 m, Shielding: No
1684069	RCK-TGUM/BL16+3/10,0PUR-U	Female connector, Number of positions: 19, Status indication: No; Master cable connection: M23 socket, Cable length: 10 m, Shielding: No
1684072	RCK-TWUM/BL16+3/ 5,0PUR-U	Female connector, Number of positions: 19, Status indication: No; Master cable connection: M23 socket, Cable length: 5 m, Shielding: No
1684085	RCK-TWUM/BL16+3/10,0PUR-U	Female connector, Number of positions: 19, Status indication: No; Master cable connection: M23 socket, Cable length: 10 m, Shielding: No
1000042	V-RC/TGUM 13/KVD 13/LBL 16+3	M23 socket, 19-pos., straight, freely configurable, with solder connection, for external cable diameter of 10 mm ... 14 mm
1000044	V-RC/TWUM 13/KVD 13/LBL 16+3	M23 socket, 19-pos., angled, freely configurable, with solder connection, for external cable diameter of 10 mm ... 14 mm
Tools		
1208432	SAC BIT M12-D15	Nut for assembling sensor/actuator cables with M12 connector and for M12 connectors with QUICKON fast connection technology, for 4 mm hexagonal drive
1208445	SACC BIT M12-D20	Nut for assembling SACC M12 connectors for free assembly, excluding M12 connectors with QUICKON fast connection technology, for 4 mm hexagonal drive
1208429	TSD 04 SAC	Torque screwdriver, with preset torque of 0.4 Nm and 4 mm hexagonal drive for M12 connectors

Drawings

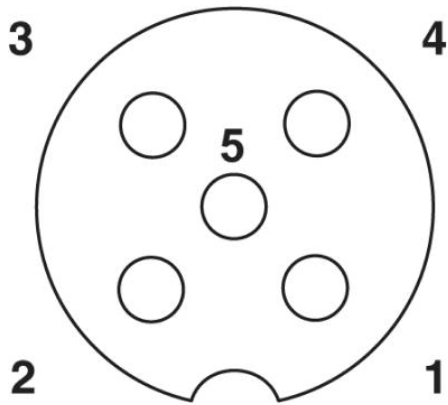
Dimensioned drawing



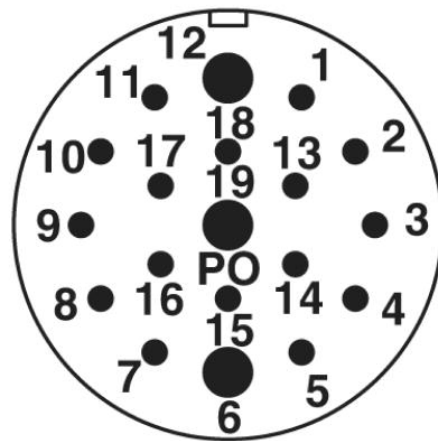
Circuit diagram



Schematic diagram



M12 slot, socket, 5-pos.



M23 plug connection pin, 19-pos.

Address

PHOENIX CONTACT Ltd
Halesfield 13
Telford / Shropshire / TF7 4PG,England
Phone 01952 681 700
Fax 01952 681 799
<http://www.phoenixcontact.co.uk>



Phoenix Contact Ltd.
Technical modifications reserved;