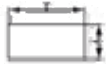
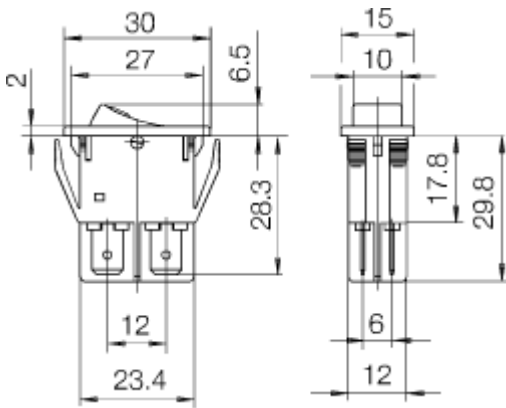




Marquardt Mechatronik GmbH
 Schloss-Str. 16
 78604 Rietheim-Weilheim
 Germany

Phone: +49 (0) 7424 / 99-0
 Fax: +49 (0) 7424 / 99-2399
 Net: www.marquardt.de
 E-mail: marquardt@marquardt.de

Product image / Drawings



X = wall thickness

X	Y	Z
0.8 ... 5.0	27.2 ±0.1	12.2 +0.2

Product number	1555.3104		
Product family	Rocker switches		
Actuation type	direct		
Weight	8.900 g		
Switch on continuous current (capacitive)	5 A		
Inrush current (capacitive)	100 A		
ROHS conform	yes		
Switching function	ON / OFF switch (DPST)		
Material fixed contact	Ag		
Number of poles	2 - pole		
connections	Quick-connect terminal, 6.3 x 0.8		
Mechanical life endurance	5E4		
Rating IEC	10 (4) A 250 V AC 5E4 16 (4) A 250 V AC 1E4		
Rating North America	16 A 250 V AC 2 HP		
Contact resistance (new condition)	< 100 (1 A 12 V DC) mOhm		
Insulation resistance (new condition)	> 100 (500 V DC) MOhm		
Voltage strength at 250 V	function insulation / basic insulation	1	500 V
	reinforced insulation	3	000 V
	small contact distance		500 V
Proof tracking	250 PTI		
Insulation spacing	acc. to EN 61058 for reinforced or double insulation		
Protection type	Connection	IP 40	
	Actuator	IP 40	
Temperatures	Connection side min.	-20 °C	
	Connection side max.	100 °C	
	Actuation side min.	-20 °C	
	Actuation side max.	55 °C	
	Storage temperature min.	-40 °C	
	Storage temperature max.	80 °C	
Flammability	UL 94 V-2		
Glow wire test temperature	850 °C		
Actuators and additional actuators	rocker: PA, black, identification white		
Housing description	housing: PA, black		
Connection surface	bearing connection	silver plated	
Contact material	Ag		
Contact distance	≥ 3 mm		
Lighting	function lighting: glow lamp, 230 V function lighting: window of PC, orange transparent		
Rating Code UL	R 145		
Contact type	lifting contact		
Plug force of the terminals	≤ 80 N		
Operating force	3 - 5 N		
Approval marks	CSA / ENEC 05 / UL		
Suitable for appliances of protection class	II		
Type of fastening	Snap fastening		
Stock version	●		