



# DATA SUPPORT

## CROSS REFERENCE LIST

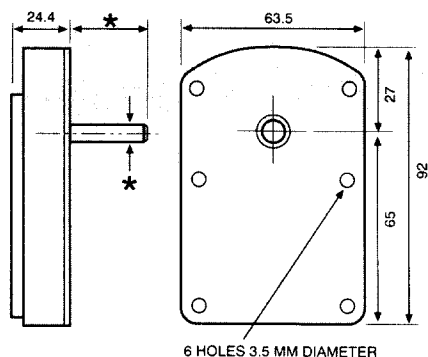
RS Stock Number	Manufacturer's Part Number
248-3671	RS 555
248-3637	SC9100
248-3643	UBLS67
248-3659	UBLS68
248-3665	UBLS69
248-3700	UBD 80RPM
248-3867	UBD 160RPM

# UB T6 Series Gear Reducer

Typical applications are in Copying Machines, Vending Machines, Animated Displays, Pumps, Photographic Equipment, Domestic Appliances and many other applications requiring a low cost, long life, quiet running efficient motor gear unit.

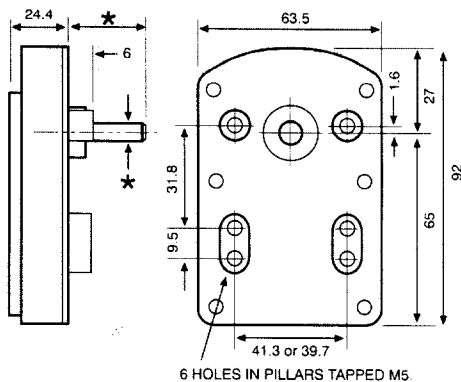
See over for part numbers, motor configurations and dimensions.

Refer to relevant motor data sheets for full motor specifications.



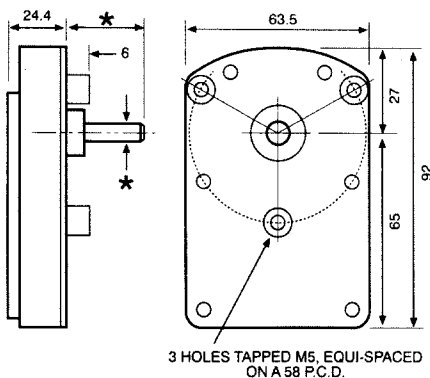
**Type 1 (Flat Lid)**

\* OUTPUT SHAFT DIAMETER & LENGTH TO SUIT CUSTOMER REQUIREMENTS



**Type 2 (Standard Lid)**

\* OUTPUT SHAFT DIAMETER & LENGTH TO SUIT CUSTOMER REQUIREMENTS



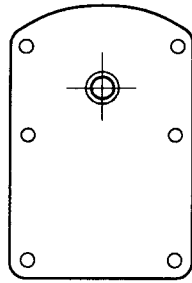
**Type 3 (Euro Lid)**

\* OUTPUT SHAFT DIAMETER & LENGTH TO SUIT CUSTOMER REQUIREMENTS

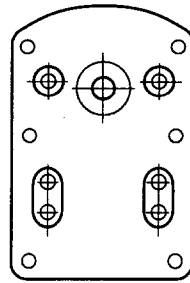
- Fully sealed
- Lubricated for life
- Optional diameter and length of output shaft
- Sintered bronze output shaft bearings
- Directly interchangeable with other European and USA boxes of similar type



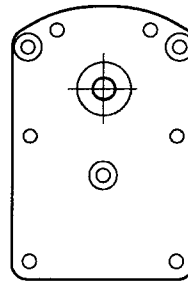
# UB T6 Series Gear Reducer



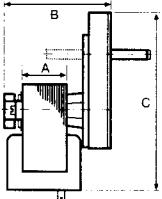
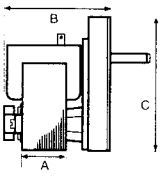
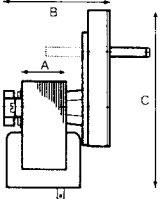
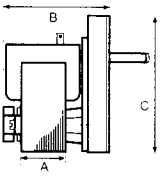
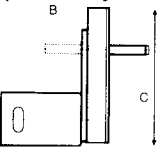
Type 1 (Flat Lid)



Type 2 (Standard Lid)



Type 3 (Euro Lid)

			Cat No.	Motor	A	B	C
<b>SC9</b> AC Single phase shaded pole motors (See SC9 motor data sheet)	Front or Rear mount 		UBSS60	SC9-50	13	65	140
			UBSS61	SC9-75	19	71	140
			UBSS62	SC9-100	25	77	140
			UBSS63	SC9-125	32	84	140
			UBSS64	SC9-150	38	90	140
<b>SC9</b> AC Single phase shaded pole motors (See SC9 motor data sheet)			UBLS65	SC9-50	13	65	92
			UBLS66	SC9-75	19	71	92
			UBLS67	SC9-100	25	77	92
			UBLS68	SC9-125	32	84	92
			UBLS69	SC9-150	38	90	92
<b>BDC</b> Brushless DC motors (See BDC motor data sheet)	Front or Rear mount 		UBSB70	BDC-50	13	65	140
			UBSB71	BDC-75	19	71	140
			UBSB72	BDC-100	25	77	140
			UBSB73	BDC-125	32	84	140
			UBSB74	BDC-150	38	90	140
<b>BDC</b> Brushless DC motors (See BDC motor data sheet)			UBLB75	BDC-50	13	65	92
			UBLB76	BDC-75	19	71	92
			UBLB77	BDC-100	25	77	92
			UBLB78	BDC-125	32	84	92
			UBLB79	BDC-150	38	90	92
<b>RS</b> DC Permanent magnet field motors (See RS motor data sheet)	Front or Rear mount 		UBD80	RS-550	36	57	96
			UBD81	RS-555	36	57	96

Refer to relevant motor data sheets for full motor specifications