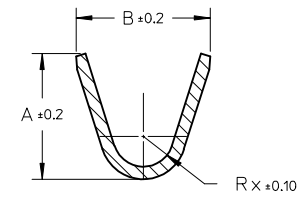
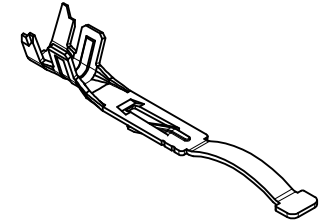
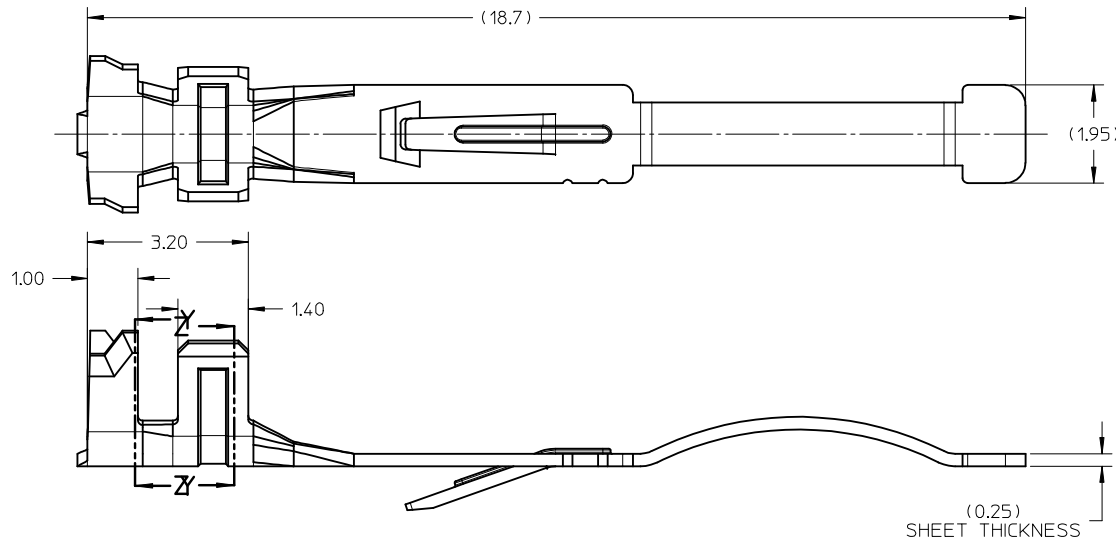
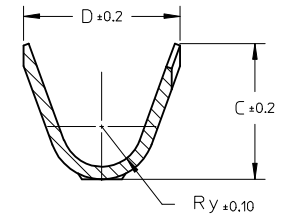


PART NO	AWG	A	B	Rx	C	D	Ry
368760001	20-22	2.50	2.70	0.60	2.70	3.10	0.80
368760002	24-26	2.35	2.70	0.25	2.20	2.40	0.70

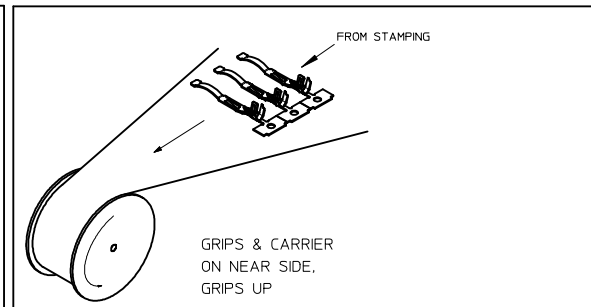
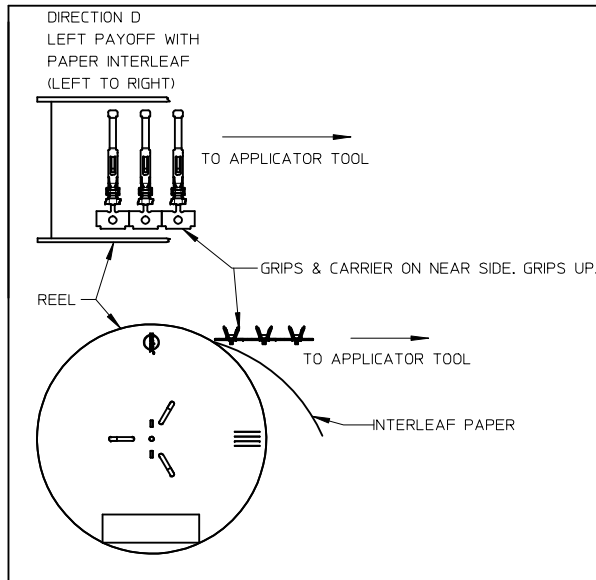


SECTION Z-Z



SECTION Y-Y

REELING DIRECTIONS



NOTES:

1. MATERIAL: HIGH COPPER
2. PLATING: TIN OVER NICKEL OVERALL
3. PRODUCT SPECIFICATION: PS-36876-001
4. PACKAGING SPECIFICATION: PK-36876-001
5. MATES WITH: IDENTICAL TERMINAL (SERIES 36876)
6. USED WITH: GENDERLESS CRIMP HOUSING SERIES 36877
7. COSMETIC SPECIFICATION: PS-45499-002 CLASS B

3D UPDATE: COSMETIC SPEC ADDED. EC NO: 12015-0009	2014/06/13	DRW: NCSR	2014/07/29
CHKD: APPR: KPRASAD			

REV	DESCRIPTION
△ F = 0	
△ E = 0	
△ G = 0	

GENERAL TOLERANCES (UNLESS SPECIFIED)	
	mm INCH
4 PLACES	± --- ± ---
3 PLACES	± --- ± ---
2 PLACES	± 0.13 ± ---
1 PLACE	± 0.25 ± ---
0 PLACE	± --- ± ---
ANGULAR ± 1/2°	
DRAFT WHERE APPLICABLE MUST REMAIN WITHIN DIMENSIONS	

DIMENSION STYLE MM ONLY	
DRAWN BY	DATE
NCSR	2013/10/28
CHECKED BY	DATE
APPROVED BY	DATE
KPRASAD	2013/10/29
MATERIAL NO.	
SEE TABLE	

SCALE 10:1	DESIGN UNITS METRIC	THIRD ANGLE PROJECTION
TITLE		
GENDERLESS TERMINAL 20-26 AWG DITTO INTERCONNECTS		
<b>molex</b>		
DOCUMENT NO.	SHEET NO.	
SD-36876-001	1 OF 1	