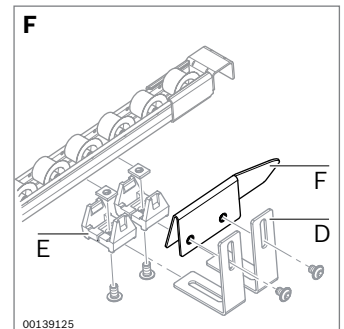
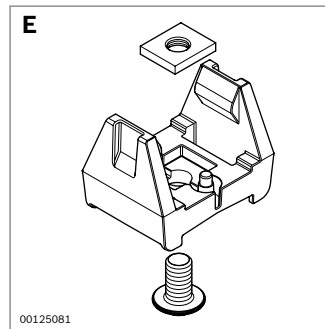
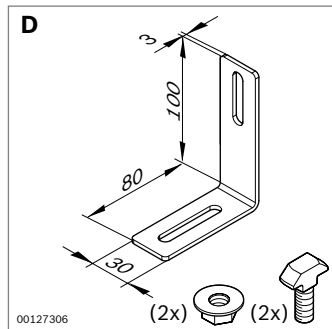
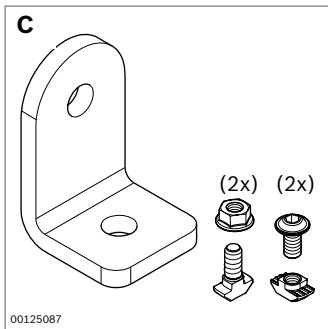
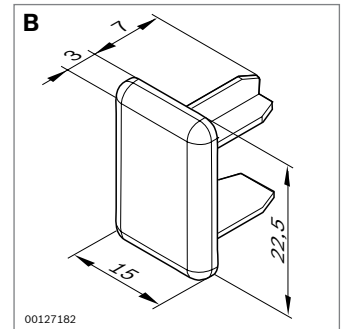
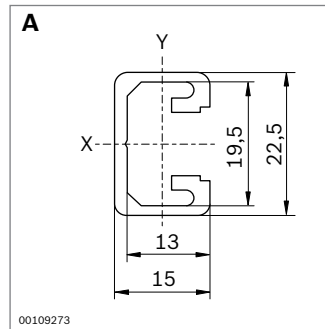
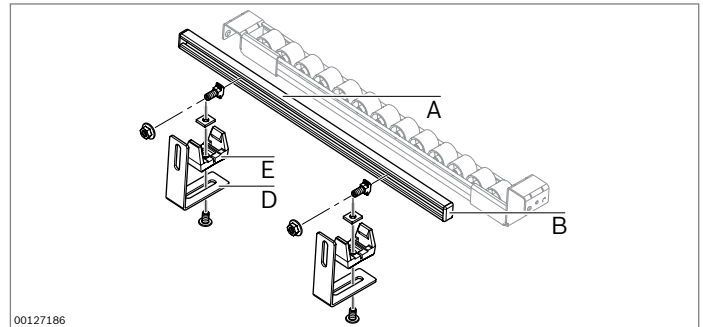
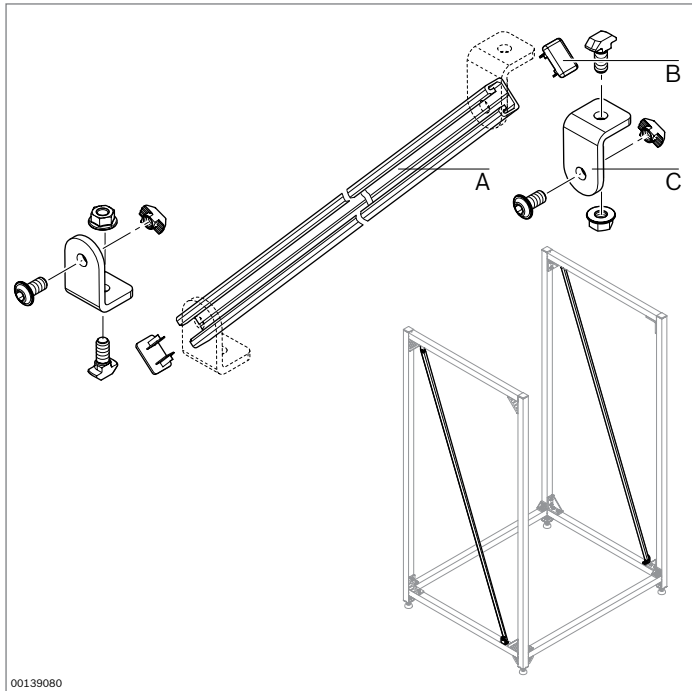


Reinforcement assembly element
Lateral guide assembly element



	L (mm)			ESD No.
A 15x22.5 profile; material: aluminum; anodized	50 ... 3000	1		3 842 992 473/L
	2000	10		3 842 513 576
B 15x22.5 cap; material: PP; black 15x22.5 cap; material: PP, signal gray			20	3 842 548 817
			20	3 842 548 816
C Bracket set, incl. fastening material for 10 mm slot; material: steel; galvanized			20	3 842 536 729
D Bracket set, incl. fastening material for 10 mm slot; material: steel; galvanized			20	3 842 535 125
E Adapter for XLean conveyor track; material: PA			20	3 842 537 022
F Right and left guide plate, incl. fastening material			Set	3 842 538 981