

## Features

- 2 Pin Cable Connector
- SF12 Series
- Solder Termination
- 2 Contacts
- Push-Pull Coupling
- Cable Outer Diameter: 4 – 6.5mm
- Used in Factory Automation, Robotics, Industrial Machinery, Railway & Transportation, Aerospace & Defence, Medical Equipment, Renewable Energy Systems etc.

## RS PRO Industrial Circular Connectors

RS Stock No.: 124-6739



RS PRO is the own brand of RS. The RS PRO Seal of Approval is your assurance of professional quality, a guarantee that every part is rigorously tested, inspected, and audited against demanding standards. Making RS PRO the Smart Choice for our customers.

## Product Description

*The RS Pro SF12 Series offers a range of high-precision, waterproof connectors designed to meet IP67 sealing standards. Featuring a push-pull coupling mechanism, these connectors ensure fast, secure, and reliable mating. The chrome-plated brass housings provide excellent durability while maintaining a sleek, professional appearance.*

*Available in in-line cable-to-cable and cable-to-panel configurations, the series includes plugs and receptacles with either male pins or female sockets. Suitable for both data and power transmission, the RS Pro SF12 Series is ideal for use in medical, communications, and test & measurement applications.*

## General Specifications

Number of Contacts	2
Shell Material	Brass with chrome plating
Insert Material	Polyphenylene Sulphide (PPS)
Contact Material	Brass Alloy
Contact Plating	Gold
Pole Format	P
Contact Gender	Male
Mating Type	Push-Pull
Mating Cycles	500
Colour	Silver

## Electrical Specifications

Plug/Socket	Plug
Termination	Solder
Current Rating (A)	13
Voltage Rating (V)	250
Insulation Resistance (M $\Omega$ )	2000
Contact Resistance (m $\Omega$ )	2.5

## Mechanical Specifications

Connector Series	SF12
Contact Diameter (mm)	ø1.6 x 2
Cable Outer Diameter (mm)	4 - 6.5
Wire size (mm <sup>2</sup> / AWG)	≤2/14

## Operation Environment Specifications

Operating Temperature	-40°C to 85°C
-----------------------	---------------

## Protection Category

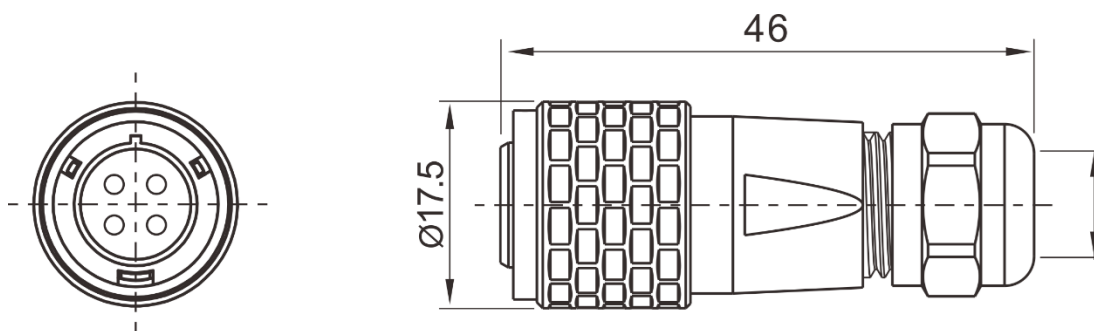
IP Rating	IP67
-----------	------

## Approvals

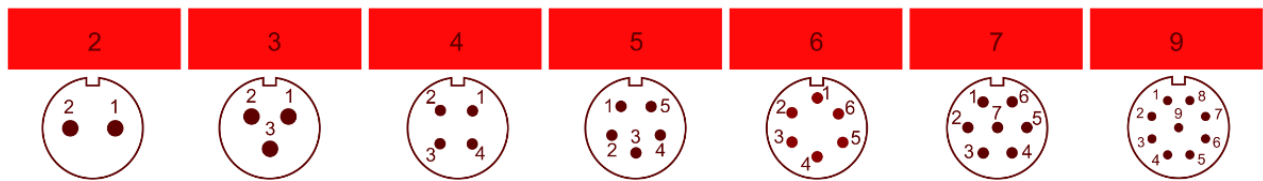
Compliance/Certifications	RoHS, CE
---------------------------	----------

## Mating Parts

In-line Cable Connector	124-6696
Front Panel Mount	124-6705



## Contact View



## Similar Products

Parameters	124-6739	124-6743	124-6740	124-6744	124-6741	124-6745	124-6742	124-6746
Number of Contacts	2	2	3	3	4	4	5	5
Current Rating	13	13	13	13	5	5	5	5
Voltage Rating	250	250	250	250	200	200	180	180
Contact Gender	Male	Male	Male	Male	Male	Male	Male	Male
Termination Method	Solder	Solder	Solder	Solder	Solder	Solder	Solder	Solder
Cable OD (mm <sup>2</sup> )	4 - 6.5	5 - 8	4 - 6.5	5 - 8	4 - 6.5	5 - 8	4 - 6.5	5 - 8

Parameters	206-5028	206-5029	206-5030	124-6731	124-6735	124-6732	124-6736
Number of Contacts	6	7	9	2	2	3	3
Current Rating	5	5	3	13	13	13	13
Voltage Rating	125	125	125	250	250	250	250
Contact Gender	Male	Male	Male	Female	Female	Female	Female
Termination Method	Solder	Solder	Solder	Solder	Solder	Solder	Solder
Cable OD (mm <sup>2</sup> )	5 - 8	5 - 8	5 - 8	4 - 6.5	5 - 8	4 - 6.5	5 - 8

Parameters	124-6733	124-6737	124-6734	124-6738	206-5031	206-5032	206-5033
Number of Contacts	4	4	5	5	6	7	9
Current Rating	5	5	5	5	5	5	3
Voltage Rating	200	200	180	180	125	125	125
Contact Gender	Female	Female	Female	Female	Female	Female	Female
Termination Method	Solder	Solder	Solder	Solder	Solder	Solder	Solder
Cable OD (mm <sup>2</sup> )	4 - 6.5	5 - 8	4 - 6.5	5 - 8	5 - 8	5 - 8	5 - 8