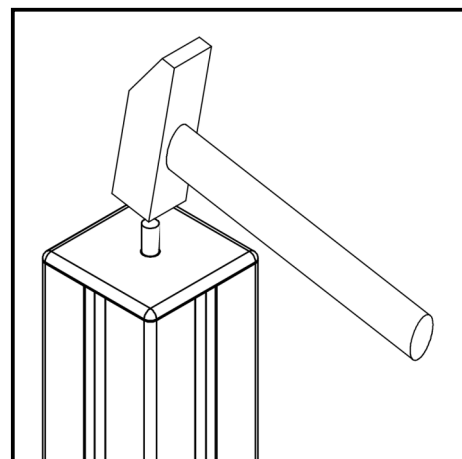
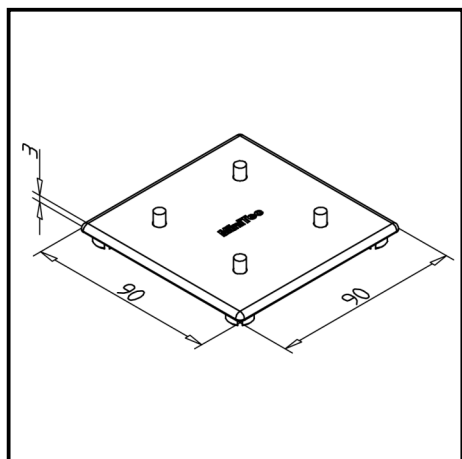


## END CAP 90X90 Z GREY

Article Nr. 22.0983/1

See the product on the website →

Download CAD Files →



### TECHN. DATA / ITEMS SUPPLIED

- ABS, Injection Mould, grey
- Weight = 0.020 kg/piece

### APPLICATIONS

- Mouth-side covering of profile ends of profile series 45

### ASSEMBLY

- Insert profile cap
- Use rubber hammer to drive in lock pin flush with the profile
- To dismantle, knock through the pin with a 4mm pin
- Spare pin set Part No. [22.1009/1](#) is required for reuse