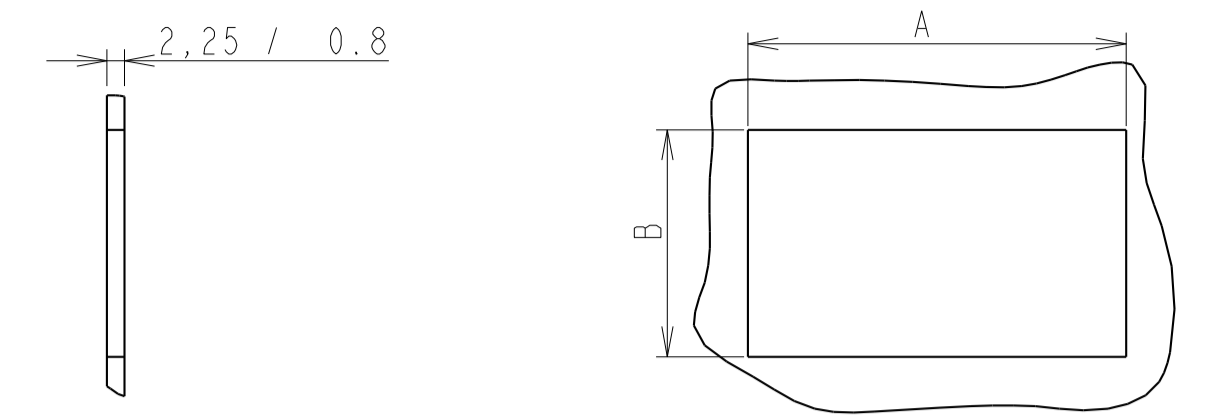
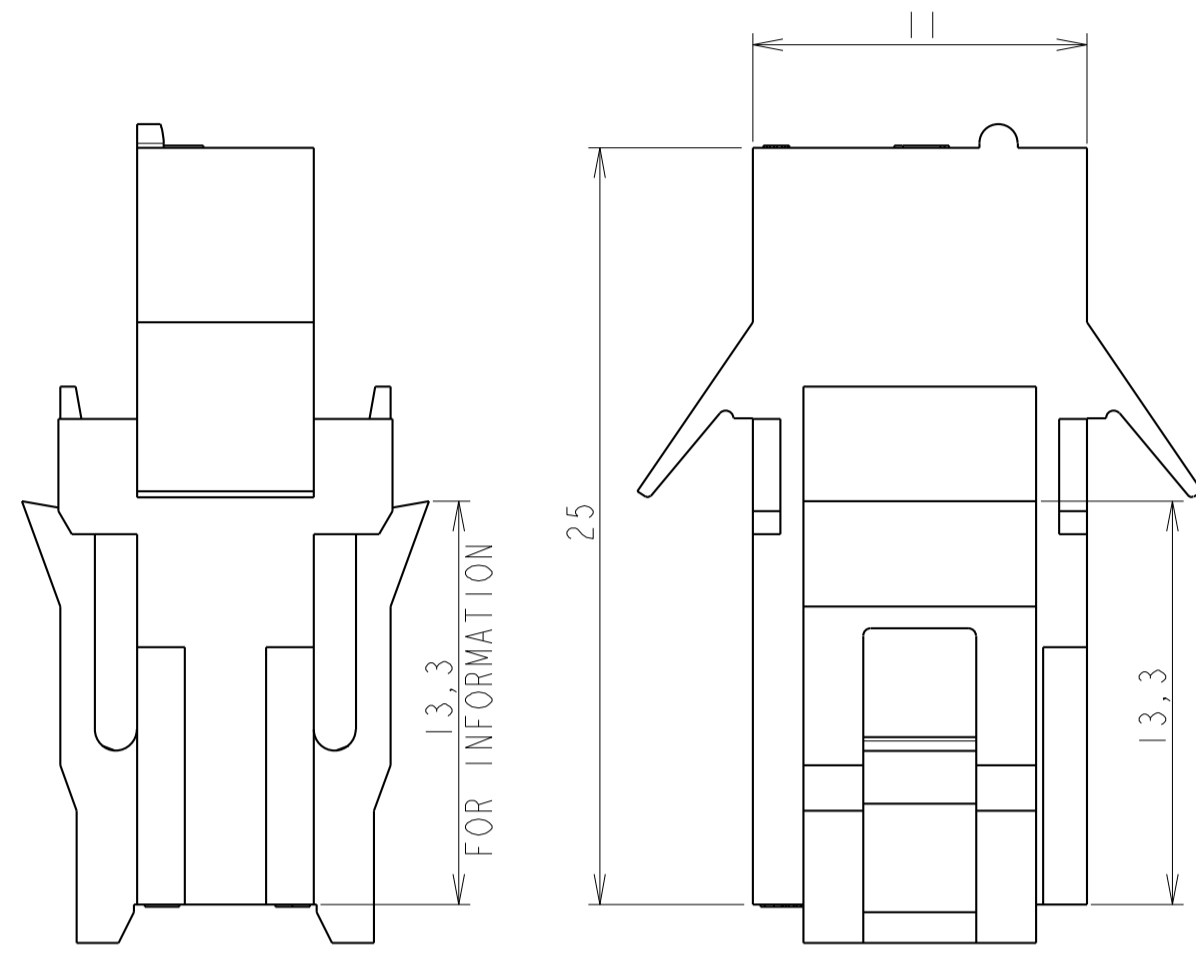
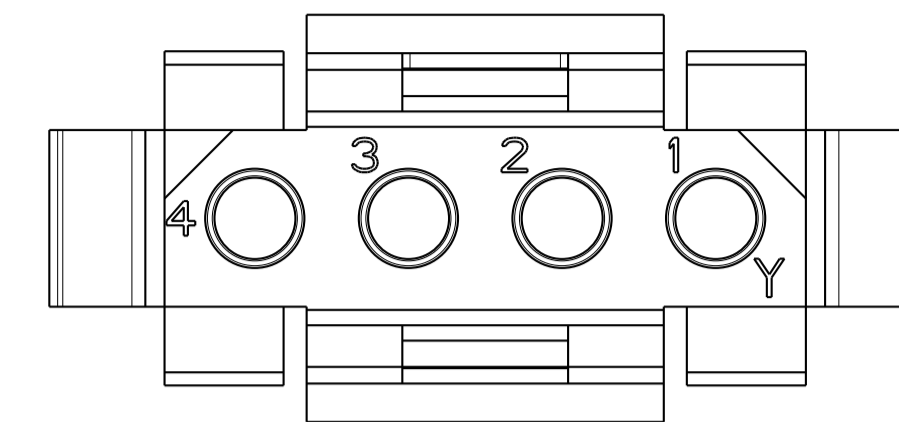
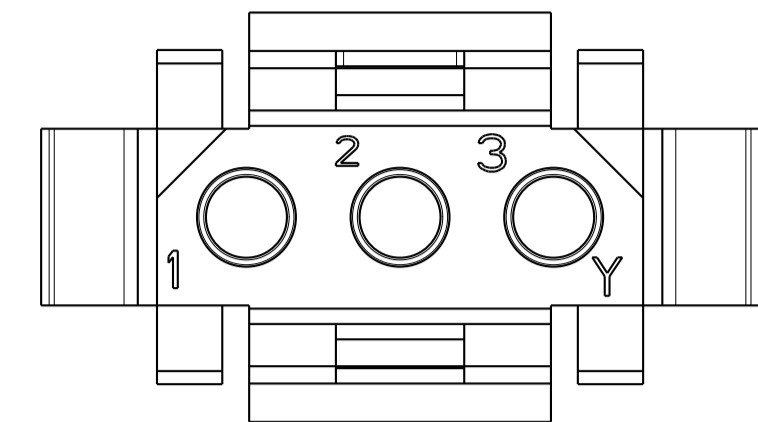
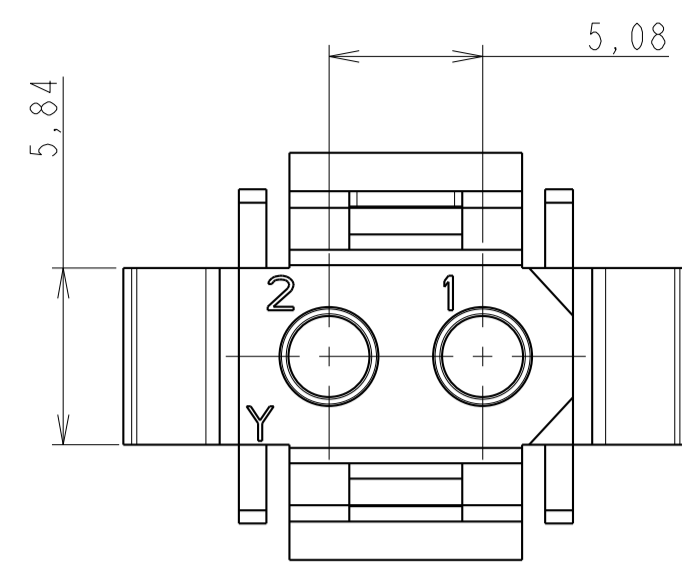


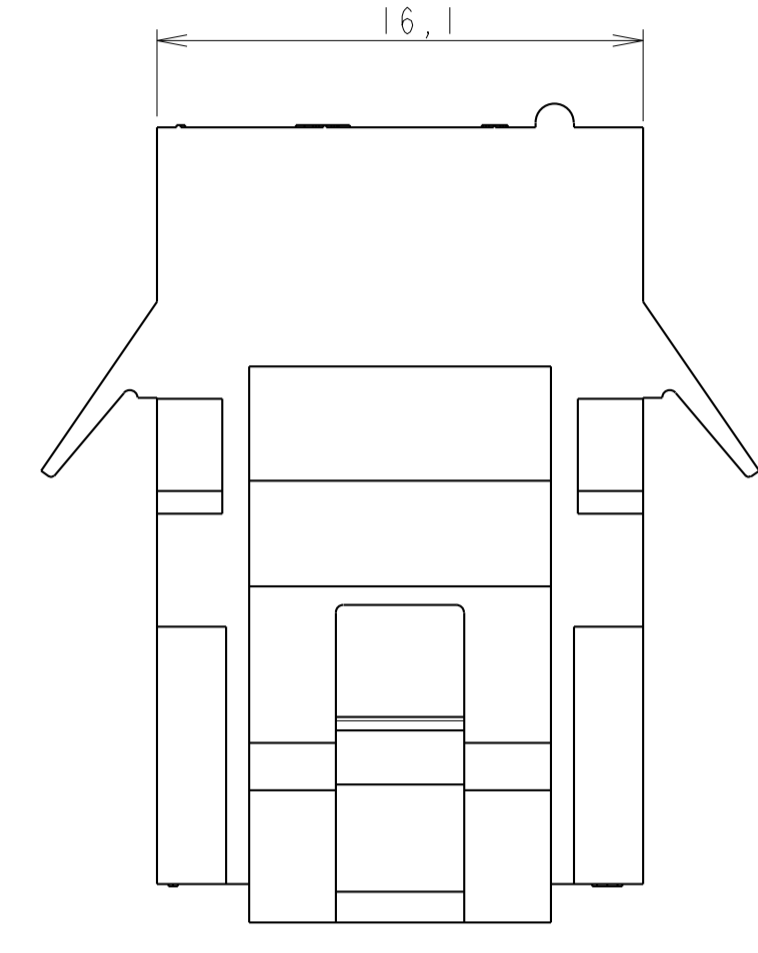
PANEL CUT OUT



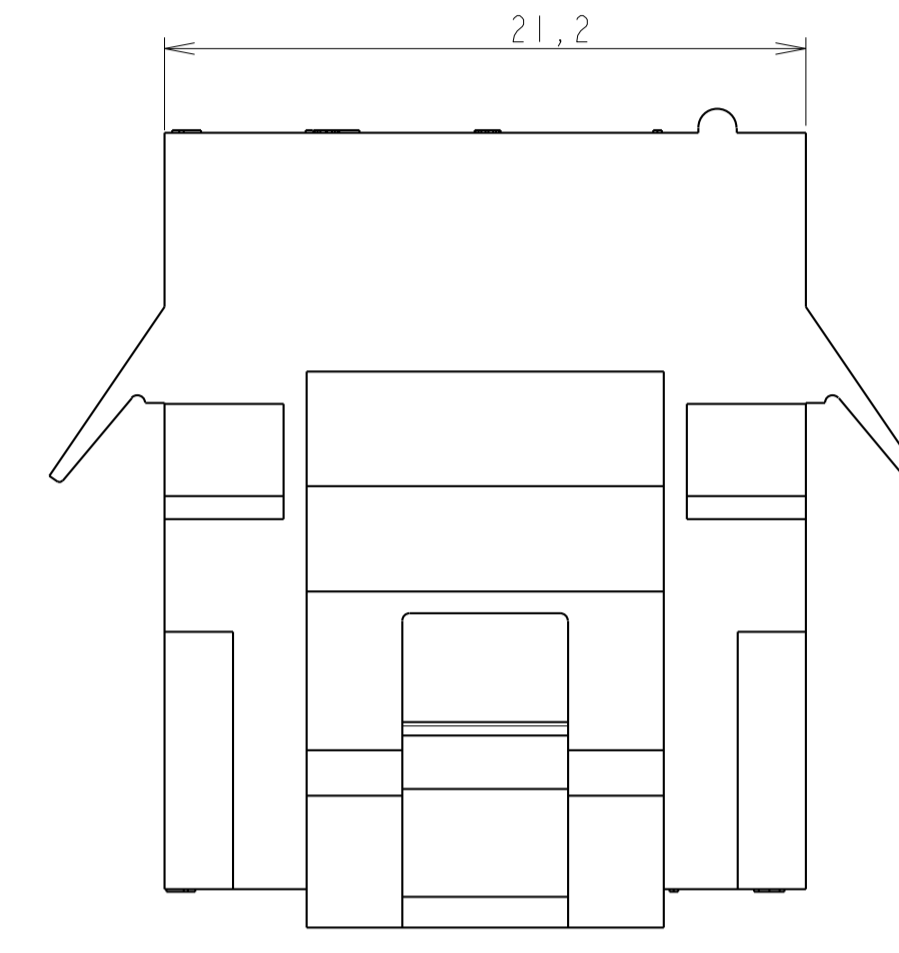
P / N :	WEIGHT (g)	A	B
SMS 2 R3	1,6	11,55	11,45
SMS 3 R3	2,2	11,55	16,5
SMS 4 R3	3,1	11,55	21,6
SMS 6 R3	3,8	16,65	16,5
SMS 9 R3	5,2	16,65	21,6
SMS 12 R3	6,8	16,65	26,7
SMS 15 R3	7,9	16,65	31,75
SMS 18 R3	9,5	16,65	36,8
SMS 24 R3	12,4	21,7	36,8
SMS 36 R3	18,5	26,7	47,1



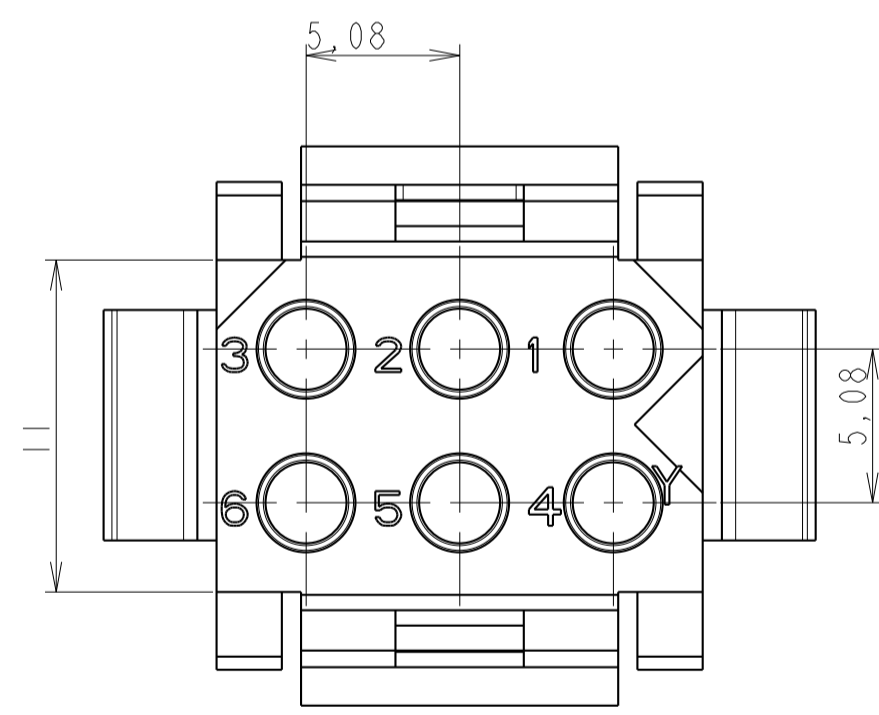
RECEPTACLE CONNECTOR
SMS2R3



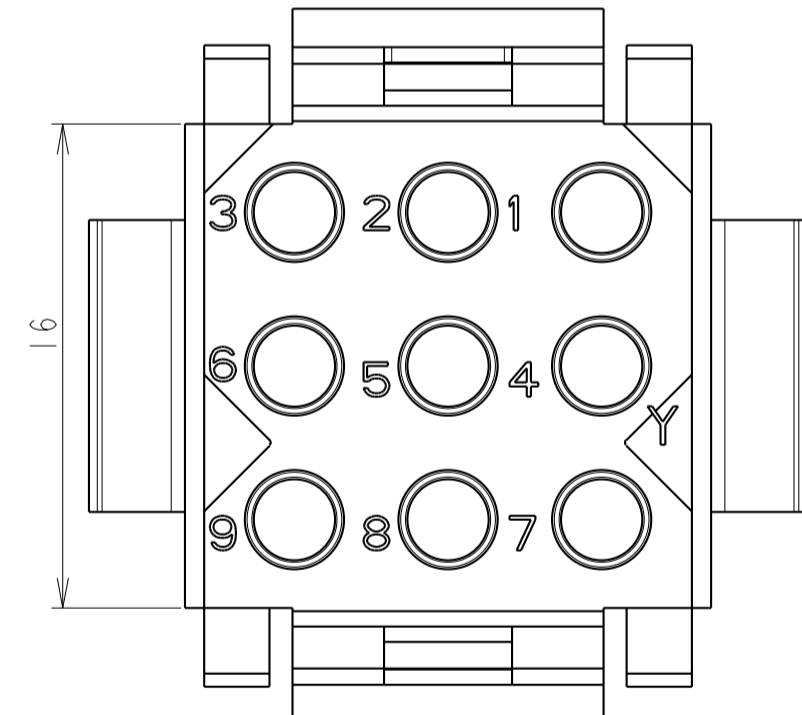
RECEPTACLE CONNECTOR
SMS3R3



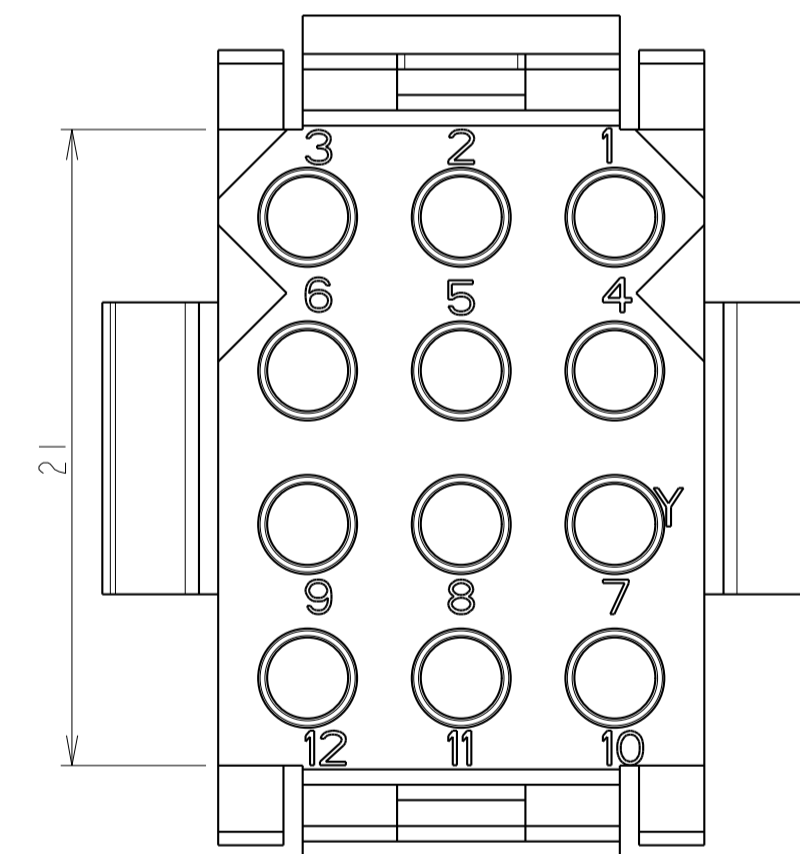
RECEPTACLE CONNECTOR
SMS4R3



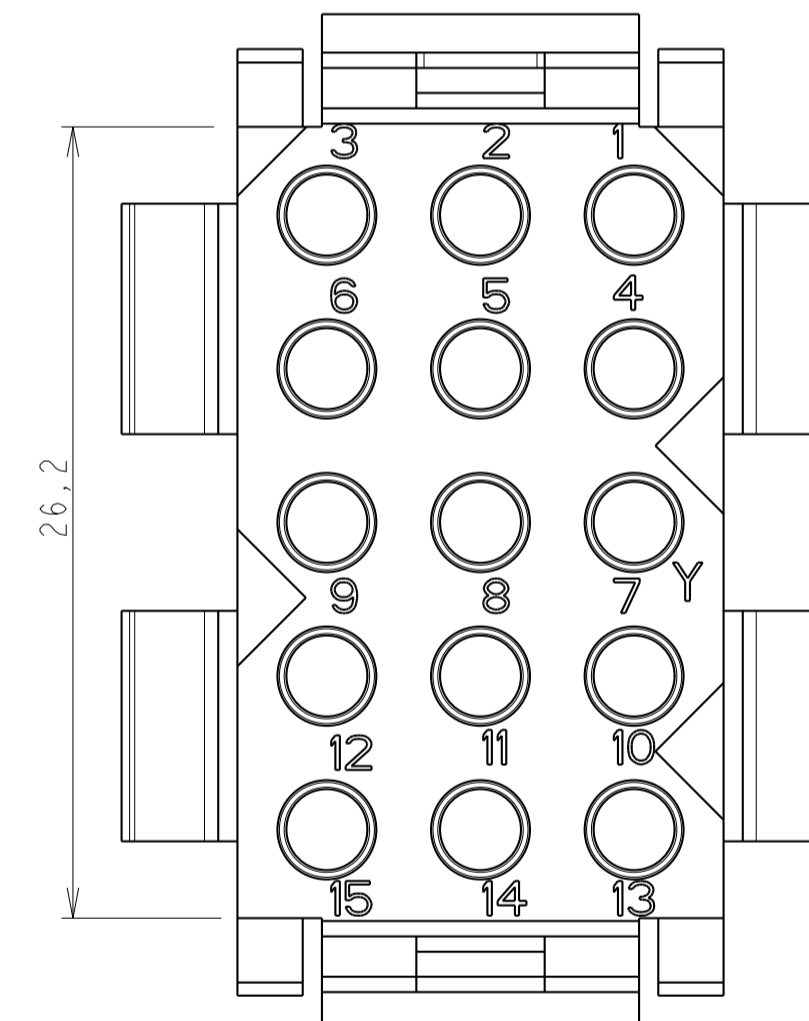
RECEPTACLE CONNECTOR
SMS6R3



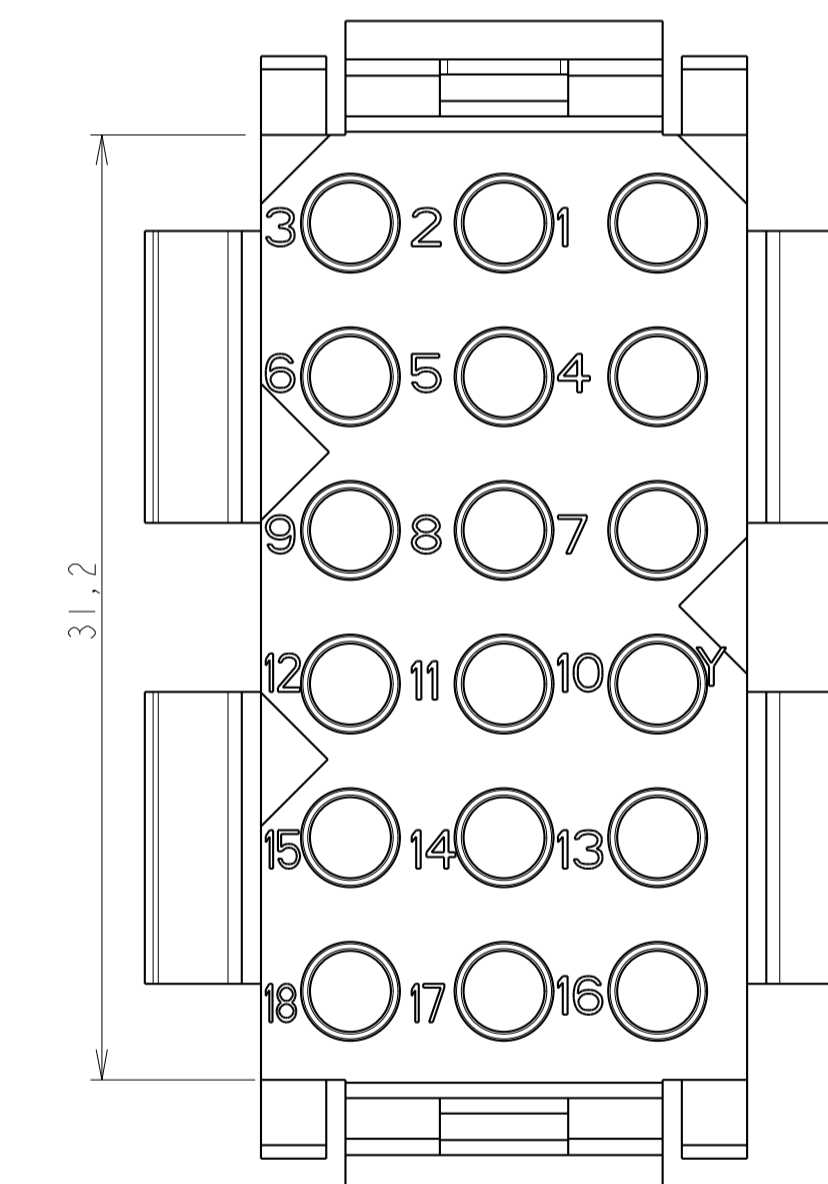
RECEPTACLE CONNECTOR
SMS9R3



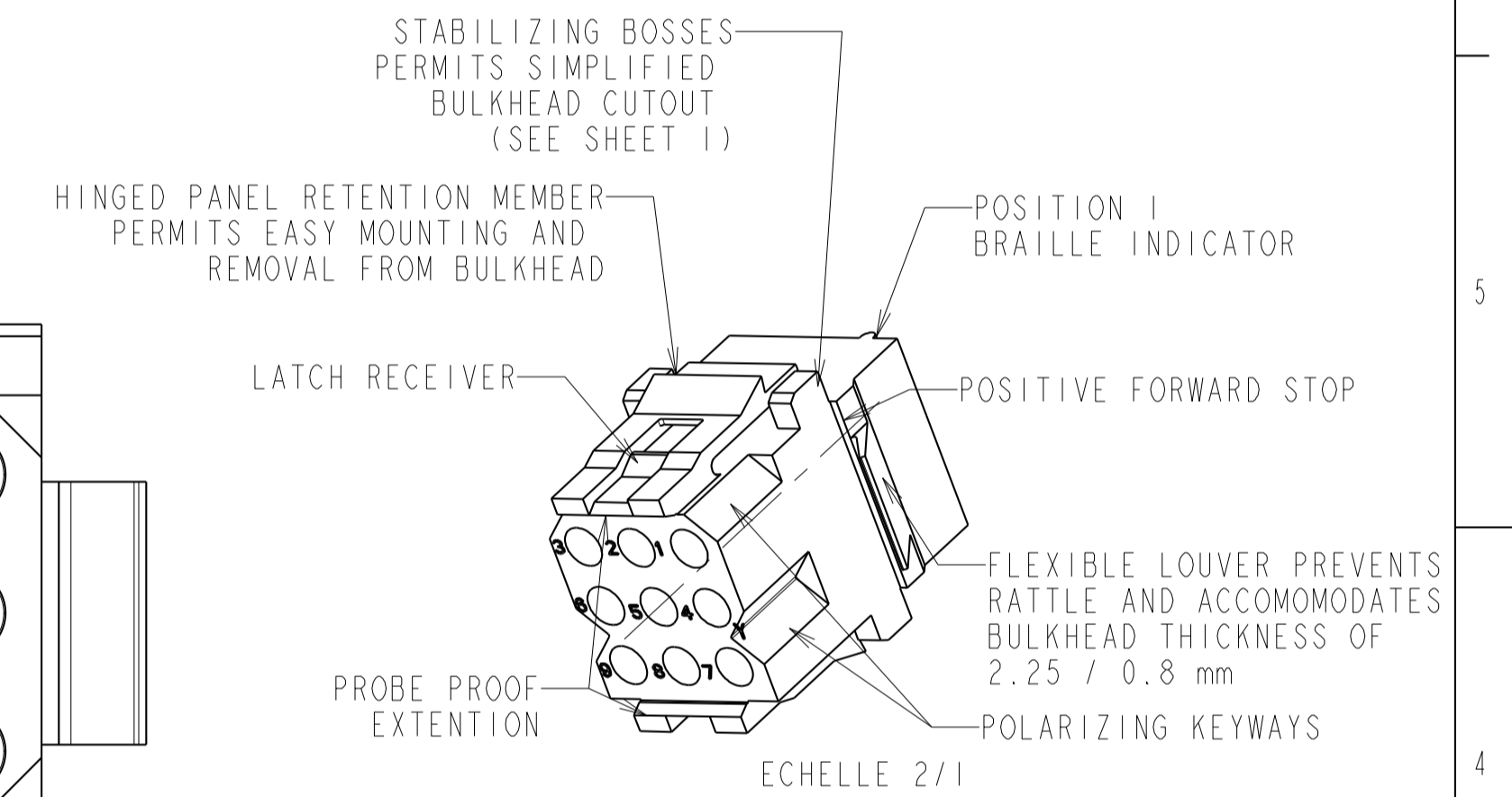
RECEPTACLE CONNECTOR
SMS12R3



RECEPTACLE CONNECTOR
SMS15R3

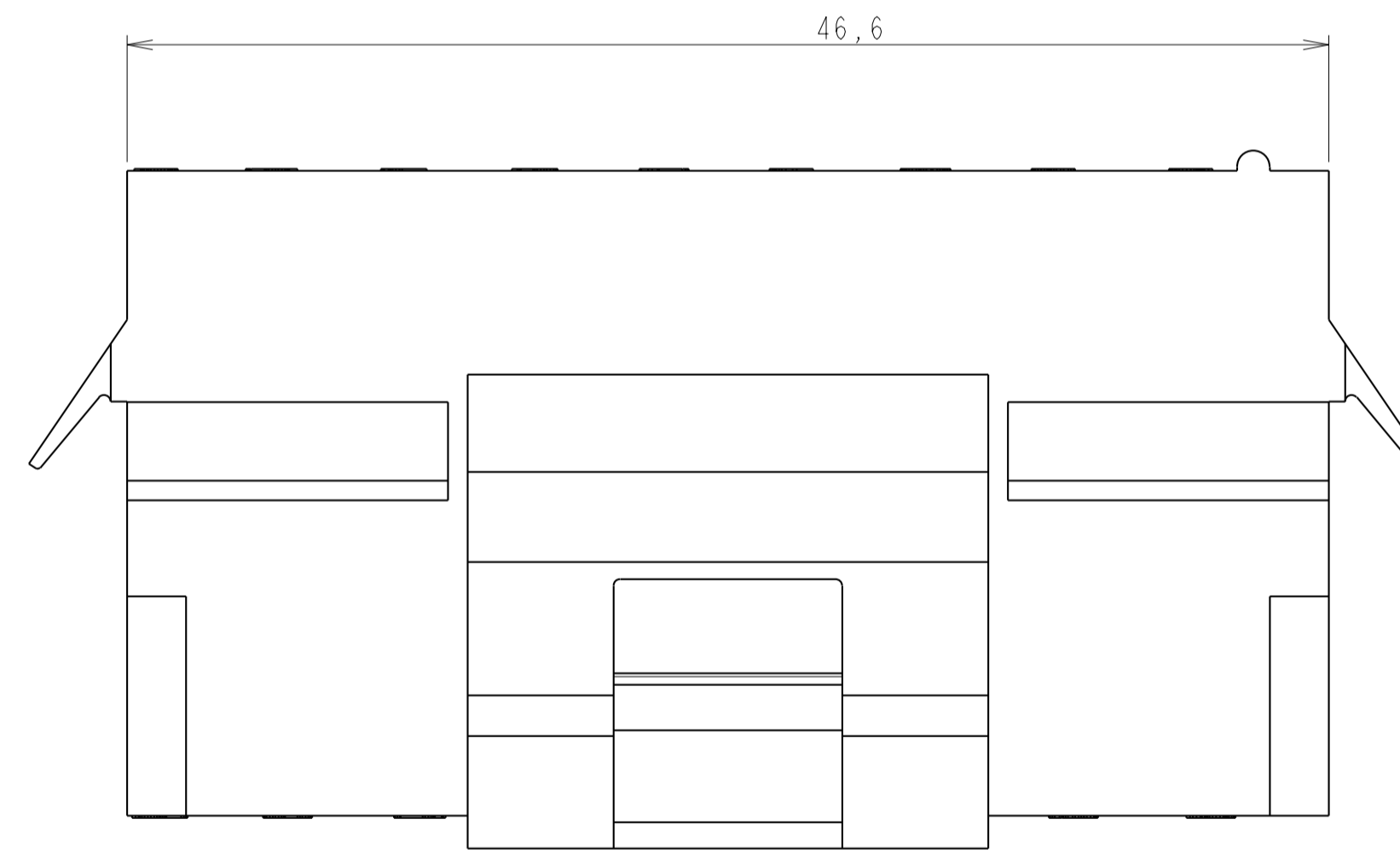
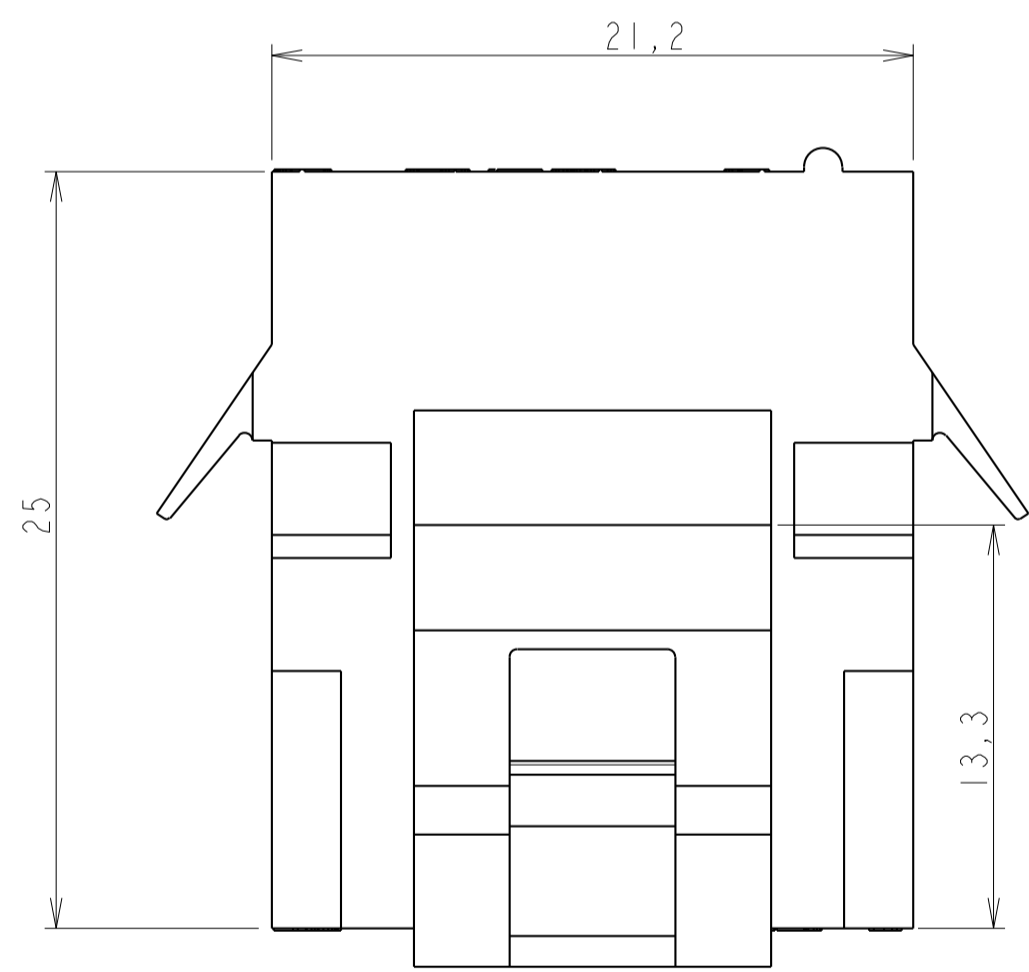
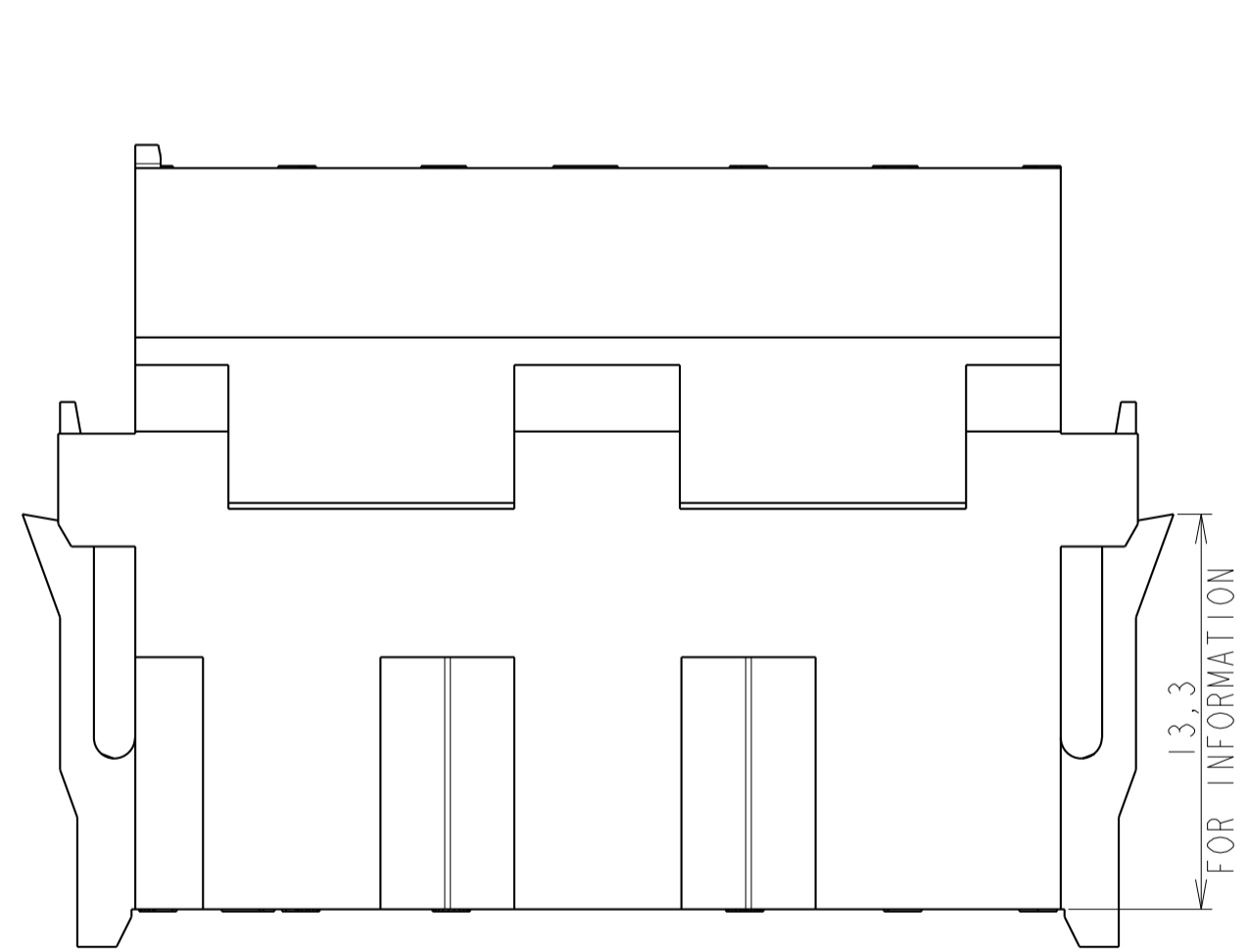
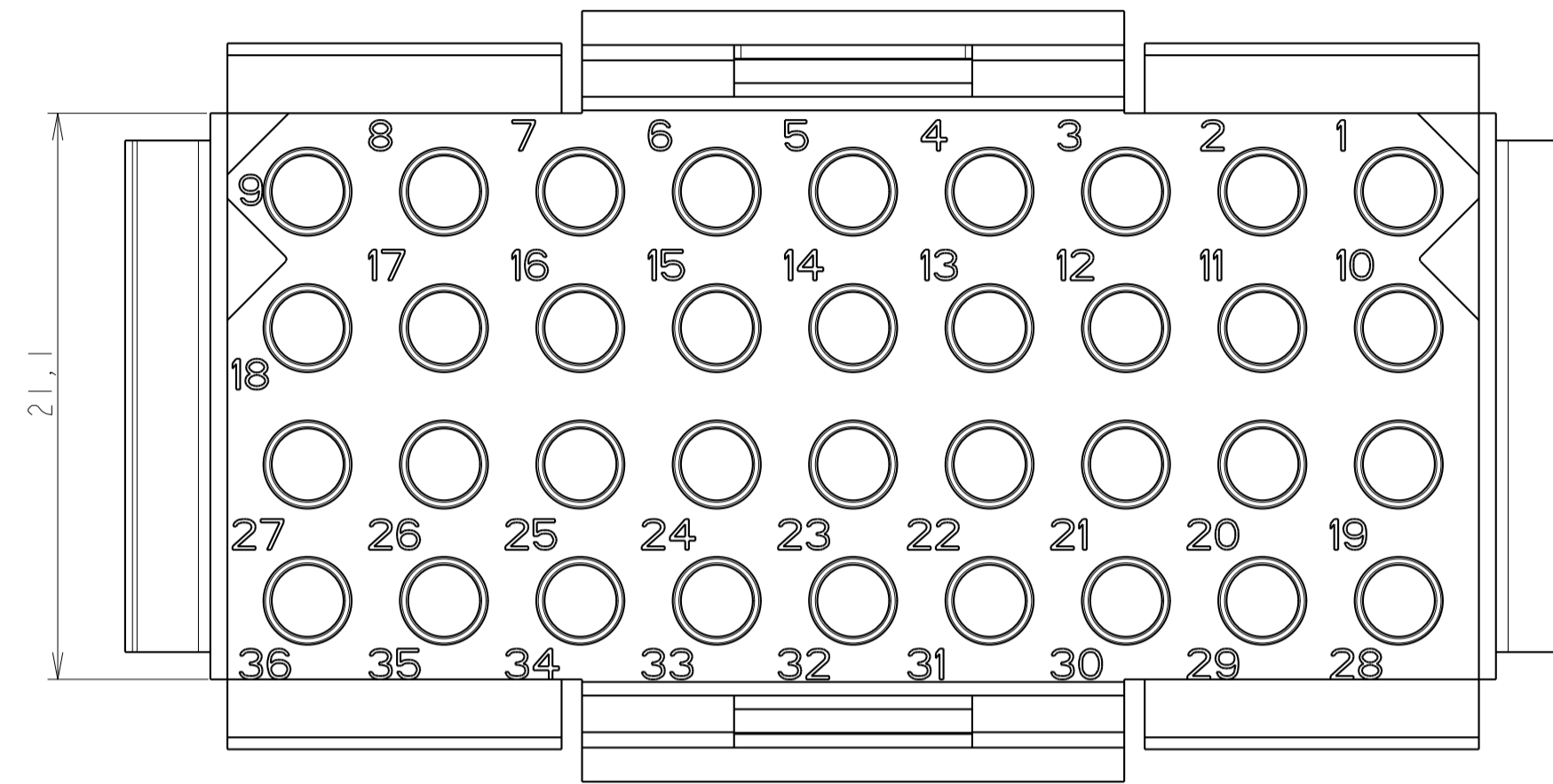
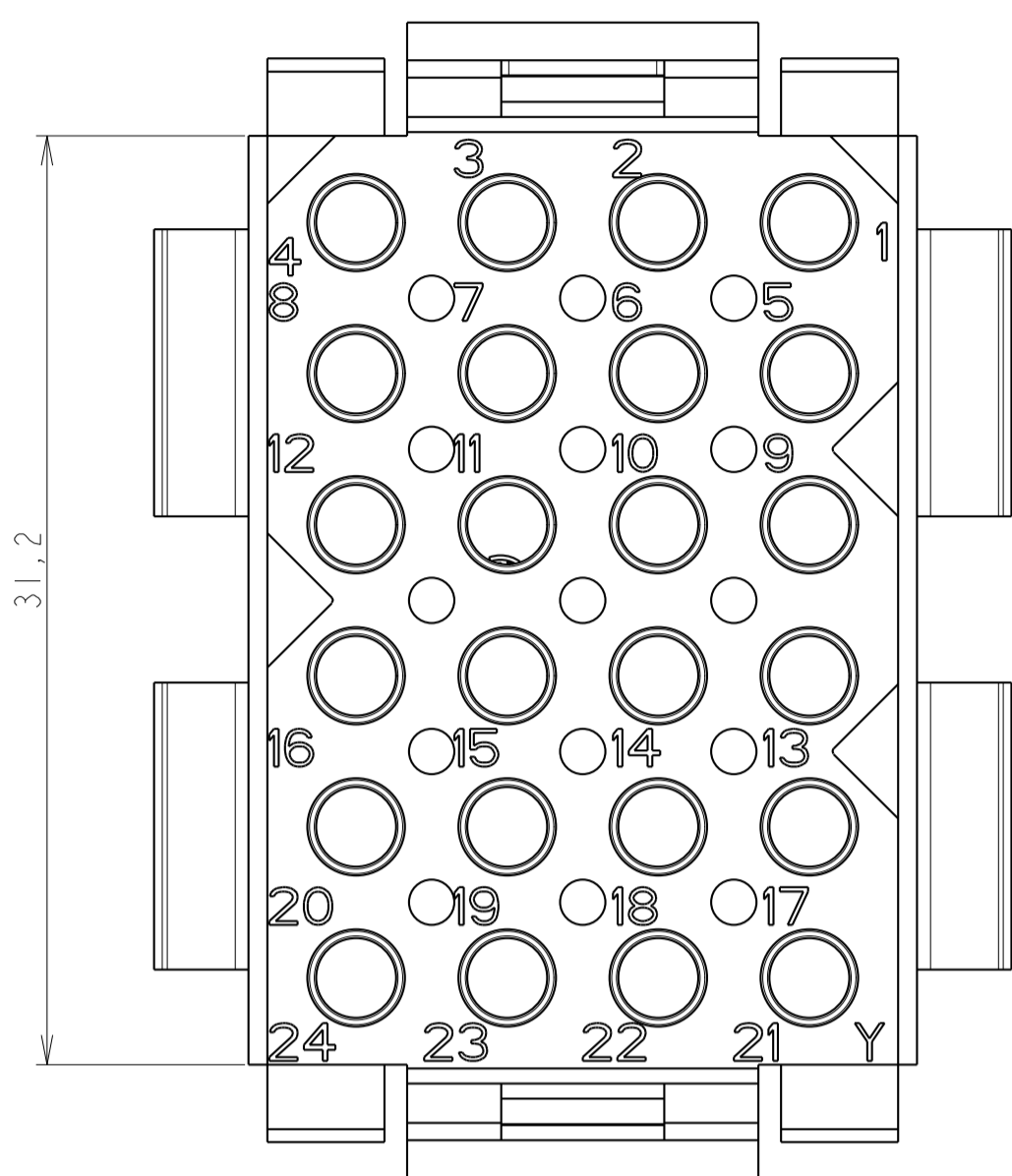


RECEPTACLE CONNECTOR
SMS18R3



CUSTOMER DRAWING

Q	11/05/09	--	First issue		
ISS	DATE	Latest modification by:	--	MOD N°	
Designed by:		RAGAINÉ M. Date: 07/05/09		Type of drawing: CUSTOMER	
Checked by:		SEE DISTRIBUTION LIST		Date: SEE DISTRIBUTION LIST	
TITLE RAILWAY SMS CONNECTOR					
Scale	General angular 3/1	Tolerances: ±1*	MATERIAL	--	
Geometrical Tolerances See NF E 04-552	General linear Tolerances ±0,2		General machining surface texture	PROJECT IC081207A	
	SOURIAU Route Nationale 23 72470 CHAMPAGNE Tel.: (33)02.43.54.35.00		This document is the property of SOURIAU It must not be reproduced or communicated without permission		
FORMAT A1	DRAWING REFERENCE BSC201424018			SHEET 1 / 2	



RECEPTACLE CONNECTOR
SMS24R3

RECEPTACLE CONNECTOR
SMS36R3

CHARACTERISTICS	PERFORMANCE
TEMPERATURE	-40°C TO 105°C
INSULATION RESISTANCE	5000 MEGAOHMS AT 500V D.C.
TEST POTENTIAL (1MIN DURATION) AT SEA LEVEL	2000V A.C.
CONTACT RETENTION IN CONNECTOR (MIN.)	44,5 N
CONNECTOR MATING FORCES	2 POSITIONS - 4,5 N 3 POSITIONS - 6,1 N 4 POSITIONS - 8,9 N 6 POSITIONS - 13,35 N 9 POSITIONS - 19,5 N 12 POSITIONS - 26,7 N 15 POSITIONS - 33 N 18 POSITIONS - 40 N 24 POSITIONS - 53,5 N 36 POSITIONS - 80 N
HUMIDITY (240 HRS. AT 40°C, 90-95 R.H.)	MEET INSULATION RESISTANCE AND TEST VOLTAGE REQUIREMENTS
DURABILITY	SHALL WITHAND 500 MATINGS AND UNMATINGS
MATERIAL	POLYAMID PA 6 / UL94-V0 COLOR GREY I3F2 in accordance with NF F 16101 and NF F 16102 standard

CONTACTS
 THIS CONNECTOR MUST BE USED WITH #16 CONTACTS IT WILL ACCOMODATE WIRE INSULATION UP TO Ø 4.19 MAX. PLEASE REFER TRIM TRIO CATALOG

COUNTER PART :
 SMS XX PX
 SMS XX PDX
 SMS XX PDHX
 SEE SMS CATALOG

CUSTOMER DRAWING

Q	11/05/09	--	First issue	--
ISS	DATE	Latest modification	by:	MOD N°
Designed by: RAGAINÉ M.		Date: 07/05/09	Type of drawing: CUSTOMER	
Checked by: SEE DISTRIBUTION LIST		Date: SEE DISTRIBUTION LIST		
TITLE		RAILWAY SMS CONNECTOR		
Scale	General angular	MATERIAL		
3/1	Tolerances: ± 1'	--		
	General linear	General machining	Geometrical Tolerances	PROJECT
	Tolerances ±0,2	surface texture	See NF E 04-552	IC081207A
		SOURIAU Route Nationale 23 72470 CHAMPAGNE Tel. (33)02.43.54.35.00		This document is the property of SOURIAU It must not be reproduced or communicated without permission
FORMAT	DRAWING REFERENCE			SHEET
A1	BSC201424018			2 / 2