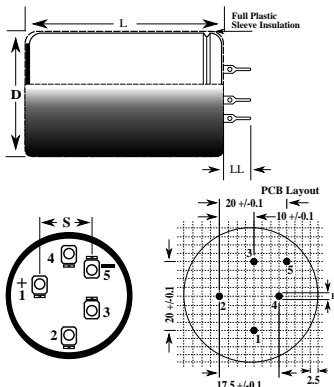


KEMET Part Number: ALP22A471DE450 Not for New Design
(A622HN471M450A)

ALP22, Aluminum Electrolytic, 470 uF, 20%, 450 VDC, -40/+85°C



General Information	
Supplier:	KEMET
Series:	ALP22
Dielectric:	Aluminum Electrolytic
Description:	Solder Pin, Aluminum Electrolytic
Features:	Solder Pin
RoHS:	Yes
Lead:	5 Pin Solder
AEC-Q200:	No
Notes:	Dimensions D And L Include Sleevling

Dimensions	
D	40mm +/-1mm
L	75mm +/-2mm
S	20mm +/-0.1mm
LL	7.5mm +/-0.5mm
F	1.3mm

Specifications	
Capacitance:	470 uF
Capacitance Tolerance:	20%
Voltage DC:	450 VDC, 495 VDC (Surge)
Temperature Range:	-40/+85°C
Rated Temperature:	85°C
Life:	26000 Hrs
Leakage Current:	1269 uA (5min 20°C)

Packaging Specifications	
Weight:	125 g
Sleevling:	Yes
Packaging:	Bulk, Bag