

Product data sheet

Specifications



Photoelectric sensors XU, XUY 989, emitter, 12...24 VDC, cable 2 m

XUYE989

! Discontinued on: 20 April 2022

! Discontinued

Main

Range of product	Telemecanique Photoelectric sensors XU
Series name	Application
Electronic sensor type	Photo-electric sensor
Sensor name	XUY
Sensor design	Miniature
Detection system	Thru beam
Material	Plastic
Supply circuit type	DC
Wiring technique	2-wire
Discrete output function	1 NO or 1 NC programmable
Electrical connection	Cable
Cable length	2 m
Product specific application	Conveyor system and access control series
Emission	Red LED, pulsed
[Sn] nominal sensing distance	1 m polarised reflex 4 m thru beam 0.08 m diffuse with background suppression 0.25 m diffuse with adjustable sensitivity

Complementary

Enclosure material	ABS
Lens material	PMMA
Cover material	PVC
Pulse frequency	6 kHz
[Us] rated supply voltage	12...24 V DC with reverse polarity protection
Supply voltage limits	10...30 V DC
Switching capacity in mA	100 mA (overload and short-circuit protection)
Switching frequency	500 Hz
Maximum voltage drop	<2 V at 100 mA (closed state) <1 V at 10 mA (closed state)

Current consumption	< 25 mA no-load
Maximum delay response	1 ms
Net weight	0.075 kg

Environment

Product certifications	cULus CE
Ambient air temperature for operation	0...50 °C
Ambient air temperature for storage	-20...80 °C
Immunity to ambient light	10000 lux natural light 5000 lux incandescent bulb
IP degree of protection	IP65 conforming to IEC 60529 IP67 conforming to IEC 60529

Packing Units

Unit Type of Package 1	PCE
Number of Units in Package 1	1
Package 1 Weight	74.0 g
Package 1 Height	3.5 cm
Package 1 width	7.0 cm
Package 1 Length	13.0 cm

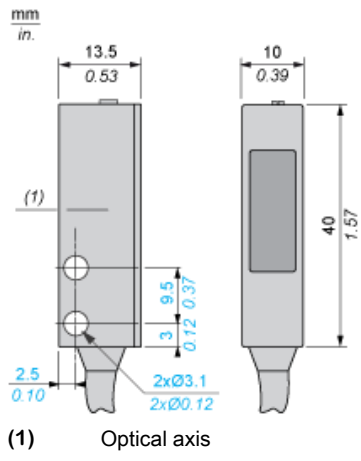
Offer Sustainability

REACH Regulation	REACH Declaration
EU RoHS Directive	Pro-active compliance (Product out of EU RoHS legal scope) EU RoHS Declaration
Mercury free	Yes
RoHS exemption information	Yes
California proposition 65	WARNING: This product can expose you to chemicals including: Diisononyl phthalate (DINP), which is known to the State of California to cause cancer, and Di-isodecyl phthalate (DIDP), which is known to the State of California to cause birth defects or other reproductive harm. For more information go to www.P65Warnings.ca.gov

Contractual warranty

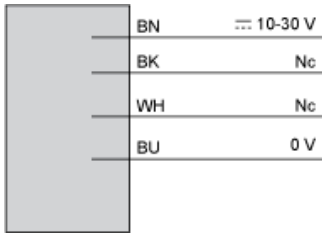
Warranty	18 months
-----------------	-----------

Dimensions



Connections and Schemes


Transmitter



- BN** : Brown
- BU** : Blue
- BK** : Black
- WH** : White
- Nc** : Not connected

Recommended replacement(s)

XUYE989 is replaced by the following product range:



Photoelectric sensors XU
Photo-electric sensors
Products: 834