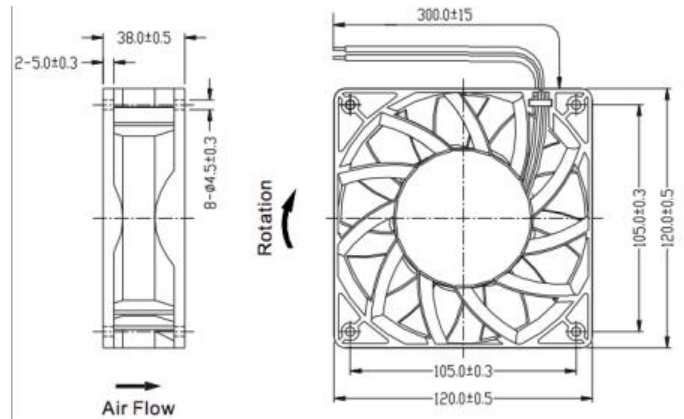


Datasheet

DC Axial Fan

RS Stock number 703-3470

Dimensions: (mm)



Specification

Frame & Impeller	PBT, UL94V-O plastic	Options: Tachometer - Open Collector (GREEN) PWM Input (BLUE) Life Expectancy (L10) Ball - 60,000 hrs (45C) Operating Temperature Ball: -20 ~ 60C	<p>Static Pressure ("H2O) vs Airflow (CFM)</p>
Connection	4x Lead wires 24AWG + YEL, - BLACK		
Motor	Brushless DC, auto restart, polarity protected		
Bearing System	Dual ball bearing		
Insulation Resistance	10M ohm between leadwire and frame (500VDC)		
Dielectric Strength	1 second at 500 VAC, max leakage - 500 MicroAmp		
Life (L10)	65,000 hours (45C)		

RS Order Number	7033470
Model Number	OD1238-48HB-VXC10a
Part Number	123442220
Nominal Voltage	48 VDC
Voltage Range	24 ~ 55 VDC
Amps	1.0
Rated Speed (RPM)	5000
Airflow (CFM)	226
Noise Level (dB)	65
Max. Static Pressure	1.35" H ₂ O

