

IEC Appliance Inlet C14 with Line Switch 1-pole



Snap-In Version



Description

- Panel Mount:
Snap-in version, from front side, Appliance Inlet, Protection class I, Line Switch 1-pole
- Solder terminals or quick connect terminals

Approvals

- VDE Certificate Number: 40017874
- UL File Number: E88880
- CSA File Number: 1084381

Characteristics

- Line switch non-illuminated

References

Alternative: with 1- or 2-pole switch illuminated

Weblinks

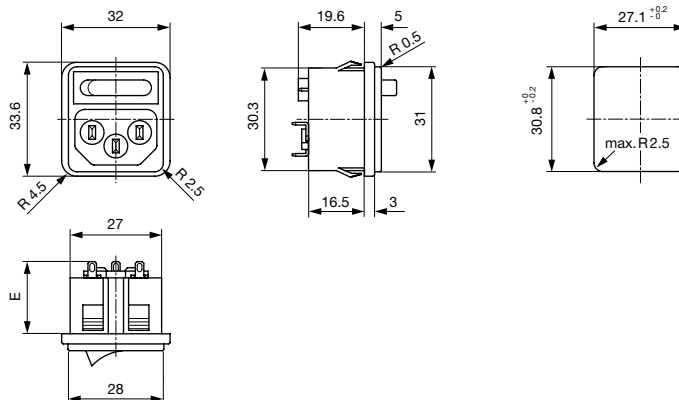
[pdf-datasheet](#), [html-datasheet](#), [General Product Information](#), [Approvals](#), [CE declaration of conformity](#), [RoHS](#), [CHINA-RoHS](#), [REACH](#), [Mating Connectors](#), [e-Shop](#), [SCHURTER-Stock-Check](#), [Distributor-Stock-Check](#), [CAD-Drawings](#), [Accessories](#), [Detailed request for product](#)

Technical Data

Ratings IEC	10A / 250VAC; 50Hz
Ratings UL/CSA	6A / 250VAC; 60Hz
Dielectric Strength	> 3 kVAC between L-N > 1.5 kVAC between L/N-PE (1 min/50Hz)
Allowable Operation Temp.	-25 °C to 70 °C
Degree of Protection	from front side IP 20 acc. to IEC 60529
Protection Class	Suitable for appliances with protection class I acc. to IEC 61140
Terminal	Solder terminals or quick connect terminals
Panel Thickness s	Snap-in1.0 - 2.5 mm
Material: Housing	PA6, black, UL 94V-0

Appliance Inlet	C14 acc. to IEC 60320 UL 498, CSA C22.2 no. 42 (for cold conditions) pin-temperature 70 °C, 10A, Protection Class I
Line Switch	Rocker switch 1-pole, non-illuminated black, acc. to IEC 61058-1 Technical Details

Dimensions



- E: Quick-connect terminals 4.8x0.8 mm: 26.4 mm
- E: Quick-connect terminals 6.3x0.8 mm: 27.4 mm
- E: Solder terminals short: 22.0 mm
- E: Solder terminals long: 25.6 mm

Config. Code

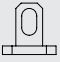


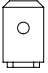
1074 - H - ABCN - D - EGOP

The characters are placeholders for the correspondingly keys of selections from the key tables.

1074 - **H** - ABCN - D - EGOP = Type

Type	Configuration key
protection class I	X

1074 - H - **A** BCN - D - EGOP = Terminals

Terminal L	Configuration key
short solder terminal (L = 4.8 mm) 	2
long solder terminal (L = 8.5 mm) 	3
Blade terminal (4.8 x 0.8 mm) 	8
Blade terminal (6.3 x 0.8 mm) 	9

1074 - H - A **B** CN - D - EGOP = Terminals

Terminal N	Configuration key
short solder terminal (L = 4.8 mm)	2
long solder terminal (L = 8.5 mm)	3
Blade terminal (4.8 x 0.8 mm)	8
Blade terminal (6.3 x 0.8 mm)	9

Symbols similar as in table A

1074 - H - AB **C** N - D - EGOP = Terminals

Terminal Ground	Configuration key
short solder terminal (L = 4.8 mm)	2
long solder terminal (L = 8.5 mm)	3
Blade terminal (4.8 x 0.8 mm)	8
Blade terminal (6.3 x 0.8 mm)	9

Symbols similar as in table A

1074 - H - ABC **N** - D - EGOP = Terminal Fuseholder

Terminal Fuseholder	Configuration key
without terminal	0

1074 - H - ABCN - **D** - EGOP = Color

Color	Configuration key
Black	A

1074 - H - ABCN - D - **E** GOP = Style

Style	Configuration key
snap-in standard type	3

1074 - H - ABCN - D - E **G** OP = Mass S

Mass "s"	Configuration key
00	

The dimension "S" is displayed in ($1/_{10}$ mm). This information is also valid for the order code1074 - H - ABCN - D - EG **O** P = Features

Features	Configuration key
not used	0

1074 - H - ABCN - D - EGOP = Switches

Switches	Configuration key
unipolar switch, 4,8mm blade terminal, black rocker	2

All Variants

Config. Code	Description	Order Number
1074-X-2220-A-30002	1074, IEC Power Entry Module C14, 70°C, version: protection class I, L: short solder terminal (L = 4.8 mm), N: short solder terminal (L = 4.8 mm), ground: short solder terminal (L = 4.8 mm), fuseholder: without terminal, color: Black, design: snap-in standard type, dimension S: 00, features: not used, unipolar switch, 4,8mm blade terminal, black rocker	4304.6040
1074-X-8880-A-30002	1074, IEC Power Entry Module C14, 70°C, version: protection class I, L: Blade terminal (4.8 x 0.8 mm), N: Blade terminal (4.8 x 0.8 mm), ground: Blade terminal (4.8 x 0.8 mm), fuseholder: without terminal, color: Black, design: snap-in standard type, dimension S: 00, features: not used, unipolar switch, 4,8mm blade terminal, black rocker	4304.6041
1074-X-9990-A-30002	1074, IEC Power Entry Module C14, 70°C, version: protection class I, L: Blade terminal (6.3 x 0.8 mm), N: Blade terminal (6.3 x 0.8 mm), ground: Blade terminal (6.3 x 0.8 mm), fuseholder: without terminal, color: Black, design: snap-in standard type, dimension S: 00, features: not used, unipolar switch, 4,8mm blade terminal, black rocker	4304.6042

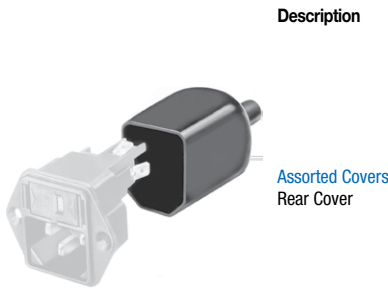
The listed variants should be available from stock. Other versions on request www.schurter.com/contact

Most Popular.

Availability for all products can be searched real-time: <http://www.schurter.com/en/Stock-Check/Stock-Check-SCHURTER>

Packaging unit 50 Pcs

Accessories



Description

Assorted Covers
Rear Cover

Mating Outlets/Connectors

Category / Description

[Connector Overview complete](#)



IEC Connector C13, Rewireable, Straight	4782
IEC Connector C13, Rewireable, Straight	4022
IEC Connector C13, Rewireable, Angled	4785
IEC Connector C13, Rewireable, Angled	4300-06
IEC Connector C13, Rewireable, Angled	4012
Connector further types to 1074	...

[Interconnection Cord Overview complete](#)



Interconnection Cord C13, 10 A	6007.0212
Interconnection Cord C13, 10 A	6007.0214
Interconnection Cord further types to 1074	

[Power Cord Overview complete](#)



Power Supply Cord with IEC plug C14, stripped end	6007.0204
Power Cord further types to 1074	

Category / Description

[Power Supply Cord Overview complete](#)

EU Power Supply Cord with IEC Connector C13, straight	6004.0215
EU Power Supply Cord with IEC Connector C13, straight	6003.0215
Power Supply Cord with IEC Connector C13 angled, stripped end	6000.0224
Power Supply Cord with IEC Connector C13 straight, stripped end	6000.0214
UK Power Supply Cord with IEC Connector C13, straight	6044.0215
Power Supply Cord further types to 1074	...

[Power Supply or Interconnection Cord Overview complete](#)

UK Power Supply Cord with stripped ends	6044.0204
Diverse Power Supply and Interconnection Cords 10 A	6045.0114
Diverse Power Supply and Interconnection Cords 10 A	6003.0205
Diverse Power Supply and Interconnection Cords 10 A	6026.0205
Diverse Power Supply and Interconnection Cords 10 A	6049.0007
Power Supply or Interconnection Cord further types to 1074	