

CFP2

- Terminal Pins: Straight
- Actuator Color: Gray

Ultra-Miniature Pushbutton Switches

Washable

RoHS Compliant



■ Features

1. Ultra-miniature pushbutton switch for high density mounting.
2. Washable.
3. Terminal pin pitch: 2.54 mm.
4. Independent detent mechanism ensures light operational feel.
5. Clip contact mechanism for long-term contact reliability.
6. Gold-plated contacts.

■ Specifications

Rating	Max.	0.4VA (28VDC max.)
	Min.	1 μ A 20mVDC
Initial contact resistance	100m Ω max. (1.5mA 200 μ VAC)	
Dielectric strength	250VAC 1 minute	
Insulation resistance	500M Ω min. (250VDC)	
Electrical life	10,000 operations at max.rating, 30,000 operations at min.rating.	
Mechanical life	30,000 cycles	
Operating force	1.47 \pm 0.98N	
Operating temperature range	-40~+85°C	
Storage temperature range	-40~+85°C	

■ Part Numbering

CFP2 — **2** **R** **C4** — **A** **W**

Series Actuator

Number of poles

Switching function

Terminal style

Actuator shape

Packaging spec

Code	Type
P	Pushbutton

Fig.	Number of poles
1	1 pole
2	2 poles

1 pole	2 poles	Switching function
F	R	ON — (ON)

Fig.	Terminal style
C	P/C
C4	Right angle
C6	Vertical mounting

Code	Actuator shape
A	Standard

Code	Packaging spec
W	Tray

Terminal style of C (Style : PC Terminal)	Terminal style of C4 (Style : R/A Terminal)	Terminal style of C6 (Style : V/M Terminal)

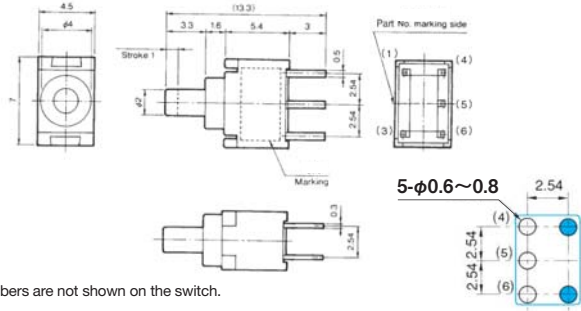
CFP2

SPDT

PC



Terminal numbers are not shown on the switch.



Switching function		
Part No.	CFP2-1FC-AW	(ON)
Connecting terminals	5-6	5-4

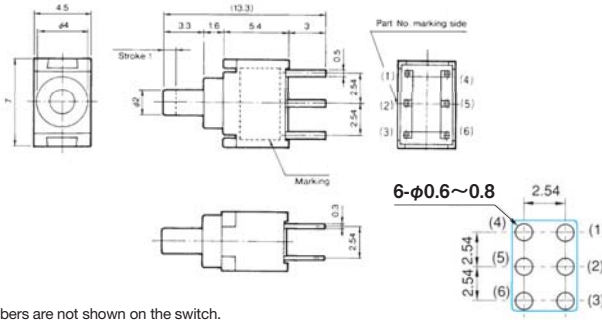
PC Hole Layouts (Top view)

DPDT

PC



Terminal numbers are not shown on the switch.



Switching function		
Part No.	☆ CFP2-2RC-AW	(ON)
Connecting terminals	2-3 5-6	2-1 5-4

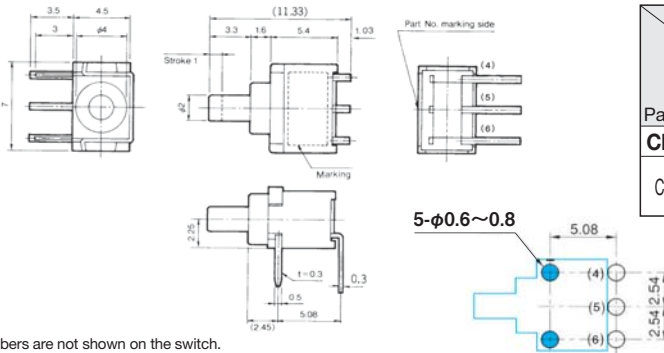
PC Hole Layouts (Top view)

SPDT

R/A



Terminal numbers are not shown on the switch.



Switching function		
Part No.	CFP2-1FC4-AW	(ON)
Connecting terminals	5-6	5-4

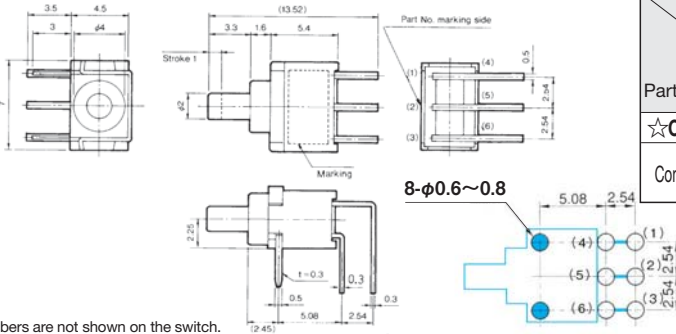
PC Hole Layouts (Top view)

DPDT

R/A



Terminal numbers are not shown on the switch.



Switching function		
Part No.	☆ CFP2-2RC4-AW	(ON)
Connecting terminals	2-3 5-6	2-1 5-4

PC Hole Layouts (Top view)

※ The above PC Hole Layouts are top view drawings.

Optional Accessories

《Sold separately》

Part Name	Dimension	Color	Part Number
Color Cap		White	140000481453
		Red	140000481452
		Black	140000481451
		Gray	140000481450

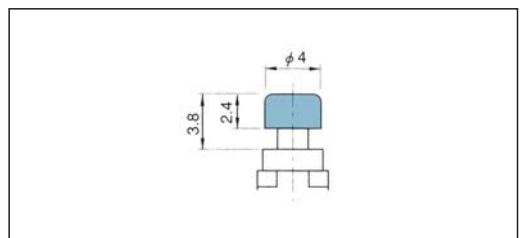
:Optional Accessories.

The blue line shows the outline of the switch.

(ON) : Momentary.

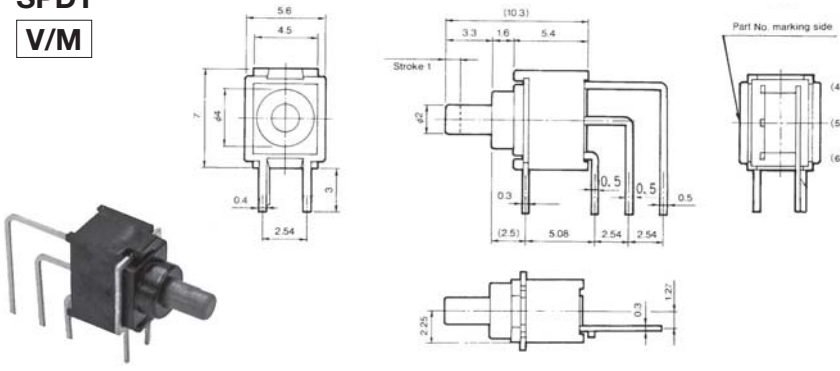
☆ : Semi-standard products.

Color Cap Mounting



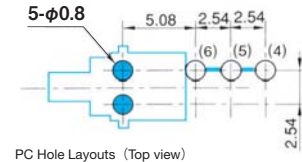
CFP2

SPDT V/M



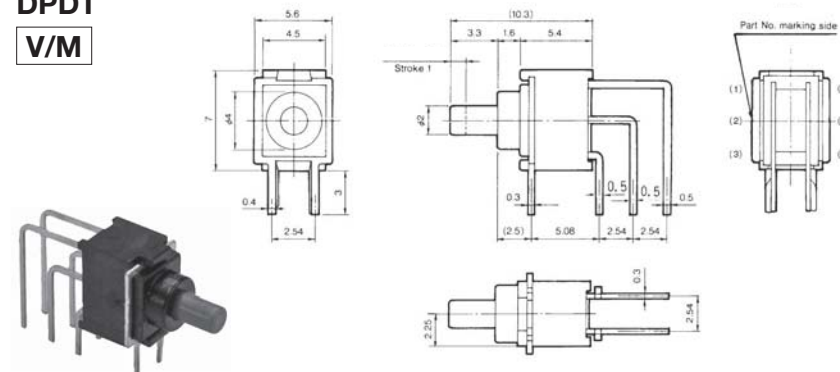
Terminal numbers are not shown on the switch.

Switching function		
Part No.	ON	(ON)
CFP2-1FC6-AW		
Connecting terminals	5-6	5-4



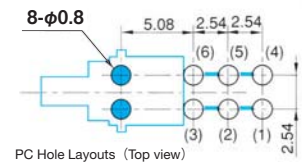
PC Hole Layouts (Top view)

DPDT V/M



Terminal numbers are not shown on the switch.

Switching function		
Part No.	ON	(ON)
☆CFP2-2RC6-AW		
Connecting terminals	2-3 5-6	2-1 5-4



PC Hole Layouts (Top view)

※ The above pcb hole dimension, it is a top view drawing when we fix the switch.

■ Handling Specifications (CFP2)

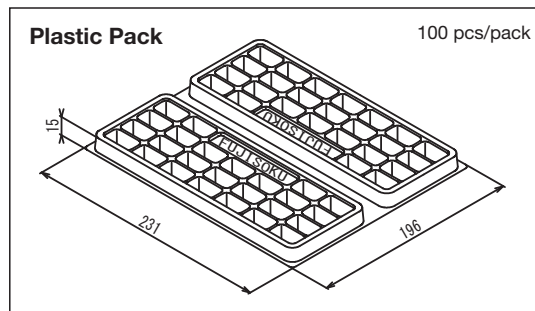
1. Soldering Specifications

- (1) Manual Soldering
 - Device : Soldering iron
 - 350°C, Max.; 3 seconds, Max.
- (2) Auto Soldering
 - Device : Jet wave type or dip type
 - 260°C, Max.; 3-5 seconds, Max. (One time)
 - Total dip time: Within 10 seconds
 - Pre-heating should be done at temperatures from 80°C to 120°C and within 120 seconds
- (3) When soldering two or more terminals to a common land, use solder resist to separate them

2. Flux Cleaning

- (1) Solvents : Fluorine or Alcohol type
- (2) Cleaning after soldering should be done after the PC board is exposed to room temperature (30°C or below) for 1 to 2 hours.
- (3) Do not use ultrasonic cleaning.

■ Packaging Specifications



The blue line shows the outline of the switch.

(ON) : Momentary.

☆ : Semi-standard products.