

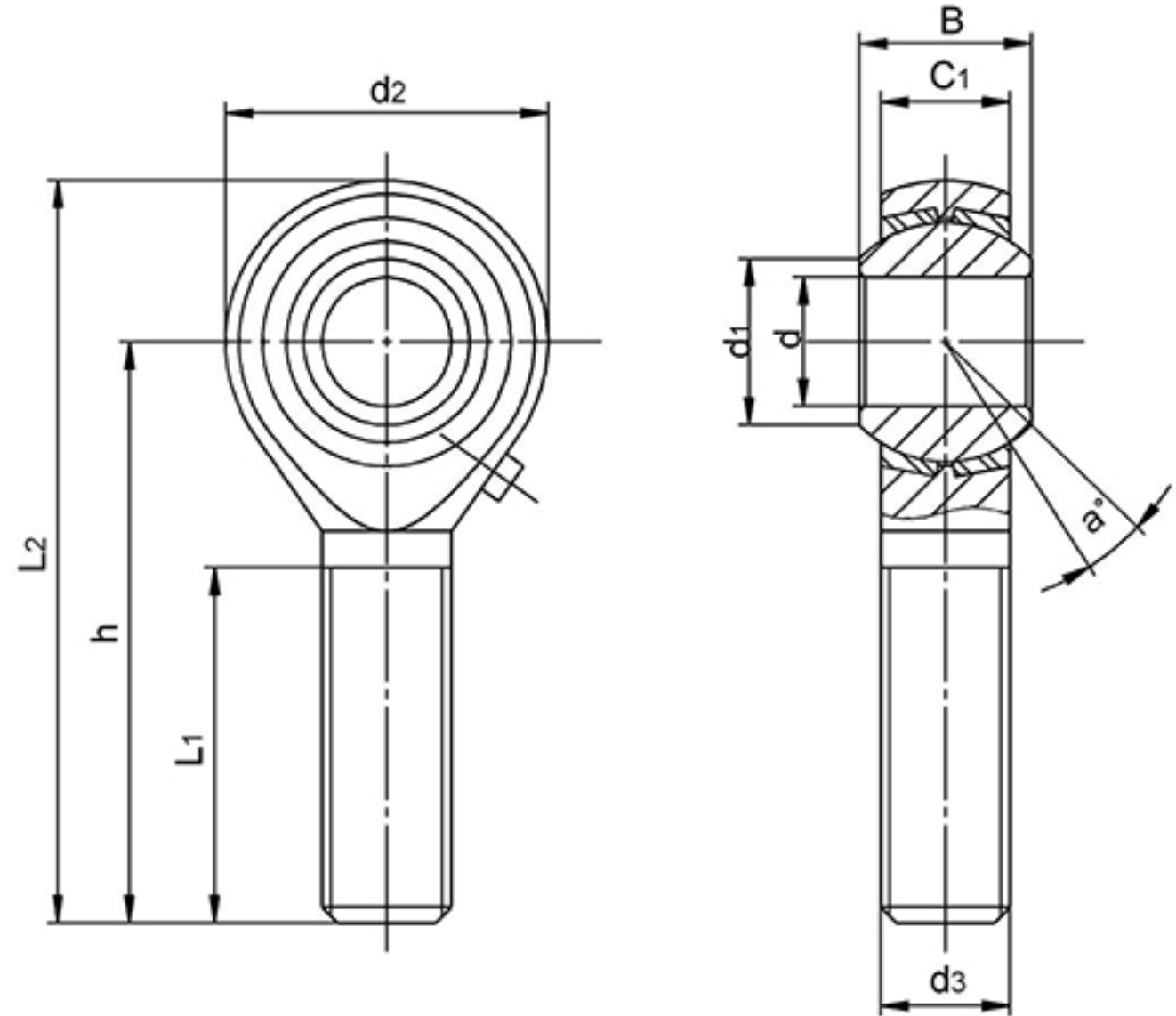
**POSB..**

Ball: Gcr15 Steel, heat treated,HRC56min;  
 precision ground, polished, hard  
 chromium plated

Body: Carbon steel, zinc plated,chromate treated

Race: Brass

Sliding contact surfaces: Steel/Brass



Bearing No.	Dimensions(mm)									Ball dia	a° mis. angle	Load ratings (KN)		weight ≈ kg
	$d^{+0.038/-0.012}$	B	C <sub>1</sub>	d <sub>1</sub>	d <sub>2</sub>	$d_3$ UNF-2A	h	L <sub>1</sub>	L <sub>2</sub>			Dynamic	Static	
POSB3	4.826	7.92	6.35	7.77	15.88	10-32	31.75	19.05	39.69	11.11	10	2.8	3.8	0.013
POSB4	6.35	9.53	7.14	9.02	19.05	1/4-28	39.67	25.4	49.2	12.7	13	4.8	6.4	0.022
POSB5	7.938	11.10	8.74	11.35	22.23	5/16-24	47.63	31.75	58.75	15.87	10	5.9	8.7	0.037
POSB6	9.525	12.7	10.31	13.13	25.4	3/8-24	49.22	31.75	61.92	18.26	9	8.2	12.4	0.055
POSB7	11.11	14.27	11.1	14.88	28.58	7/16-20	53.98	34.93	68.27	20.62	11	10	17	0.078
POSB8	12.7	15.88	12.7	17.73	33.32	1/2-20	61.92	38.1	78.58	23.8	9	15	23.4	0.120
POSB10	15.88	19.05	14.27	21.31	38.1	5/8-18	66.68	41.28	85.73	28.57	11	18	26.7	0.180
POSB12	19.05	22.23	17.45	24.84	44.45	3/4-16	73.02	44.45	95.25	33.33	10	27	36.6	0.290
POSB16	25.4	34.93	25.4	32.23	69.85	5/4-12	104.78	53.98	139.7	47.62	14	60	101	1.100

Can supply rod ends with different pitch or accuracy of thread.  
 For left-hand thread, suffix"L" is added to bearing numbers. eg.: POSB12L 3/4-16L