

**PLEASE CHECK WWW.MOLEX.COM FOR LATEST PART INFORMATION**

**Part Number:** **5050040810**  
**Status:** **Active**  
**Overview:** SlimStack™ 0.40mm Pitch Board-to-Board Connectors  
**Description:** SlimStack™ Hybrid Power SMT Board-to-Board Receptacle, 0.40mm Pitch, 0.75mm Height, 4 Power, 4 Signal Contacts

**Documents:**

<a href="#">3D Model</a>	<a href="#">Application Specification AS-505004-001 (PDF)</a>
<a href="#">Drawing (PDF)</a>	<a href="#">Packaging Specification SPK-505004-001 (PDF)</a>
<a href="#">Product Specification PS-505004-001 (PDF)</a>	<a href="#">RoHS Certificate of Compliance (PDF)</a>

**General**

Product Family	PCB Receptacles
Series	505004
Application	Board-to-Board
Overview	SlimStack™ 0.40mm Pitch Board-to-Board Connectors
Product Name	SlimStack™
UPC	887191595078

**Physical**

(p)ower-(s)ignal Configuration	4p - 4s
Circuits (Loaded)	8
Circuits (maximum)	8
Color - Resin	Black
Durability (mating cycles max)	10
Glow-Wire Compliant	No
Lock to Mating Part	Yes
Mated Height	0.75mm
Material - Metal	Copper Alloy
Material - Plating Mating	Gold
Material - Plating Termination	Gold
Material - Resin	Liquid Crystal Polymer
Net Weight	17.405/mg
Number of Rows	2
Orientation	Vertical
PCB Locator	No
PCB Retention	Yes
Packaging Type	Embossed Tape on Reel
Pitch - Mating Interface	0.40mm
Polarized to Mating Part	No
Polarized to PCB	No
Stackable	No
Temperature Range - Operating	-40°C to +85°C
Termination Interface: Style	Surface Mount

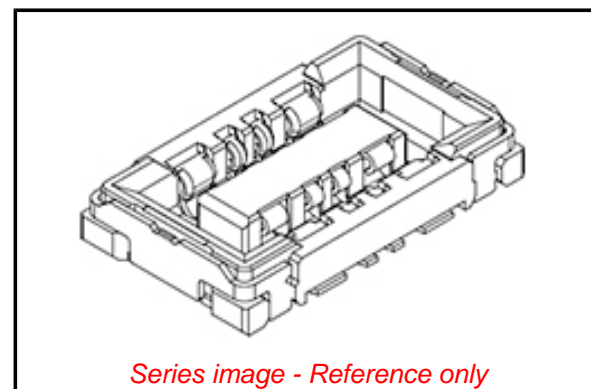
**Electrical**

Current - Maximum per Contact	0.3A, 3.0A
Voltage - Maximum	50V AC/DC

**Material Info**

**Reference - Drawing Numbers**

Application Specification	AS-505004-001
Packaging Specification	SPK-505004-001
Product Specification	PS-505004-001, RPS-505004-001, RPS-505004-003, RPS-505004-004
Sales Drawing	SD-505004-001, SD-505004-002



**EU ELV**

**Not Relevant**

**EU RoHS**

**Compliant**

**China RoHS**

**REACH SVHC**

Contains SVHC(2014 December 17): No

**Halogen-Free**

**Status**

**Low-Halogen**

**Need more information on product environmental compliance?**

Email [productcompliance@molex.com](mailto:productcompliance@molex.com)  
Please visit the [Contact Us](#) section for any non-product compliance questions.

China ROHS

ELV

Green Image

Not Relevant

**Search Parts in this Series**

505004 Series

**Mates With**

505006 SlimStack™ 0.40mm Pitch Board-to-Board Battery Header

This document was generated on 06/22/2015

**PLEASE CHECK [WWW.MOLEX.COM](http://WWW.MOLEX.COM) FOR LATEST PART INFORMATION**