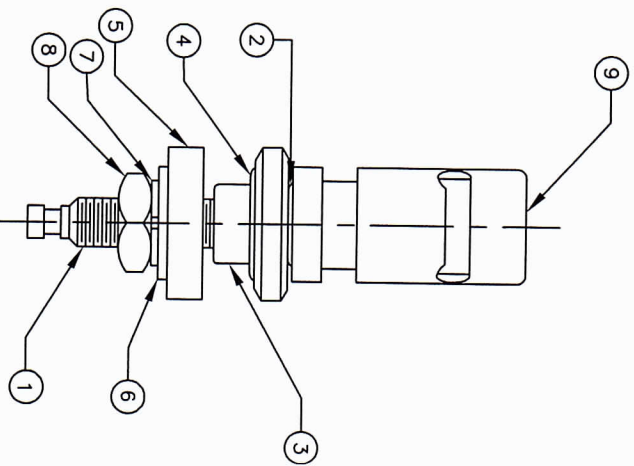
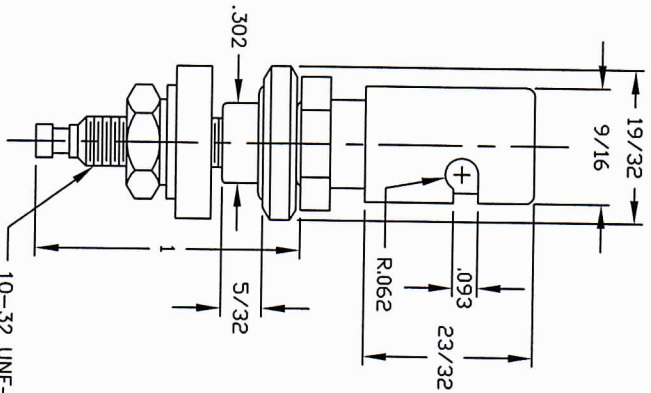
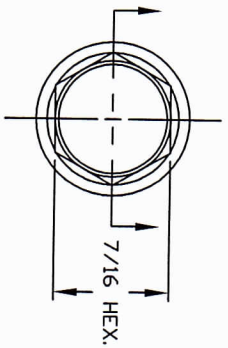


BILL OF MATERIALS				
DET.	QTY.	DESCRIPTION	MATERIAL	PLATING
1	1	BDG POST S/A	SEE DWG.	NICKEL
2	1	O-RING	LCP-45	---
3	1	INSULATOR	NYLON	---
4	1	O-RING	LCP-45	---
5	1	WASHER	NYLON	---
6	1	#10 FLAT WSHR	BRASS	NICKEL
7	1	#10 LOCK WSHR	STEEL	ZINC
8	1	#10-32 HEX NUT	STEEL	ZINC
9	1	CAP-INSUL	RUBBER	---



BINDING POST ASSEMBLY PER MIL-P-55149/8			
PART NO.	COLOR	TYPE DESIGNATION	
1837-102	RED	PB08NA02	
1837-103	BLACK	PB08NA01	

DRAWN PER PRINT #SC-C-16495(U.S.ARMY)

MATERIAL		FINISH	
"SEE B.O.M."		"SEE B.O.M."	
DIMENSIONAL TOLERANCES			
UNLESS OTHERWISE SPECIFIED			
.XX	.XXX	.XXX	.XXX
FRACTIONS	ANGLES	SCALE	
---	---	2:1	
HEAT TREAT	---		
PLT SCALE:	1=1		
TITLE		FINISH	
1837 SERIES		"SEE B.O.M."	
BINDING POST ASSEMBLY			
DRAWN:	T. LORD	DATE:	10/13/03
CHECKED:	T. LORD	DATE:	10/13/03
APPROVED:	T. LORD	DATE:	10/13/03
Electronic Connectors and Hardware		SIZE	DRAWING NUMBER
13680 S. MOSIERTOWN RD		B	SD-1837
MEADVILLE, PA 16335			ISSUE
			---

REVISIONS			
SYM	DESCRIPTION	REVISED BY	DATE

**ABBATRON**