



HRC fuse base plastic Sz. 1 3-pole 250A 690V flat terminal

Model		
product brand name	SETRON	
product designation	LV HRC fuse base	
design of the thread of the nut	M10	
design of the thread of the connection screw	M10	
General technical data		
number of poles	3	
size of fuse system according to EN 60269-1	NH1	
utilization category	Without	
Supply voltage		
supply voltage		
• at AC	690 V	
• at DC	690 V	
Product details		
product component swivel-in mechanism	No	
maximum short-circuit current breaking capacity (I _{cu})		
• at AC rated value	120 kA	
• at DC rated value	120 kA	
Connections		
connectable conductor cross-section on terminal strip		
• minimum	25 mm ²	
• maximum	150 mm ²	
tightening torque of the screw for securing the equipment maximum	6 N·m	
tightening torque with screw-type terminals maximum	32 N·m	
type of electrical connection	With flat-type terminal	
• for main current circuit	with flat-type terminal	
Mechanical Design		
height	241 mm	
width	192 mm	
depth	103 mm	
fastening method	fixed mounting	
fastening method bus-mounting	No	
Net Weight	1.29 kg	
Approvals Certificates		
Environment	General Product Approval	Maritime application



Environmental Con-
firmations



Confirmation



other

[Confirmation](#)



Further information

Information on the packaging

<https://support.industry.siemens.com/cs/ww/en/view/109813875>

Information for data generation and storage

<https://support.industry.siemens.com/cs/ww/en/view/109995012>

Information- and Downloadcenter (Catalogs, Brochures,...)

<https://www.siemens.com/lowvoltage/catalogs>

Industry Mall (Online ordering system)

<https://mall.industry.siemens.com/mall/en/en/Catalog/product?mlfb=3NH2230>

Service&Support (Manuals, Certificates, Characteristics, FAQs,...)

<https://support.industry.siemens.com/cs/ww/en/ps/3NH2230>

Image database (product images, 2D dimension drawings, 3D models, device circuit diagrams, ...)

https://www.automation.siemens.com/bilddb/cax_en.aspx?mlfb=3NH2230

CAX-Online-Generator

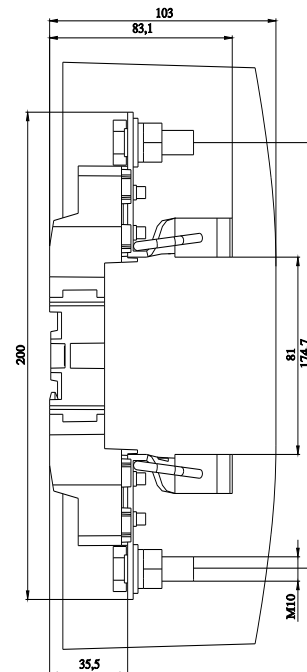
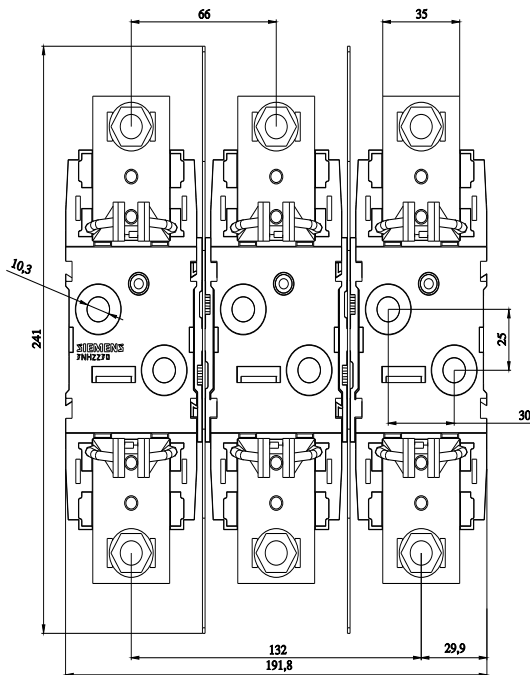
<https://www.siemens.com/cax>

Tender specifications

<https://www.siemens.com/specifications>

Characteristic curves

https://curves.simaris.siemens.com/curves/<mmp_prod_noCOMP='HAUPT'></mmp_prod_no>



last modified:

8/8/2025 