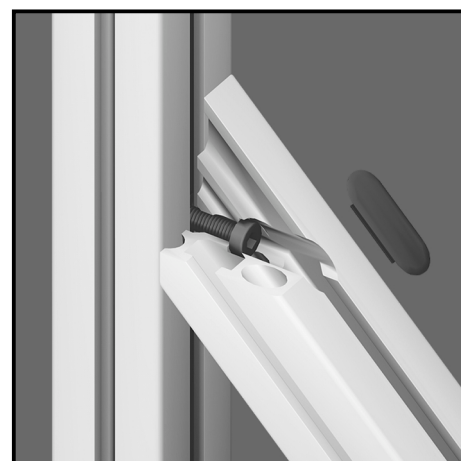
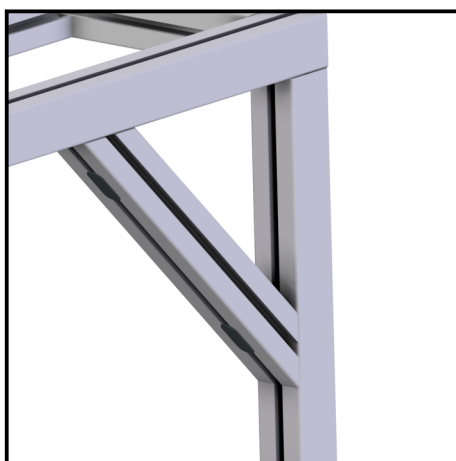
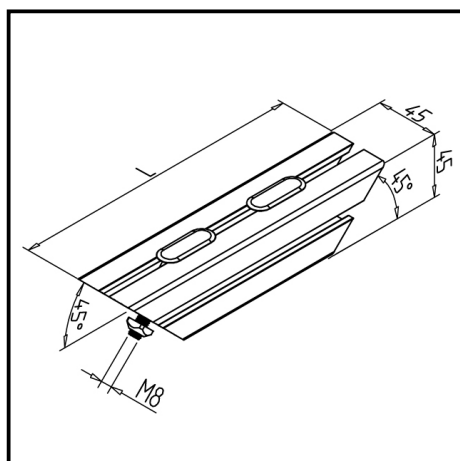


STRENGTHENING ELEMENT 45 WITH, WITHOUT COVER CAP GL = 360 MM POSITION-FIXING

Article Nr. 21.1761/7

See the product on the website →



TECHN. DATA / ITEMS SUPPLIED

- Aluminium, anodized E6/EV1
- Length (l) : 360 mm
- Profile 45 x 45, ready for use
- Both ends cut at 45° with counter-bores for fastening kit
- With fastening material steel, zinc plated
- **Other lengths and designs under part no. [21.1761/5](#) on request**
- Weight = 0.870 kg/piece

APPLICATIONS

- Reinforcement of profiled superstructures according to the principle of truss construction

ASSEMBLY

- Screw on the profile groove of the frame construction with supplied hardware