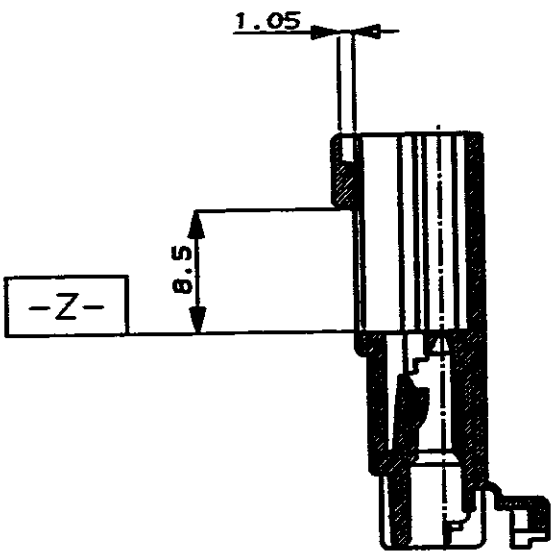
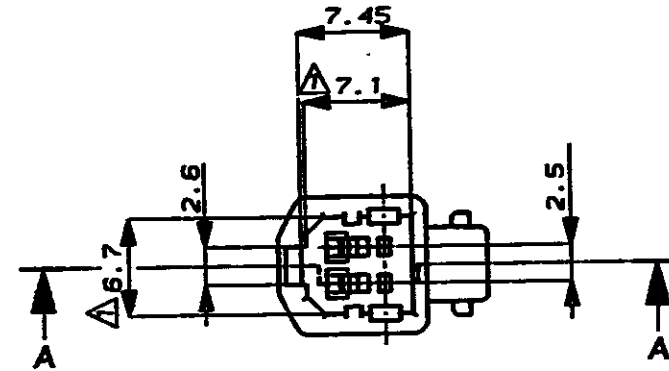
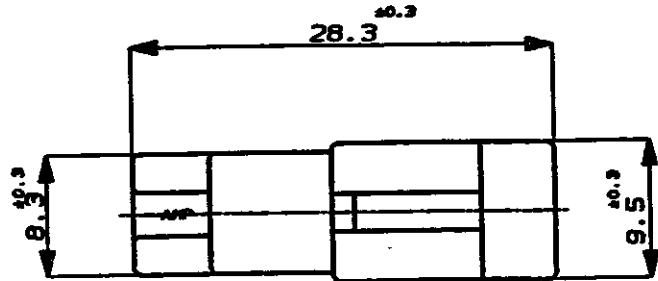
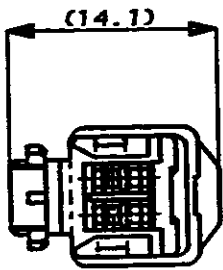


PRINTED DIMENSIONS IN MILLIMETERS. DO NOT SCALE PRINT

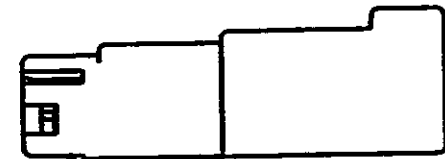
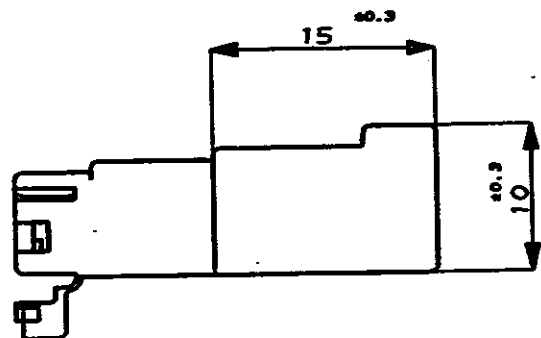
(NUMBER)
C-174057

3° ANGLE PROJECTION

METRIC



断面 A-A
SECT.



二重ロック時
DOUBLE LOCKED

注:

- △ -Z- 面から 2mmの範囲で測定。
- 2 適用端子型番: 173682

NOTE:

- △ TO BE MEASURED WITHIN 2mm FROM -Z-
- 2 APPLICABLE CONTACT PART NUMBER: 173682

青 (BLUE)	174057-5
緑 (GREEN)	174057-4
黒 (BLACK)	174057-2
色 (COLOR)	製品型番 (PART NO.)

Copyright ©1986 AMP (Japan), LTD. ALL RIGHTS RESERVED.		Copyright ©1986 AMP (Japan), LTD. ALL RIGHTS RESERVED.		AMP AMP (JAPAN), LTD. Tokyo, Japan	
適用電線 (WIRE RANGE)	絶縁径 (INSULATION DIA.)	品名 (NAME) 2 POS. CAP HOUSING...040 SERIES MULTI-LOCK CONNECTOR 2極キャップハウジング...040シリーズマルチロックコネクタ			
材料 (MATERIAL)	色 (COLOR)	一般公差 (GENERAL TOLERANCES)			
PBT	表参照 SEE TABLE	0-100	±0.2	10-30	±0.25
		30-100	±0.3	角度 (ANGLES): ±3°	
LTR	REVISION RECORD	DR	CHK	DATE	SHEET
B	再作成 REDRAWN J-12509	DR	CHK	5/28/90	1 OF 1

CUSTOMER DRAWING 参考図面