

IEC Appliance Inlet with protection degree IP67 / IP69K, Screw-on Mounting front side, Solder or Quick-connect Terminal

new



with Cover (separate accessories)



Set consisting of appliance inlet and connector

S16



120° C



**Description**

- Panel Mount :  
Screw-on mounting from front side
- Appliance Inlet , Pin temperature 120 °C , Protection class I
- Solder terminals or quick connect terminals
- Complete set consisting of appliance inlet and outlet
- Mating connector type: 4762

**Unique Selling Proposition**

- Waterproofed Appliance Inlet IP 67 / IP 69K
- Suitable for equipments in harsh environment
- Specific shape to ensure IP protection
- Version in Black and White

**Approvals**

- ENEC File Number: 40044311
- UL File Number: E96454

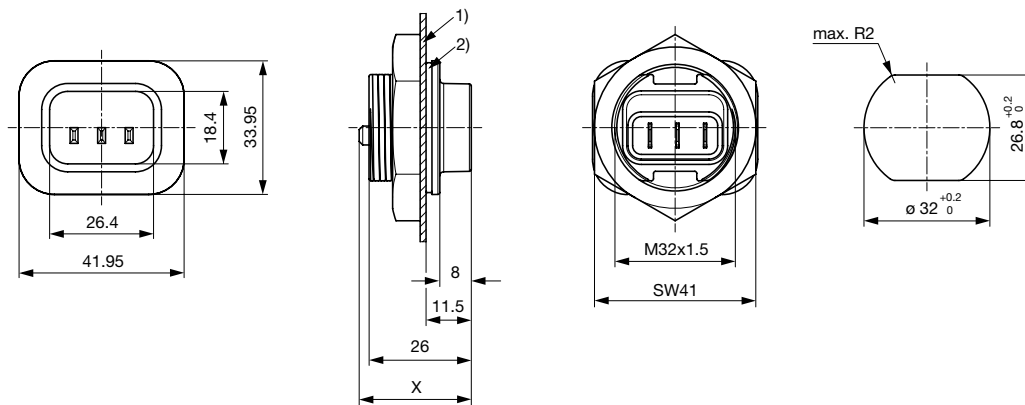
**Weblinks**

[pdf-datasheet](#), [html-datasheet](#), [General Product Information](#), [RoHS](#), [CHINA-RoHS](#), [REACH](#), [Distributor-Stock-Check](#), [Accessories](#), [Detailed request for product](#)

**Technical Data**

Ratings IEC	10 A / 250VAC; 50Hz	appliance inlet/-outlet	S16 acc. to IEC 60320-1,
Ratings UL/CSA	15 A / 250VAC; 60Hz		UL 60320-1, CSA C22.2 no. 60320-1
Dielectric Strength	> 1.5kVAC between L-N > 1.5kVAC between L/N-PE (1 min/50Hz)		(For hot conditions) pin-temperature 120 °C, 10A, Protection Class I
Allowable Operation Temp.	-25 °C to 120 °C		
IP-Protection	from front side IP67, IP69K acc. to IEC 60529		
Insulation cover	Suitable for appliances with protection class I acc. to IEC 61140		
Terminal	Solder terminals or quick connect terminals		
Panel Thickness s	Screw: max 6 mm Mounting screw torque max 3Nm		
Material: Housing	Thermoplastic, black / white, UL 94V-0		

**Dimensions**



X: Quick-connect terminals 4.8x0.8 mm: 28.5 mm  
 X: Quick-connect terminals 6.3x0.8 mm: 31.0 mm  
 X: Solder terminals: 25.5 mm

1) Panel  
 2) Gasket or protection cover

**Accessories**



Protection cover for IP67 for 4761 unplugged  
 Protection cover black: 0098.0105  
 Protection cover white: 0098.0107

**All Variants**

Appliance Inlet	Connector	Set	Color	Terminals Inlet	Order Number
●		-	black	Quick connect terminals 4.8 x 0.8 mm	4312.0000
●		-	black	Quick connect terminals 6.3 x 0.8 mm	4312.0001
●		-	black	Solder terminals	4312.0002
●	●	1)	black	Quick connect terminals 4.8 x 0.8 mm	4312.0004
●	●	1)	black	Quick connect terminals 6.3 x 0.8 mm	4312.0005
●	●	1)	black	Solder terminals	4312.0006
●		-	white	Quick connect terminals 4.8 x 0.8 mm	4312.0007
●		-	white	Quick connect terminals 6.3 x 0.8 mm	4312.0008
●		-	white	Solder terminals	4312.0009
●	●	1)	white	Quick connect terminals 4.8 x 0.8 mm	4312.0011
●	●	1)	white	Quick connect terminals 6.3 x 0.8 mm	4312.0012
●	●	1)	white	Solder terminals	4312.0013

1) complete set consisting of appliance inlet and outlet

Most Popular.

Availability for all products can be searched real-time: <http://www.schurter.com/Stock-Check/Stock-Check-SCHURTER>

---

**Packaging unit**      10 Pcs

---

**Mating Outlets/Connectors shuttered**

Category / Description



Connector Overview complete

IEC Connector protection degree IP67 / IP69K, Rewireable, Straight

4762

Connector further types to 4761

---