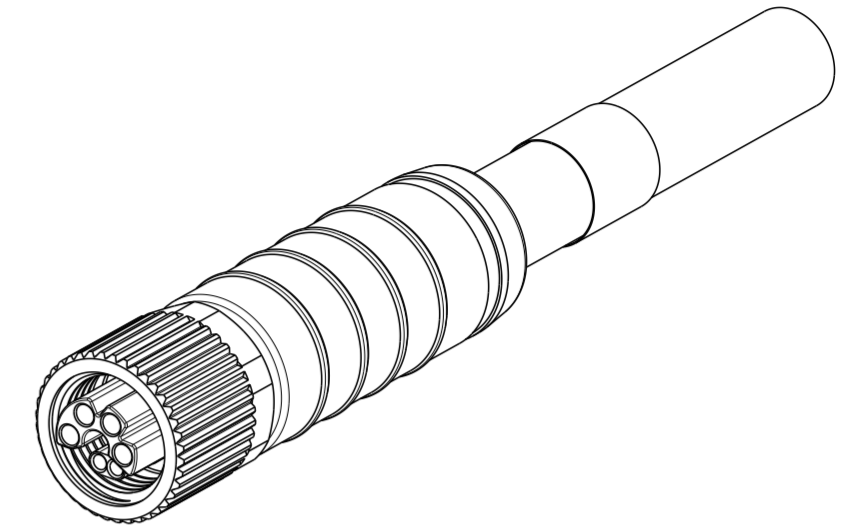
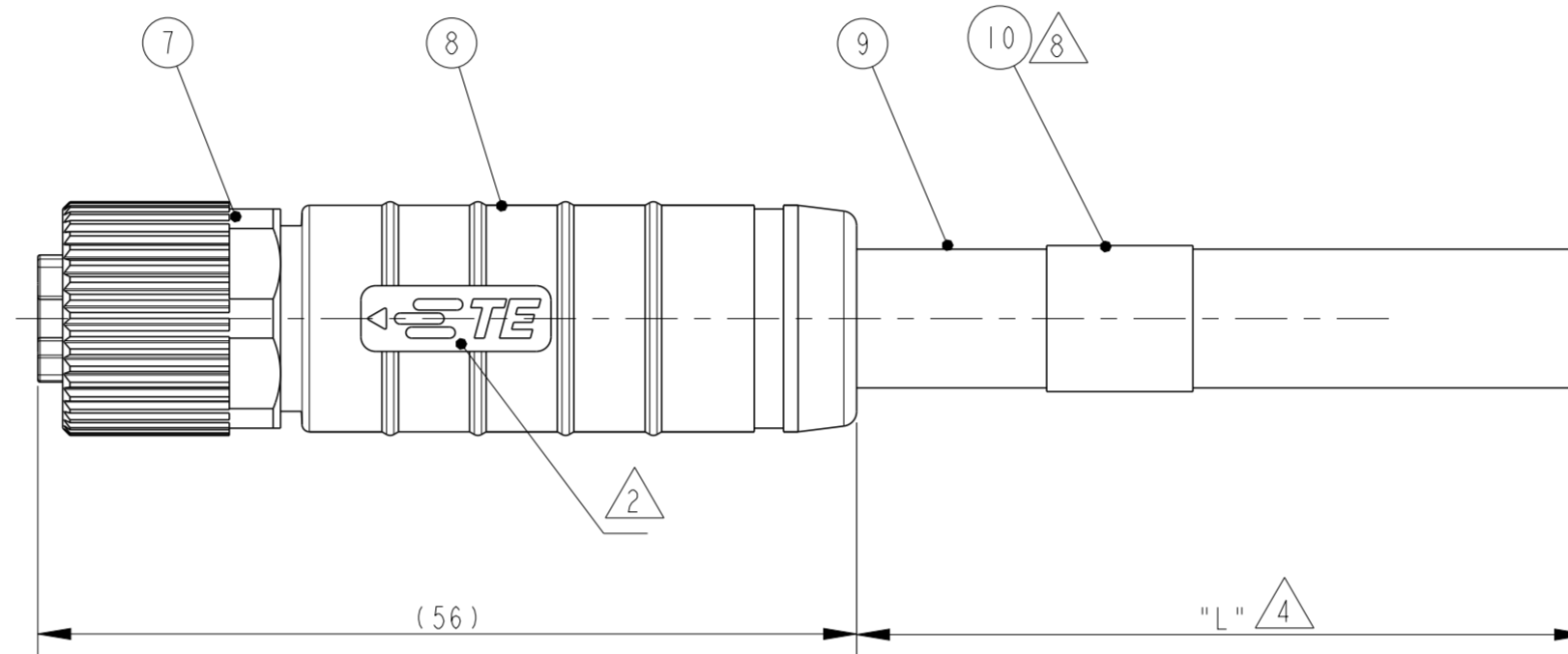
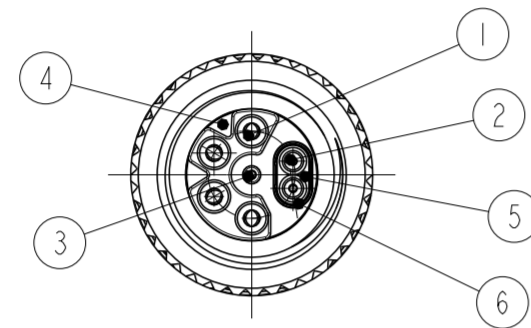


ITEM NO.	DESCRIPTION	MATERIAL	REMARKS
1	SPE M12 FEMALE PIN, DIA 1	COPPER ALLOY	GOLD PLATED
2	SPE M12 FEMALE PIN, DIA 0.5	COPPER ALLOY	GOLD PLATED
3	SPE M12 CENTER MALE PIN, DIA 0.5mm	COPPER ALLOY	GOLD PLATED
4	SPE M12 TYPE II FEMALE HOUSING	PA	BLACK
5	SPE M12 FEMALE DATA INSERT	PA	BLACK
6	SPE M12 FEMALE DATA SHIELDING	BRONZE	NICKEL PLATED
7	M12 L CODE CORDSET FEMALE SCREW NUT	BRASS	NICKEL PLATED
8	SPE M12 OVERMOLDING	TPU	BLACK
9	SPE M12 HYBRID SHIELDED CABLE	PUR	BLACK
10	LABEL	-	-

REVISIONS				
P	LTR	DESCRIPTION	DATE	APVD
A		INITIAL RELEASE	16NOV2022	HH CW
B		ECR-25-262181	18NOV2025	HH CW

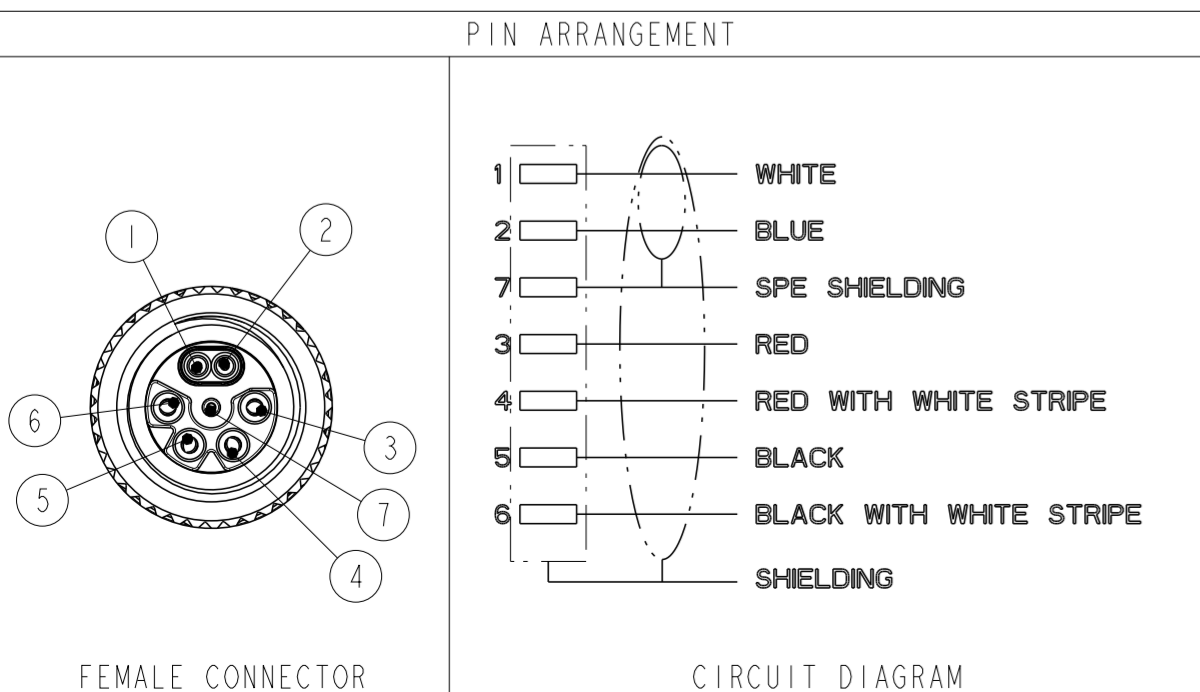


SCALE 3:2

TABLE I	
TECHNICAL DATA	2423447-X
RATED VOLTAGE	≤63VDC/50VAC
RATED CURRENT	8A(POWER CONTACT) 1A(SIGNAL CONTACT)
OVERVOLTAGE CATEGORY	III
MATERIAL GROUP	I
DEGREE OF PROTECTION	IP67
TEMPERATURE RATING	-40°C TO +85°C

0m to 1m: ±0.05m
 1m to 3m: ±0.1m
 >3m : ±1.5%

- 1. TECHNICAL DATA: SEE TABLE I
- 2. TE LOGO AREA.
- 3. RECOMMENDED TORQUE: 0.6Nm
- 4. REFER TABLE FOR LENGTH "L".
- 5. 100% OPEN AND SHORT CIRCUIT TEST
- 6. CABLE ASSEMBLY TO BE PACKED IN POLYBAGS
- 7. PRODUCT COMPLIES WITH IEC 63171-7
- 8. LABEL CONTAINS PN AND DATE CODE
- 9. UL FLAG LABEL CONTAINS UL MARK AND WARNING INFORMATION
- 10. RoHS AND REACH COMPLAINT PRODUCT



HYBRID POWER AND SPE DATA CABLE WIRE: 26AWG(1 TWISTED PAIR)+ 16AWG(4 CONDUCTOR POWER) OD: APPROX. 9.5mm	15M	BLACK	PUR	SPE M12 HYBRID TYPE II CABLE ASSEMBLY, SINGLE END, FEMALE, SHIELDED	SPE-M12-FS-7CON-PUR-**SH	7	2423447-9
	10M						2423447-8
	7M						2423447-7
	5M						2423447-6
	3M						2423447-5
	2M						2423447-4
	1.5M						2423447-3
	1M						2423447-2
0.5M	2423447-1						
CABLE CHARACTERISTICS	LENGTH "L" 4	JACKET COLOR	JACKET MATERIAL	DESCRIPTION	TYPE	POS.	PART NUMBER

THIS DRAWING IS A CONTROLLED DOCUMENT.

DWN	HE HART	20DEC2021
CHK	WANG CHRIS	20DEC2021
APVD	WANG CHRIS	20DEC2021
PRODUCT SPEC	108-94895	
APPLICATION SPEC	114-137144	
WEIGHT	-	
CUSTOMER DRAWING	SCALE 2:1	SHEET 1 OF 1

TE Connectivity

NAME: SPE M12 HYBRID TYPE II CABLE ASSEMBLY, SINGLE END, FEMALE, SHIELDED

SIZE: A2 CAGE CODE: 00779 DRAWING NO: C-2423447 RESTRICTED TO: B