



TE Internal #: 140712-2

Receptacle Terminal, 3.96 mm [.155 in] Pin Diameter, 18 – 14 AWG, .8 – 2 mm² Wire, 1624 – 4106 CMA, 17.5 mm [.689 in] Length, Open Barrel, Tin Plating

[View on TE.com >](#)

Terminals & Splices > Crimp Wire Pins, Tabs & Ferrules



Crimp Wire Terminal Type: **Receptacle Terminal**

Mating Pin Diameter: **3.96 mm [.155 in]**

Compatible Insulation Diameter Range: **3.3 – 4.5 mm, 4.5 mm [.13 – .177 in, .177 in]**

Wire Size: **.8 – 2 mm²**

Features

Product Type Features

| | |
|--|--------------------|
| Compatible With Discrete Wire Type | Stranded |
| Wire Insulation Support Retention Type | Insulation Support |

Configuration Features

| | |
|-----------------------------------|---------------|
| Compatible With Wire & Cable Type | Discrete Wire |
|-----------------------------------|---------------|

Contact Features

| | |
|---------------------------|---------------------|
| Crimp Wire Terminal Type | Receptacle Terminal |
| Mating Pin Diameter | 3.96 mm [.155 in] |
| Barrel Type | Open |
| Terminal Plating Material | Tin |
| Terminal Orientation | Straight |

Mechanical Attachment

| | |
|-------------------------|------|
| Wire Insulation Support | With |
|-------------------------|------|

Dimensions

| | |
|--------------------------------------|---|
| Compatible Insulation Diameter Range | 3.3 – 4.5 mm, 4.5 mm [.13 – .177 in][.177 in] |
| Wire Size | 1624 – 4106 CMA |



| | |
|-----------------------------|-----------------------------------|
| Barrel Inside Diameter | 2.03 mm, 3.59 mm [.08 in][.14 in] |
| Terminal Material Thickness | .45 mm [.018 in] |
| Overall Product Length | 17.5 mm [.689 in] |

Usage Conditions

| | |
|-------------------|-------------|
| Insulation Option | Uninsulated |
|-------------------|-------------|

Packaging Features

| | |
|--------------------|------|
| Packaging Quantity | 5000 |
| Packaging Method | Reel |

Product Compliance

[For compliance documentation, visit the product page on TE.com>](#)

| | |
|---|---|
| EU RoHS Directive 2011/65/EU | Compliant |
| EU ELV Directive 2000/53/EC | Compliant |
| China RoHS 2 Directive MIIT Order No 32, 2016 | 有害物质含量符合标准要求 No Restricted Substance(s) Above Threshold |
| EU REACH Regulation (EC) No. 1907/2006 | Current ECHA Candidate List: JUNE 2025 (250) Candidate List Declared Against: JUNE 2025 (250) Does not contain REACH SVHC |
| Halogen Content | Low Halogen - Br, Cl, F < 900 ppm per homogenous material. Also BFR/CFR/PVC Free |
| Solder Process Capability | Not applicable for solder process capability |

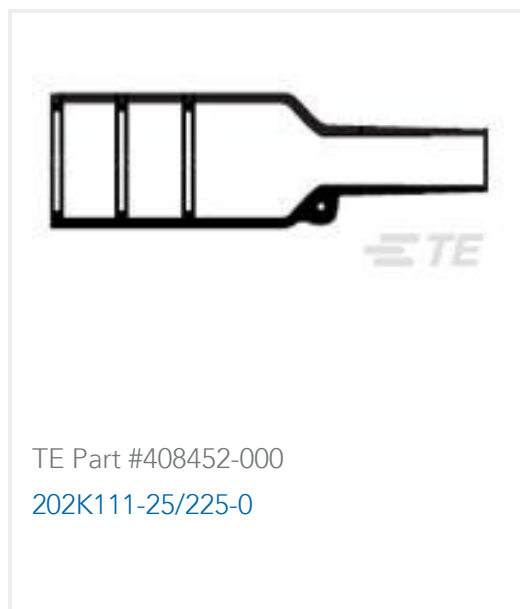
Product Compliance Disclaimer

This information is provided based on reasonable inquiry of our suppliers and represents our current actual knowledge based on the information they provided. This information is subject to change. The part numbers that TE has identified as EU RoHS compliant have a maximum concentration of 0.1% by weight in homogenous materials for lead, hexavalent chromium, mercury, PBB, PBDE, DBP, BBP, DEHP, DIBP, and 0.01% for cadmium, or qualify for an exemption to these limits as defined in the Annexes of Directive 2011/65/EU (RoHS2). Finished electrical and electronic equipment products will be CE marked as required by Directive 2011/65/EU. Components may not be CE marked. Additionally, the part numbers that TE has identified as EU ELV compliant have a maximum concentration of 0.1% by weight in homogenous materials for lead, hexavalent chromium, and mercury, and 0.01% for cadmium, or qualify for an exemption to these limits as defined in the Annexes of Directive 2000/53/EC (ELV). Regarding the REACH Regulation, the information TE provides on SVHC in articles for this part number is based on the latest European Chemicals Agency (ECHA) 'Guidance on requirements for substances in articles' posted at this URL: <https://echa.europa.eu/guidance-documents/guidance-on-reach>

Compatible Parts

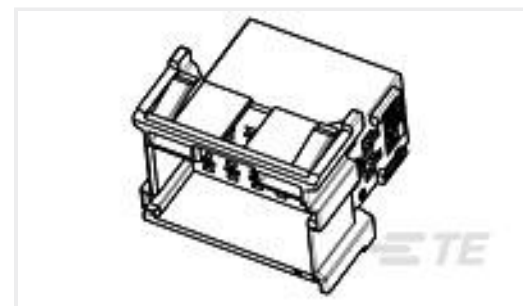


Customers Also Bought





TE Part #1-881545-1
AMP SHUNT ASS'Y



TE Part #1-967626-6
TAB HOUSING, 2,8MM 9POS.



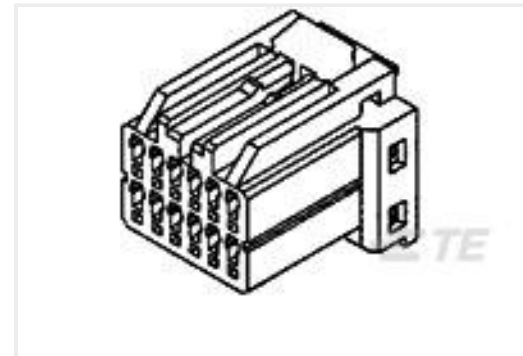
TE Part #1-1534126-1
AMP MCP 2.8 SOCKET HSG.,15POS.
ASSY



TE Part #5-1825136-5
A101TZQ04



TE Part #L9000276-01
SMA Plug 50 Ohm .062 PCB Edge
Mount



TE Part #175967-2
040 MLC II PLUG HSG ASSY 20P

Documents

Product Drawings

[PIN .155 DIA REC 18-14 AWG TPBR](#)

English

CAD Files

[3D PDF](#)

3D

Customer View Model

[ENG_CVM_CVM_140712-2_V.2d_dxf.zip](#)

English

Customer View Model

[ENG_CVM_CVM_140712-2_V.3d_igs.zip](#)

English

Customer View Model

[ENG_CVM_CVM_140712-2_V.3d_stp.zip](#)

English

By downloading the CAD file I accept and agree to the [Terms and Conditions](#) of use.