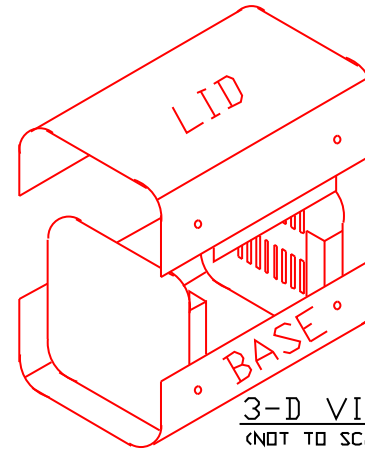
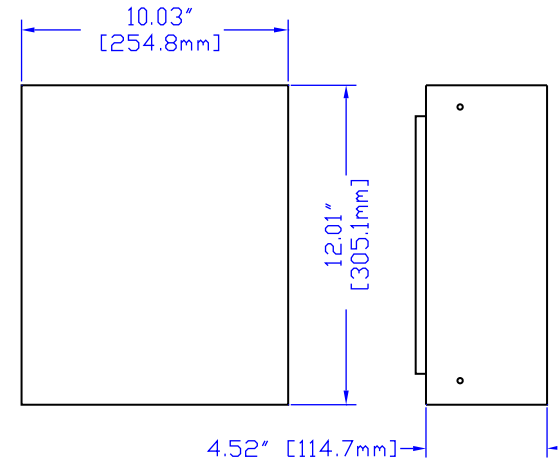
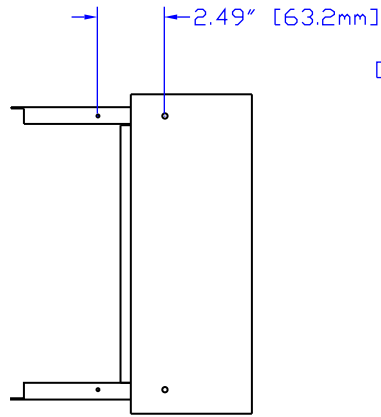
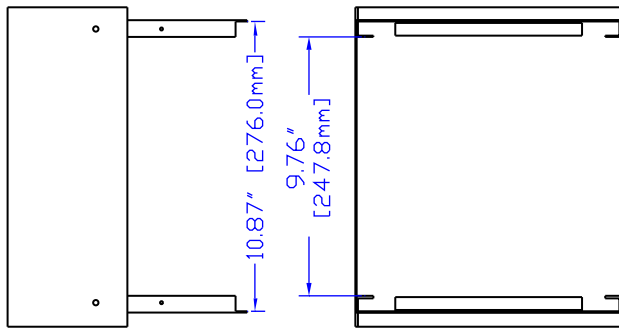
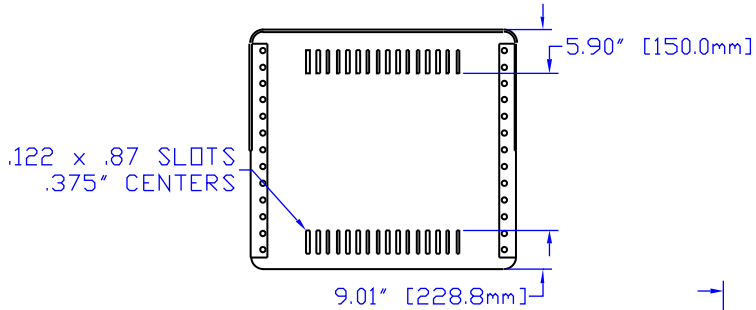


NOTES

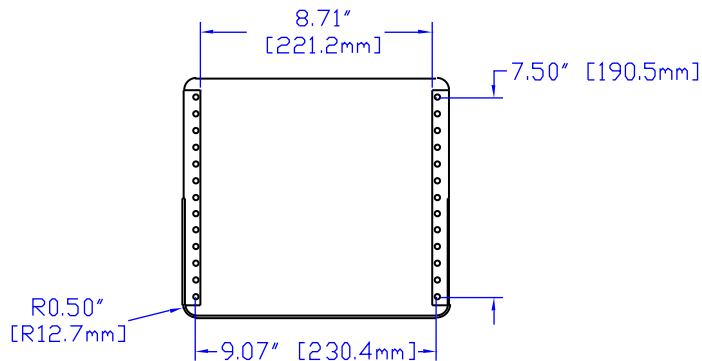
- MATERIAL - 20 GAUGE STEEL  
 - FOUR 6-32 NICKEL PLATED SCREWS  
 - 0.064" THICK ALUMINUM PANELS  
 - SELF ADHESIVE RUBBER FEET



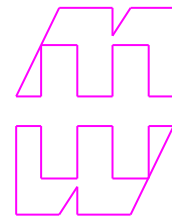
3-D VIEW  
 (NOT TO SCALE)



VIEW OF LID (OUTSIDE)



VIEW OF BASE (INSIDE)



HAMMOND MANUFACTURING

1401G-Instrument

CANADA - PH (519) 886 7170 - FAX (519) 886 8311  
 U.S.A. - PH (716) 631 5700 - FAX (716) 631 1156