

## FEATURES

- Fits a standard XLR cutout
- Can be mounted from front or back
- Low rear profile ensures space-saving
- Made for standard cable assemblies- no soldering or punch terminations required

## RS PRO Cat6 RJ45 Feedthrough Connector, 2 Port, FTP

RS Stock No.: 916-0259



RS Professionally Approved Products bring to you professional quality parts across all product categories. Our product range has been tested by engineers and provides a comparable quality to the leading brands without paying a premium price.

## Product Description

Brought to you by RS Pro, this RJ45 Feed Through connector allows you to connect RJ45 types through a sturdy panel mount connection that is designed to fit within a standard XLR format chassis. Suitable for wall plugs and rack mounting, this XLR Format RJ45 connector is a valuable tool in connecting custom configurations that use standard cabling, and is commonly used in digital recording studio and network racking. All models are highly reliable and excellent quality.

Stock No. [916-0243](#)  
 Stock No. [916-0255](#)  
 Stock No. [916-0259](#)  
 Stock No. [907-5665](#)  
 Stock No. [907-5668](#)  
 Stock No. [907-5652](#)  
 Stock No. [907-5656](#)  
 Stock No. [916-0252](#)

## General Specifications

<b>Type</b>	Feedthrough Connector
<b>Interface Type</b>	RJ45
<b>LAN Category</b>	Cat6
<b>Number of Ports</b>	2
<b>Shield Type</b>	FTP
<b>Colour</b>	Black
<b>Contact plating</b>	Gold over Nickel
<b>Housing Material</b>	ABS UL 94 V-0
<b>Contact Material</b>	Phosphor Bronze, 3-50 micro inches
<b>Application</b>	Servers, Professional stage lighting, Military applications

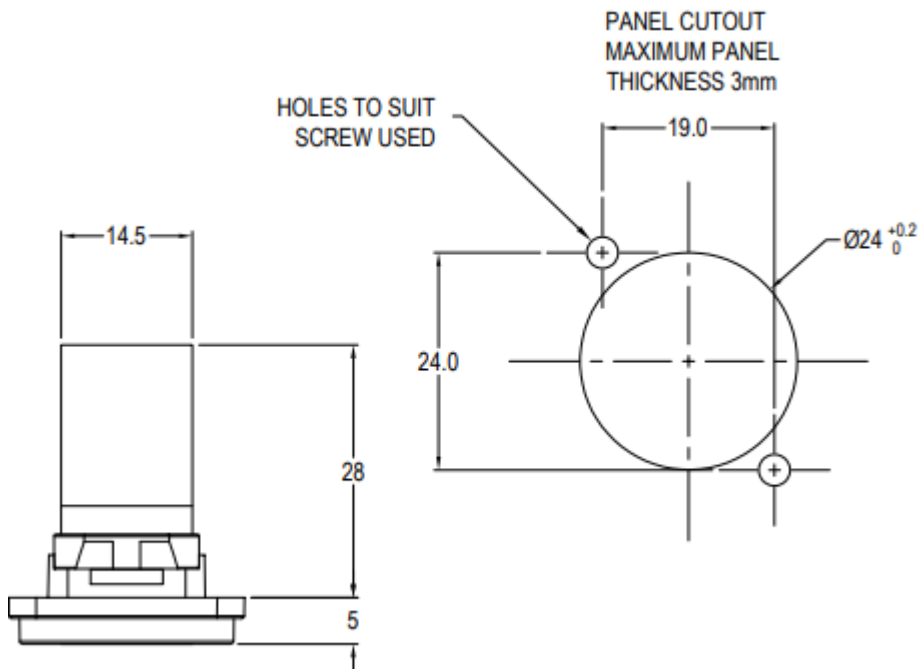
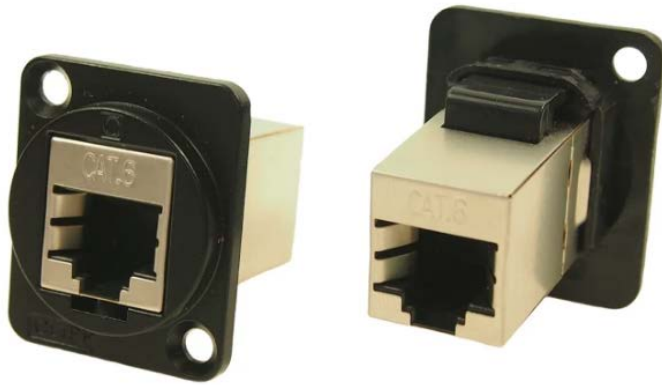
## Mechanical Specifications

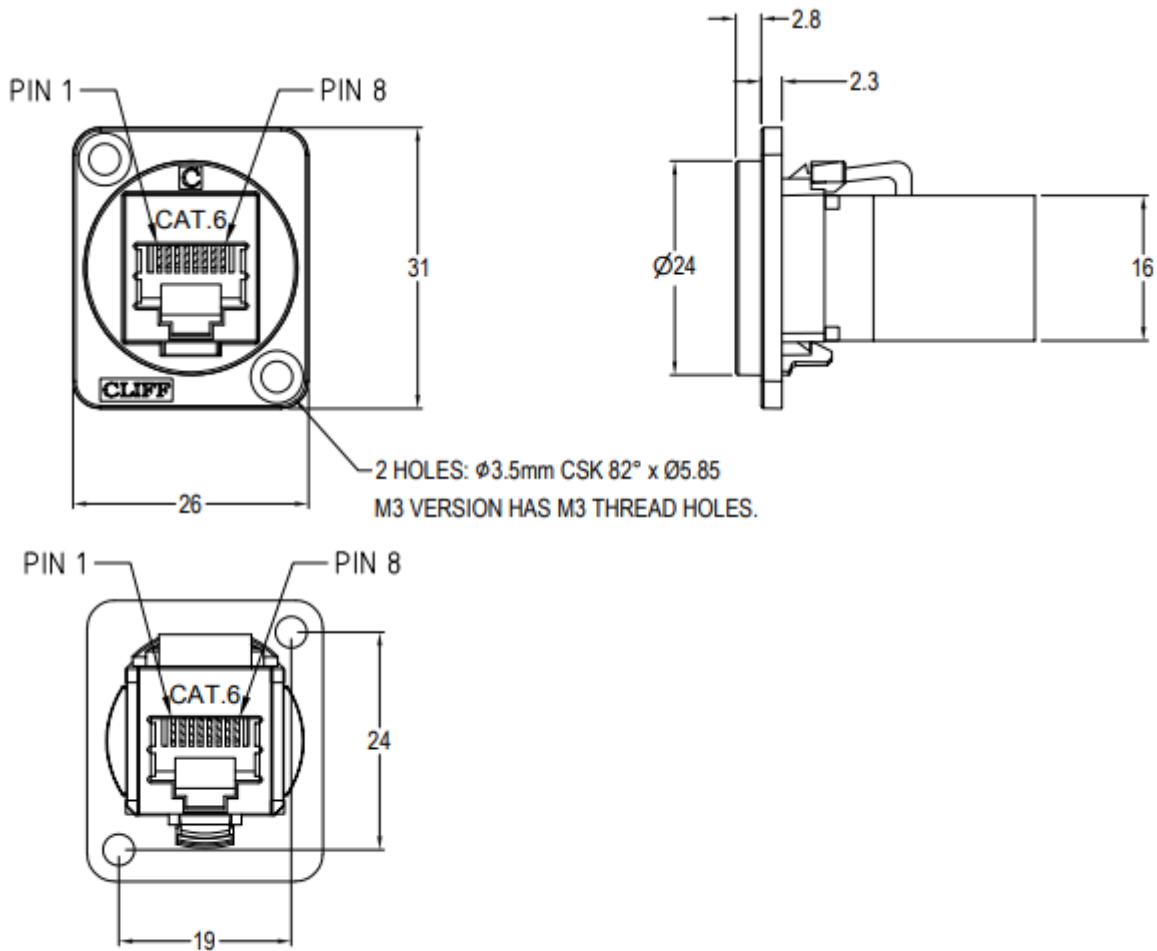
<b>Width</b>	26mm
--------------	------

## Approvals

### Compliance/Certifications

T568A & T568B, ISO/IEC 11801 and EN50173, N50173 , Meet ANSI/TIA/EIA 568B.2





	<p><b>Part No.</b> CP30205NMB <b>RS Stock No.</b> 916-0215</p>	<p><b>Description</b> USB 3.0 A to USB 3.0 A, CSK hole.</p>
	<p><b>Part No.</b> CP30206NMB <b>RS Stock No.</b> 916-0224</p>	<p><b>Description</b> USB 3.0 B to USB 3.0 A, CSK hole.</p>
	<p><b>Part No.</b> CP30207NMB <b>RS Stock No.</b> 916-0227</p>	<p><b>Description</b> USB 2.0 B to USB 2.0 A, CSK hole.</p>

		<b>Part No.</b> <b>CP30220SMB</b> <b>RS stock No.</b> <b>916-0252</b>	<b>Description</b> FTP Cat5e RJ45-RJ45, Shielded, CSK Hole
		<b>Part No.</b> <b>CP30222MB</b> <b>RS Stock No.</b> <b>916-0255</b>	<b>Description</b> UTP Cat6 RJ45-RJ45, CSK Hole
		<b>Part No.</b> <b>CP30222SMB</b> <b>RS Stock No.</b> <b>916-0259</b>	<b>Description</b> FTP Cat6 RJ45-RJ45, Shielded, CSK Hole
		<b>Part No.</b> <b>CP30230MB</b>	<b>Description</b> RCA Phono RED, CSK Hole
		<b>Part No.</b> <b>CP30231MB</b>	<b>Description</b> RCA Phono WHITE, CSK Hole
		<b>Part No.</b> <b>CP30232MB</b>	<b>Description</b> RCA Phono YELLOW, CSK Hole  Other colours available on request.
		<b>Part No.</b> <b>CP30241MB</b>	<b>Description</b> Blanking Plate, CSK Hole

		<b>Part No.</b> <b>CP30208NMB</b> <b>RS Stock No.</b> <b>916-0221</b>	<b>Description</b> USB 2.0 A to USB 2.0 A, CSK hole.
		<b>Part No.</b> <b>CP30209NMB</b> <b>RS Stock No.</b> <b>916-0230</b>	<b>Description</b> USB 2.0 A to USB 2.0 B, CSK hole.
		<b>Part No.</b> <b>CP30213MB</b> <b>RS Stock No.</b> <b>916-0233</b>	<b>Description</b> LC Duplex SM adaptor, CSK Hole
		<b>Part No.</b> <b>CP30214MB</b>	<b>Description</b> LC Duplex MM, CSK Hole
		<b>Part No.</b> <b>CP30215MB</b> <b>RS Stock No.</b> <b>916-0246</b>	<b>Description</b> SC Simplex SM, CSK Hole
		<b>Part No.</b> <b>CP30216MB</b>	<b>Description</b> SC Simplex MM, CSK Hole
		<b>Part No.</b> <b>CP30217MB</b> <b>RS Stock No.</b> <b>916-0249</b>	<b>Description</b> Toslink, CSK Hole
		<b>Part No.</b> <b>CP30220MB</b> <b>RS Stock No.</b> <b>916-0243</b>	<b>Description</b> UTP Cat5e RJ45-RJ45, CSK Hole