

Features

- RS PRO BCB Series Beam Couplings have socket head cap screws each end.
- Made from Aluminium 7075 (A).
- Constant velocity couplings with high torque capacity and zero backlash.
- Bore tolerance $+0.025$ mm / -0.000 mm.
- Recommended shaft tolerance $+0.000$ mm / -0.013 mm.

RS PRO Flexible Beam Coupling

RS-Stock Number: 0764272



RS PRO is the own brand of RS. The RS PRO Seal of Approval is your assurance of professional quality, a guarantee that every part is rigorously tested, inspected, and audited against demanding standards. Making RS PRO the Smart Choice for our customers.

Product Description

RS PRO flexible couplings made from Aluminium 7075 (A) are used where a degree of motion is needed between the shafts. These couplings can improve the performance of a machine and reduce wear and tear. They are easy to install and have a long-life span. The types of couplings that sit within the flexible couplings area are gear couplings, and universal joint couplings. Each coupling is manufactured as one piece, thereby eliminating mechanical joints and possible failure points. RS PRO BCB Series Beam Couplings have socket head cap screws each end.

Typical applications include encoders, stepper motors, robotics, measuring instruments, servo systems, pumps, valves, fans etc.

General Specifications

Material	Aluminium 7075 (A)
Coupling Type	Beam Coupling
Series	BCB
Fastening Type	Clamping

Mechanical Specifications

Bore 1	5 mm
Bore 2	4 mm
Outside Diameter	12.7 mm
Length	19.1 mm
Cap Screw	M2

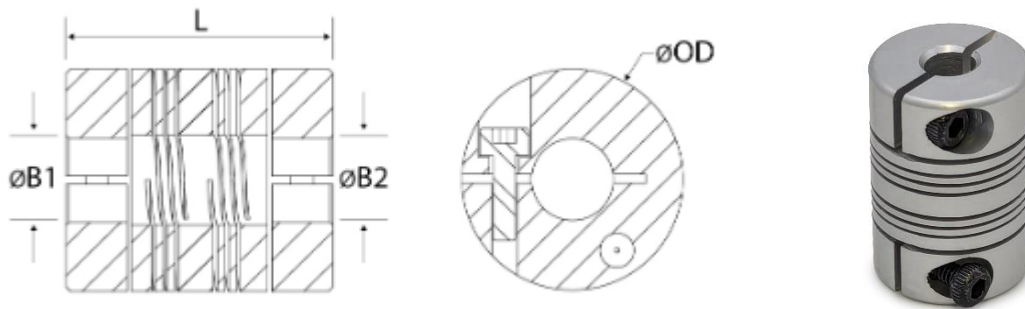
Product Details

RS PRO Metric Four Beam Couplings - Clamp Style

Material	Aluminium 7075 (A)
Coupling Type	Beam Coupling
Series	BCB
Fastening Type	Clamping

RS PRO BCB Series Beam Couplings have socket head cap screws each end.

Bore tolerance +0.025 mm / -0.000 mm | Recommended shaft tolerance +0.000 mm / -0.013 mm



Stock No.	Bore $\varnothing B1$	Bore $\varnothing B2$	Outer $\varnothing OD$	Length L	Cap Screw
0132146	3 mm	3 mm	12.7 mm	19.1 mm	M2
0132147	4 mm	4 mm	12.7 mm	19.1 mm	M2
BCB13-5-4-A	5 mm	4 mm	12.7 mm	19.1 mm	M2
BCB19-4-4-A	4 mm	4 mm	19.1 mm	22.9 mm	M2.5
0132149	5 mm	5 mm	19.1 mm	22.9 mm	M2.5
0132150	6 mm	6 mm	19.1 mm	22.9 mm	M2.5
0132141	6 mm	5 mm	19.1 mm	22.9 mm	M2.5
0132151	6 mm	6 mm	25.4 mm	31.8 mm	M4
0132152	8 mm	8 mm	25.4 mm	31.8 mm	M4
0132145	8 mm	6 mm	25.4 mm	31.8 mm	M4
0132153	10 mm	10 mm	25.4 mm	31.8 mm	M4
0132142	10 mm	6 mm	25.4 mm	31.8 mm	M4
0132143	10 mm	8 mm	25.4 mm	31.8 mm	M4