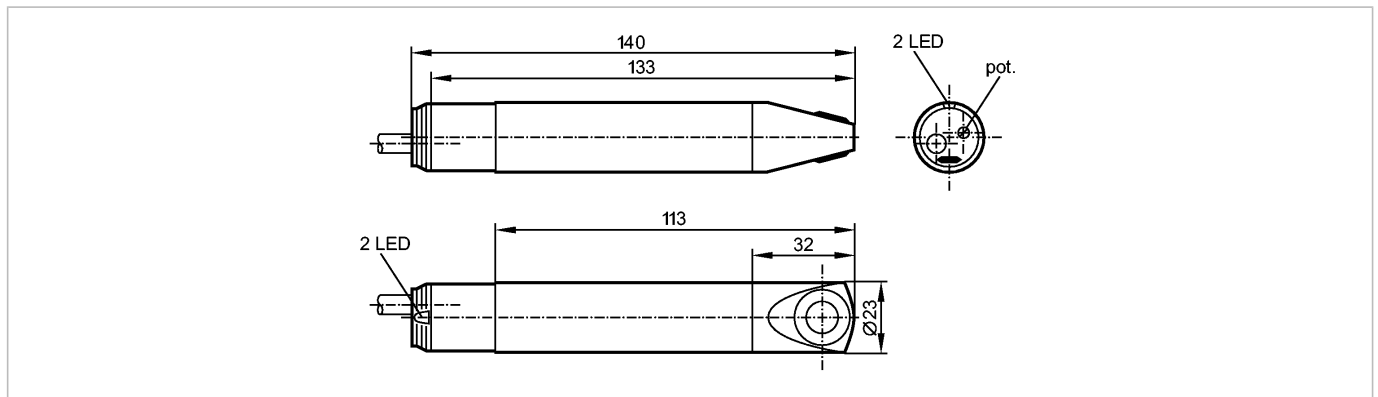


**SL0301**

SLG23CEEAKOA/PH

Flow sensors



Made in Germany

Product characteristics		
Airflow monitor		
Cylindrical type		
Process connection: Ø 23 mm		
Application		
Medium temperature Gases	[°C]	-10...50
Electrical data		
Electrical design		AC/DC
Operating voltage	[V]	80...250 AC (47...63 Hz AC) / 90...250 DC
Power consumption	[VA]	3
Reverse polarity protection		no
Outputs		
Output function		relay energised when flow is present
Contact rating		3 A (30 V DC / 250 V AC)
Short-circuit proof		no
Overload protection		no
Measuring / setting range		
Setting range	[cm/s]	100...1000
Greatest sensitivity	[cm/s]	100...400
Accuracy / deviations		
Max. temperature gradient of medium	[K/min]	5
Reaction times		
Power-on delay time	[s]	60
Response time	[s]	3...60
Software / programming		
Adjustment of the switch point		potentiometer
Environment		
Pressure rating	[bar]	1
Ambient temperature	[°C]	-10...50
Max. relative air humidity	[%]	90
Protection		IP 65
Tests / approvals		
MTTF	[Years]	741

## SL0301

SLG23CEEAKOA/PH

Flow sensors

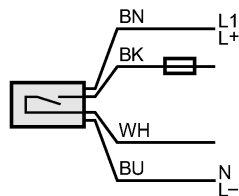
Mechanical data	
Process connection	Ø 23 mm
Materials (wetted parts)	PBT; titanium
Housing materials	housing: PBT; sensor surface: titanium
Weight [kg]	0.256

Displays / operating elements	
Function display	LED
	1 x red / 1 x green

Electrical connection	
Connection	PUR cable / 2 m; 4 x 0.5 mm <sup>2</sup>

### Wiring

Core colours	
BN	brown
BU	blue
BK	black
WH	white



Note: miniature fuse to IEC60127-2 sheet 1, ≤ 5 A (fast acting)

Accessories	
Accessories (included)	Mounting clamp (E40048); screwdriver

Remarks	
Remarks	Recommendation: check the unit for reliable function after a short circuit.
Pack quantity [piece]	1