

Datasheet Spin-On Filter Head and Filter

RS Stock number 512-617



Technical Data

Construction

- In-line Spin-On filter head

Material

- Aluminium

Port Connection

- BSP

Flow Rate

- 225 l/min / 60 US GPM for return line application
- 46 l/min / 12 US GPM for suction line application

Operating Pressure

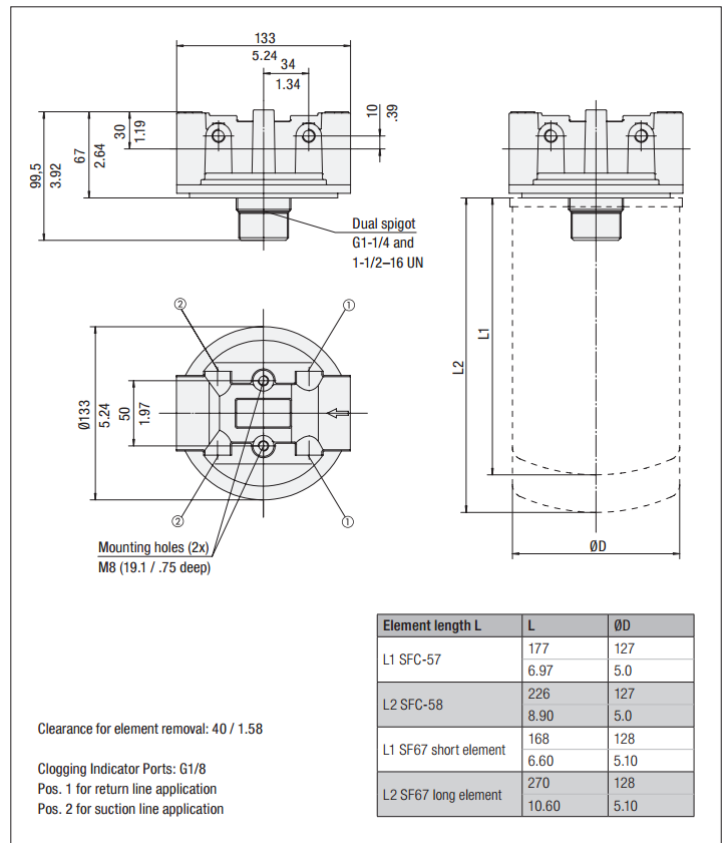
- Max. 12 bar / 174 PSI
- Max. 5 bar / 72.5 PSI differential pressure (for any applicaton with no bypass valve)

Temperature Range

- -32 °C ... +100 °C / -25 °F ... +212 °F

Media Compatibility

- Mineral oils, other fluids on request



Dimensions in mm / in



Technical Data

Connection Thread

- G1-1/4

Operating Pressure

- Max. 12 bar / 174 PSI

Burst Pressure

- Min. 17 bar / 247 PSI

Temperature Range

- -32 °C ... +100 °C / -25 °F ... +212 °F

Seal Contour

- Type A (see page C123)

Differential Pressure

- Paper: Max. 5 bar / 72.5 PSI
- Glass Fibre / Wire Mesh: Max. 10 bar / 145 PSI
- (for any application with no bypass valve)

Bypass Pressure


- 1,7 bar / 25 PSI
- (only SFCT-series)

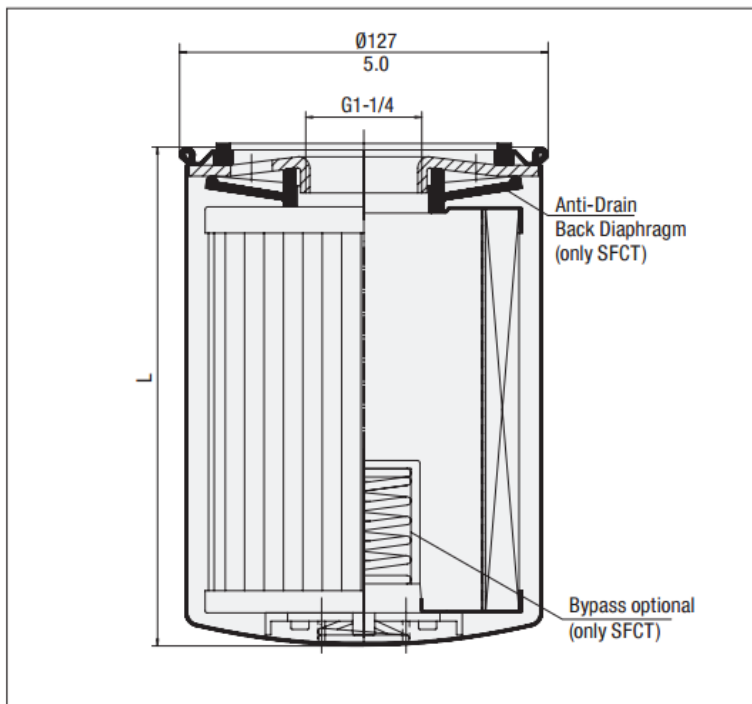
Media Compatibility

- Mineral oils, other fluids on request

Sealing Material

- NBR (Buna-N®)

	 10µm
Length L (mm/in)	177 6.97
B-Ratio	$\beta_{10} \geq 2$
Carton Quantity	1
Carton Weight (kg/lbs)	1,4 3



Dimensions in mm / in