

1658681-1 ✓ ACTIVE

AMPLIMITE

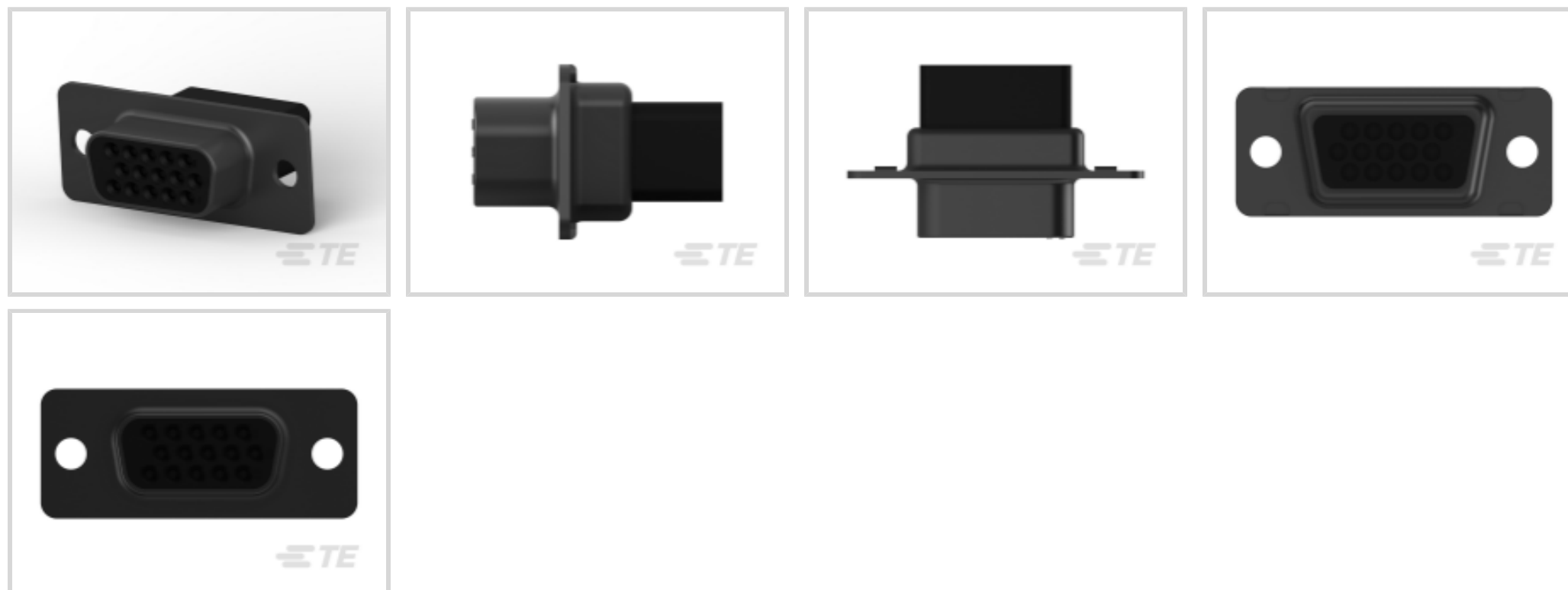
TE Internal #: 1658681-1

Crimp D-Sub Connectors, Receptacle, Cable-to-Cable, 15 Position,
22 D-Sub Contact Size, 1 D-Sub Shell Size, Mating Retention,
Mounting Holes, Shielded

[View on TE.com >](#)



Connectors > D-Shaped Connectors > D-Sub Connectors > Crimp D-Sub Connectors



Connector & Housing Type: **Receptacle**

Connector System: **Cable-to-Cable**

Number of Positions: **15**

D-Sub Contact Size: **22**

D-Sub Shell Size: **1**

Features

Product Type Features

Grade	Standard
Grounding Indents	Without
Product Type	Connector
Shell Type	Front Metal Shell
Connector & Housing Type	Receptacle
Connector System	Cable-to-Cable
D-Sub Shell Size	1
Sealable	No
Connector & Contact Terminates To	Wire & Cable

Configuration Features

Number of Positions	15
---------------------	----

Body Features

Shell Material	Steel
Shell Plating Material	Tin



Insert Material	Glass-Filled Nylon
-----------------	--------------------

Contact Features

D-Sub Contact Size	22
--------------------	----

Mechanical Attachment

Mating Retention	With
------------------	------

Mating Retention Type	Mounting Holes
-----------------------	----------------

Housing Features

Centerline (Pitch)	2.28 mm[.09 in]
--------------------	-----------------

Usage Conditions

Operating Temperature Range	-55 – 105 °C[-67 – 221 °F]
-----------------------------	----------------------------

Operation/Application

Shielded	Yes
----------	-----

Circuit Application	Signal
---------------------	--------

Industry Standards

Insert Flammability Rating	UL 94V-0
----------------------------	----------

UL Flammability Rating	UL 94V-0
------------------------	----------

Packaging Features

Packaging Method	Package
------------------	---------

Packaging Quantity	800
--------------------	-----

Product Compliance

[For compliance documentation, visit the product page on TE.com>](#)

EU RoHS Directive 2011/65/EU	Compliant
------------------------------	-----------

EU ELV Directive 2000/53/EC	Compliant
-----------------------------	-----------

China RoHS 2 Directive MIIT Order No 32, 2016	No Restricted Materials Above Threshold
---	---

EU REACH Regulation (EC) No. 1907/2006	Current ECHA Candidate List: JUN 2020 (209) Candidate List Declared Against: JUN 2020 (209) Does not contain REACH SVHC
--	---











Halogen Content	BFR/CFR/PVC Free, but Br/Cl >900 ppm in other sources.
-----------------	--

Solder Process Capability	Not applicable for solder process capability
---------------------------	--

Product Compliance Disclaimer

This information is provided based on reasonable inquiry of our suppliers and represents our current actual knowledge based on the information they provided. This information is subject to change. The part numbers that TE has identified as EU RoHS compliant have a maximum concentration of 0.1% by weight in homogenous materials for lead, hexavalent chromium, mercury, PBB, PBDE, DBP, BBP, DEHP, DIBP, and 0.01% for cadmium, or qualify for an exemption to these limits as defined in the Annexes of Directive 2011/65/EU (RoHS2). Finished electrical and electronic equipment products will be CE marked as required by Directive 2011/65/EU. Components may not be CE marked. Additionally, the part numbers that TE has identified as EU ELV compliant have a maximum concentration of 0.1% by weight in homogenous materials for lead, hexavalent chromium, and mercury, and 0.01% for cadmium, or qualify for an exemption to these limits as defined in the Annexes of Directive 2000/53/EC (ELV). Regarding the REACH Regulation, the information TE provides on SVHC in articles for this part number is based on the latest European Chemicals Agency (ECHA) 'Guidance on requirements for substances in articles' posted at this URL: <https://echa.europa.eu/guidance-documents/guidance-on-reach>

Compatible Parts

 <p>TE Model / Part # 1658678-1 KIT,HDP-22,ENCLSUR,PLUG,SIZE 1</p>	 <p>TE Model / Part # 1658689-1 KIT,HDP-22,ENCLSUR,RCPT,SIZE 2</p>	 <p>TE Model / Part # 1658691-1 HDP-22,PLUG,SIZE 1,15 POSN,CLI</p>	 <p>TE Model / Part # 1658688-1 KIT,HDP-22,ENCLSUR,RCPT,SIZE 1</p>
 <p>TE Model / Part # 1658687-1 HDP-22,OVRMLD,RCPT KIT,SIZE 2,</p>	 <p>TE Model / Part # 2198617-9 Ni Plated Plastic Backshell, 9 Way, Str</p>	 <p>TE Model / Part # 1393738-2 V42254A6000G115=SUB D GEHAEUSE</p>	 <p>TE Model / Part # 1658675-1 HDP-22,OVRMLD,PLUG KIT,SIZE 1,</p>
 <p>TE Model / Part # 5748634-1 KIT,RCPT,15P,HDP-22,SHLD HDWRE</p>	 <p>TE Model / Part # 748364-1 15 HD22 CRIMP SNAP PLUG</p>	 <p>TE Model / Part # 1888306-1 15 HD22 CRIMP SNAP PLUG</p>	

Customers Also Bought



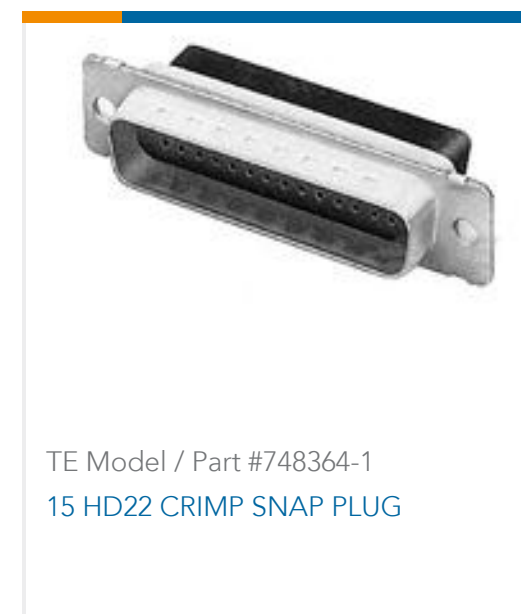
TE Model / Part #1658682-1
HDP-22,RCPT,SIZE 2,26 POSN



TE Model / Part #5748676-3
DIE CAST CBL CLMP KIT,SZ 3



TE Model / Part #1658671-1
HDP-22,PLUG,SIZE 2, 26 POSN



TE Model / Part #748364-1
15 HD22 CRIMP SNAP PLUG



TE Model / Part #5748676-1
DIE CAST CBL CLMP KIT,SZ 1



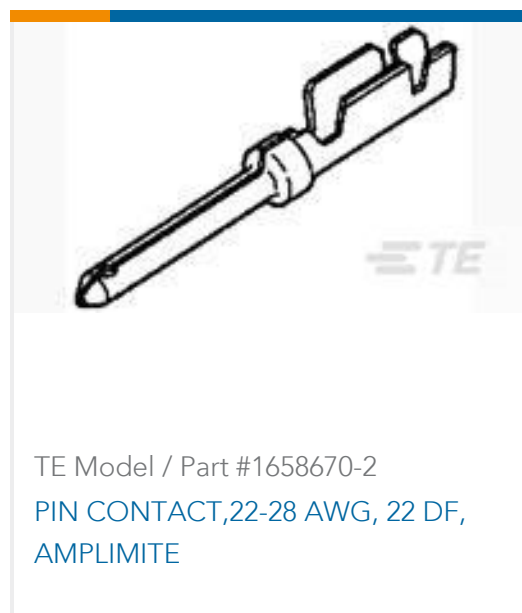
TE Model / Part #5748676-2
DIE CAST CBL CLMP KIT,SZ 2



TE Model / Part #5205980-1
SCREW RETAINER KIT



TE Model / Part #1658686-2
SOCKET CONT, 22-28 AWG, DF 22,
AMPLIMITE



TE Model / Part #1658670-2
PIN CONTACT,22-28 AWG, 22 DF,
AMPLIMITE



TE Model / Part #1658686-1
SOCKET CONTACT,22 DF,STRIP,22-
AMPLIMITE

Documents

Product Drawings

[HDP-22,RCPT,SIZE 1,15 POSN](#)

English

CAD Files

[3D PDF](#)

3D

Customer View Model

[ENG_CVM_CVM_1658681-1_B.2d_dxf.zip](#)

English

Customer View Model

[ENG_CVM_CVM_1658681-1_B.3d_igs.zip](#)

English

Customer View Model

[ENG_CVM_CVM_1658681-1_B.3d_stp.zip](#)

English

By downloading the CAD file I accept and agree to the [Terms and Conditions](#) of use.

Datasheets & Catalog Pages



[AMPLIMITE Subminiature D Connectors - Cable Connectors](#)

English

[AMPLIMITE Cable Connectors and Shielding Hardware Kits QRG](#)

English

[Product Specifications](#)

[Application Specification](#)

English

[Product Environmental Compliance](#)

[MD_1658681-1_07172017726_dmtec](#)

English

[MD_1658681-1_07172017726_dmtec](#)

English

[Instruction Sheets](#)

[Instruction Sheet \(U.S.\)](#)

English

[Agency Approvals](#)

[UL Report](#)

English