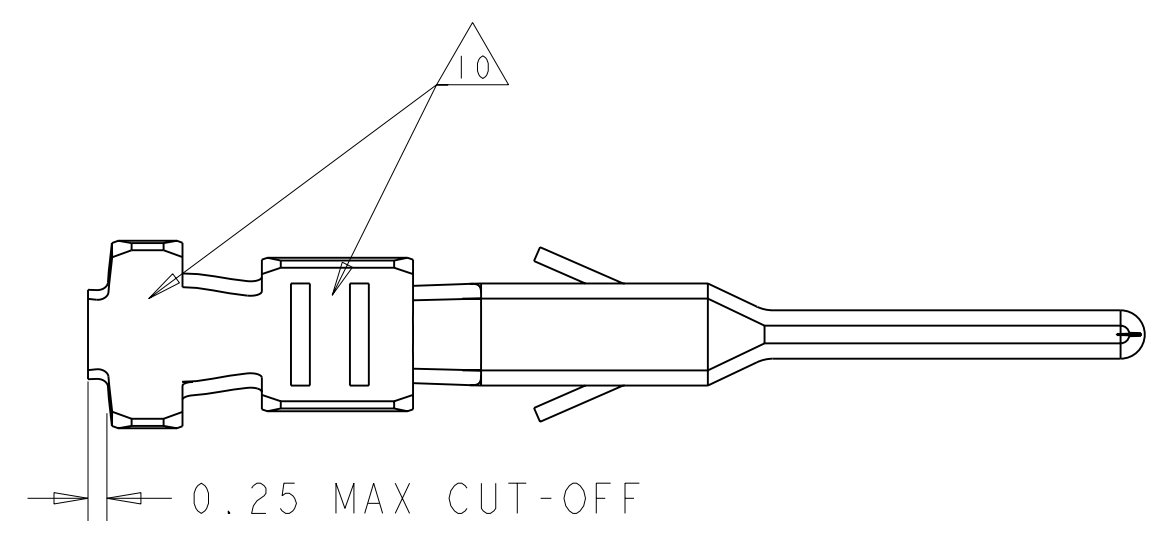
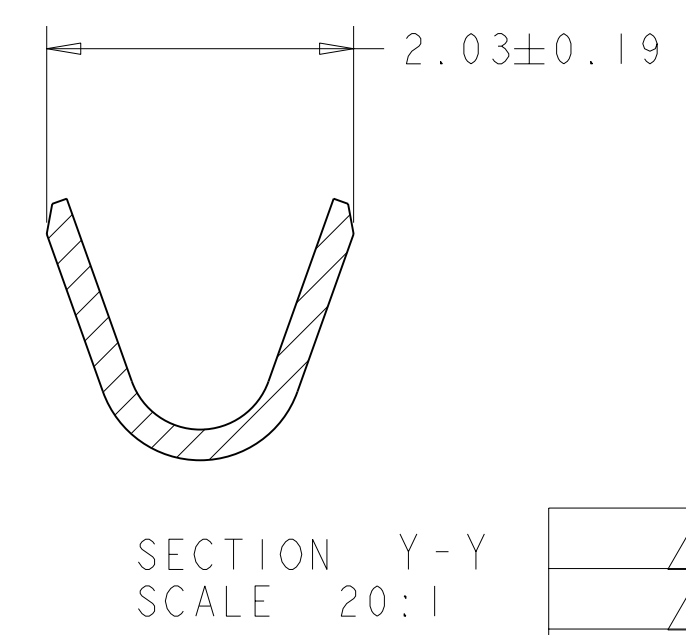
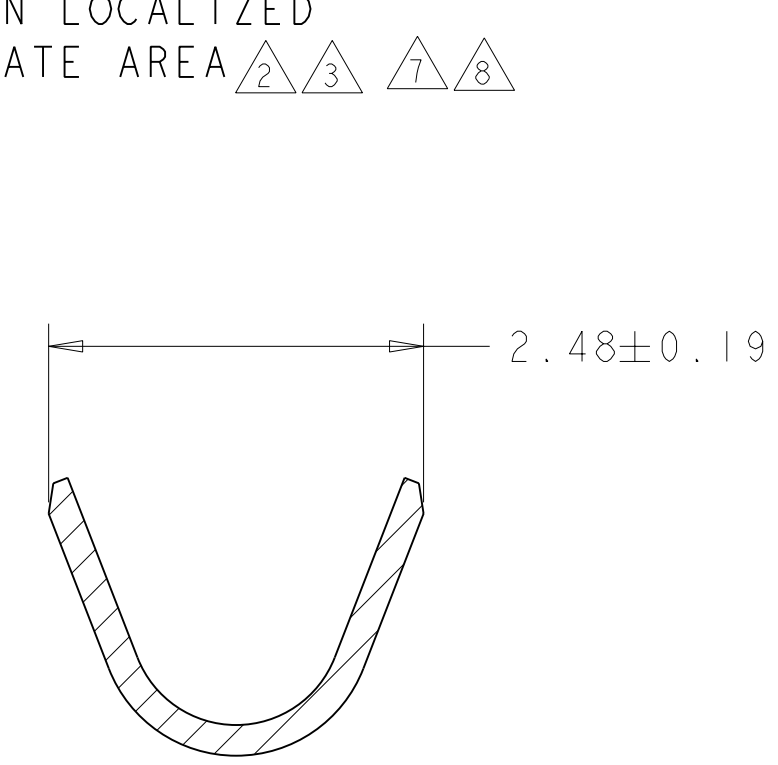
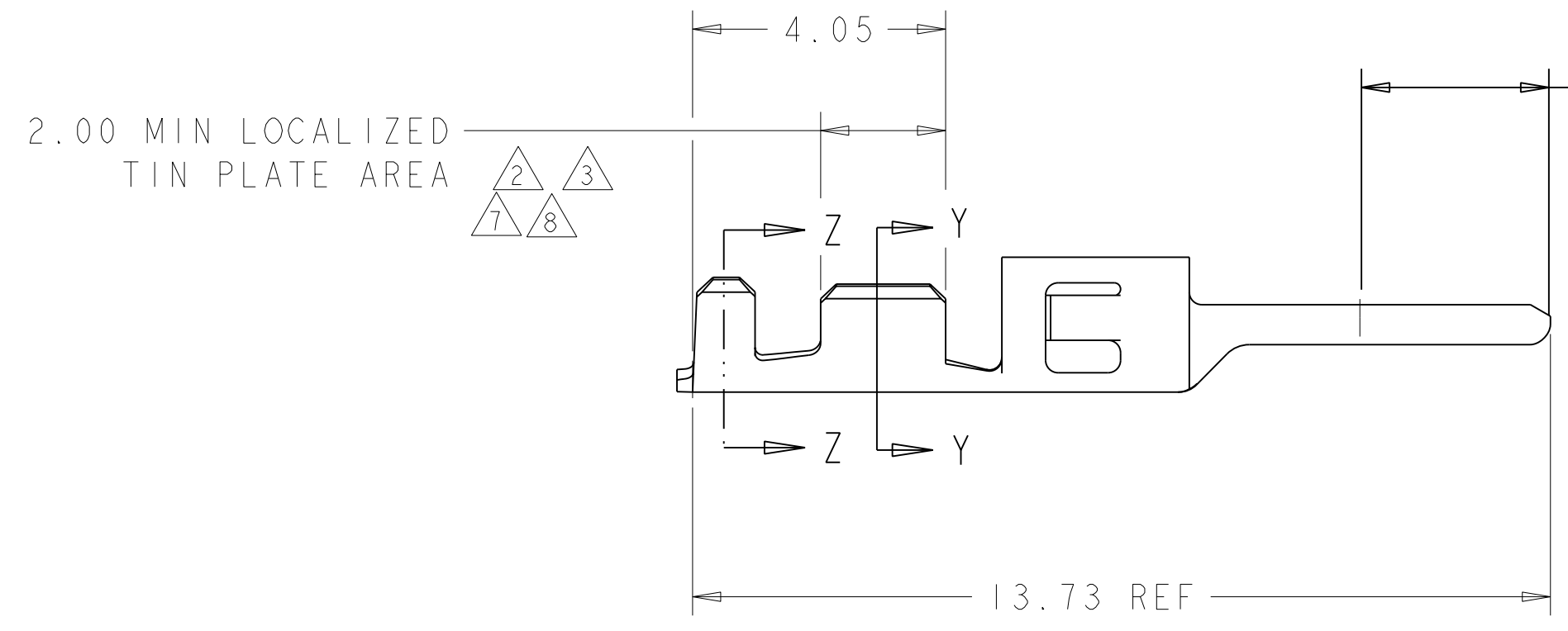


THIS DRAWING IS UNPUBLISHED. RELEASED FOR PUBLICATION 20
 © COPYRIGHT 20 BY TYCO ELECTRONICS CORPORATION. ALL RIGHTS RESERVED.

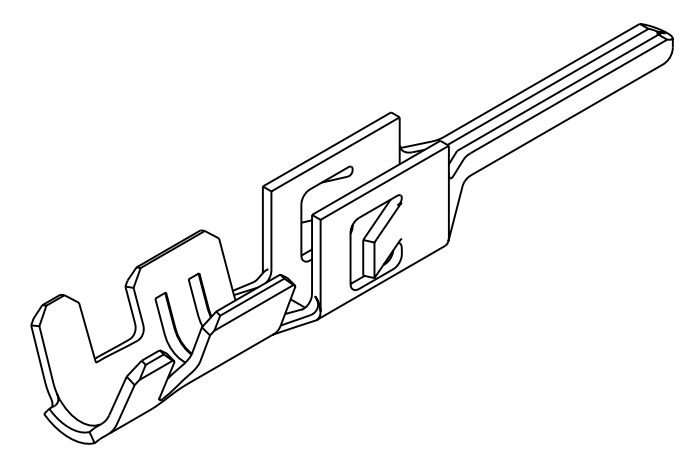
| LOC | DIST | REVISIONS | | | | | |
|-----|------|-----------|-----|---------------------------|-----------|-----|------|
| CM | 00 | P | LTR | DESCRIPTION | DATE | DWN | APVD |
| | | A | | REVISED PER 0G3B-0289-03 | 24-JUN-03 | KW | CJ |
| | | B | | REVISED PER 0G3B-0519-03 | 24-JUN-03 | KW | CJ |
| | | C | | REVISED PER 0G3B-1055-04 | 05JAN05 | KW | CJ |
| | | CI | | REVISED PER ECO-05-015508 | 24FEB06 | KW | CJ |



- 1. 2.54 μ m MIN BRIGHT TIN/LEAD ENTIRE STOCK OVER 1.27 μ m MIN NICKEL ENTIRE STOCK.
- 2. 0.38 μ m MIN GOLD IN LOCALIZED GOLD PLATE AREA, 2.5 μ m MIN BRIGHT TIN/LEAD IN LOCALIZED TIN/LEAD PLATE AREA, BOTH OVER 1.27 μ m MIN NICKEL ON ENTIRE STOCK.
- 3. 0.76 μ m MIN GOLD IN LOCALIZED GOLD PLATE AREA, 2.5 μ m MIN BRIGHT TIN/LEAD IN LOCALIZED TIN/LEAD PLATE AREA, BOTH OVER 1.27 μ m MIN NICKEL ON ENTIRE STOCK.
- 4. WIRE RANGE 20-24 AWG.
- 5. INSULATION RANGE 0.89-1.52
- 6. 2.54 μ m MIN BRIGHT TIN ENTIRE STOCK OVER 1.27 μ m MIN NICKEL ENTIRE STOCK.
- 7. 0.38 μ m MIN GOLD IN LOCALIZED GOLD PLATE AREA, 2.5 μ m MIN BRIGHT TIN IN LOCALIZED TIN PLATE AREA, BOTH OVER 1.27 μ m MIN NICKEL ON ENTIRE STOCK.
- 8. 0.76 μ m MIN GOLD IN LOCALIZED GOLD PLATE AREA, 2.5 μ m MIN BRIGHT TIN IN LOCALIZED TIN PLATE AREA, BOTH OVER 1.27 μ m MIN NICKEL ON ENTIRE STOCK.
- 9. NOTE DELETED.
- 10. TIN PLATING THICKNESS INSIDE WIRE AND INSULATION BARRELS TO BE 1.27 μ m MIN.



| | |
|--------|-------------|
| 8 | 1-794612-2 |
| 7 | 1-794612-1 |
| 6 | 1-794612-0 |
| 3 | 794612-3 |
| 2 | 794612-2 |
| 1 | 794612-1 |
| FINISH | PART NUMBER |



METRIC

THIS DRAWING IS A CONTROLLED DOCUMENT FOR TYCO ELECTRONICS CORPORATION. IT IS SUBJECT TO CHANGE AND THE CONTROLLING ENGINEERING ORGANIZATION SHOULD BE CONTACTED FOR THE LATEST REVISION.

| | | | | |
|-------------|--|------------------|-----------|---|
| DIMENSIONS: | TOLERANCES UNLESS OTHERWISE SPECIFIED: | DWN | 29AUG2000 | Tyco Electronics Harrisburg, PA 17105-3608 |
| mm | 0 PLC ± | CHK | 29AUG2000 | |
| | 1 PLC ± | APVD | 29AUG2000 | |
| | 2 PLC ±0.13 | PRODUCT SPEC | | |
| | 3 PLC ± | APPLICATION SPEC | | NAME |
| | 4 PLC ± | WEIGHT | | PLUG CONTACT, CRIMP SNAP, 20-24 AWG |
| | ANGLES ± | CUSTOMER DRAWING | | LOOSE PIECE, MICRO MATE-N-LOK(TM) |
| | FINISH - | SCALE | 10:1 | SIZE |
| MATERIAL | 0.20 THK BRASS | SHEET | 1 | CAGE CODE |
| | | OF | 1 | 00779 |
| | | REV | CI | DRAWING NO |
| | | | | C=794612 |