

INSTALLATION INSTRUCTIONS

Honeywell

V4073A Motorised Mid-Position Valve

Application

The V4073A valve has been designed to control the flow of water in a small bore domestic central heating system where both radiator and hot water cylinder circulation are pumped. It is typically suited for systems up to 90,000 Btu/h (26 KW).

Specifications

Voltage: 230-240V ~ 50Hz

Power consumption: 6W

Lead supplied: 1 metre, 5 core

Operating temperature range: +5 to +88°C
(Special models available for chilled water applications)

Maximum ambient temperature: +52°C

Pipe fitting sizes:

22mm & 28mm compression fitting, 3/4" & 1" BSP

Dimensions and KV values: See diagrams

Spares available

Powerhead

Part No. 40003916-003

Motor

Part No. 40002737-003

Ball & 'O' Ring Kit

Part No. 272742A CARD

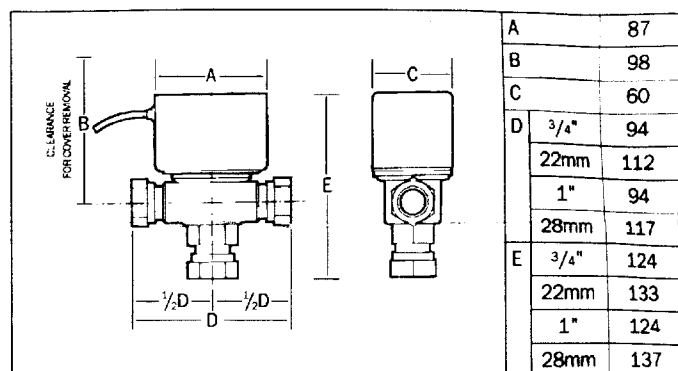
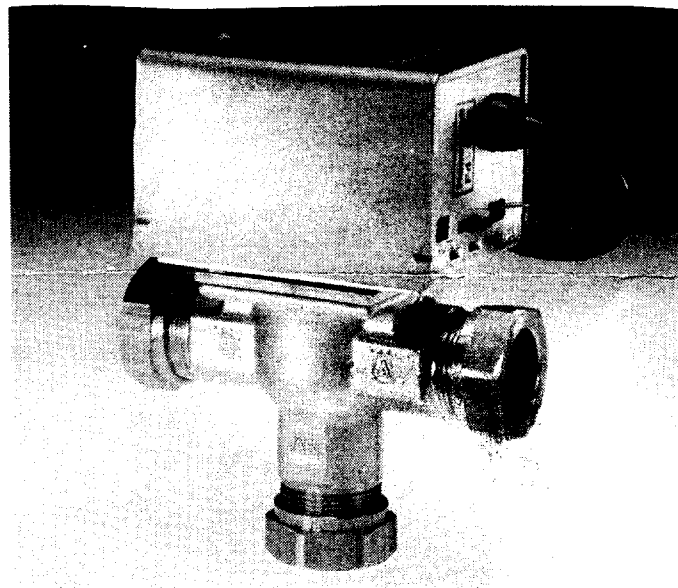
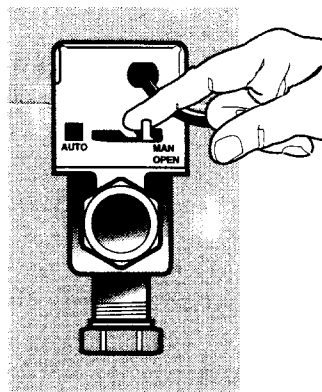
Installation

V4073A incorporates a manual lever, the lever should normally be in 'AUTO' position, but can be moved to 'MAN OPEN' position for system draindown and filling purposes only.

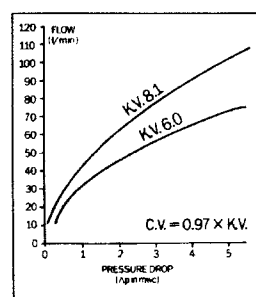
Before fitting the valve, read through the plumbing and wiring instructions.

This product **MUST** be installed by a competent person. The installation **MUST** conform to I.E.E. Regulations and with The Electricity at Work Regulations.

A Class 'A' switch (having contact separation of at least 3mm in all poles) must be incorporated in the fixed wiring as a means of disconnecting the supply. The system must be appropriately fused.



Dimensions (mm)



Flow Characteristics

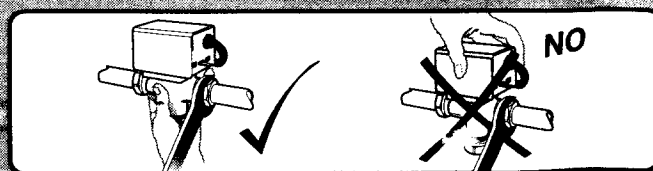
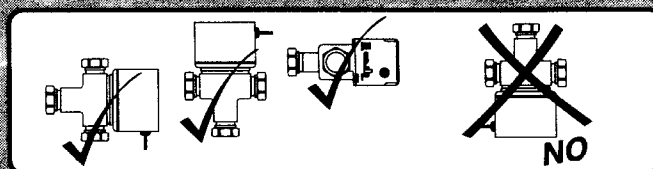
Plumbing

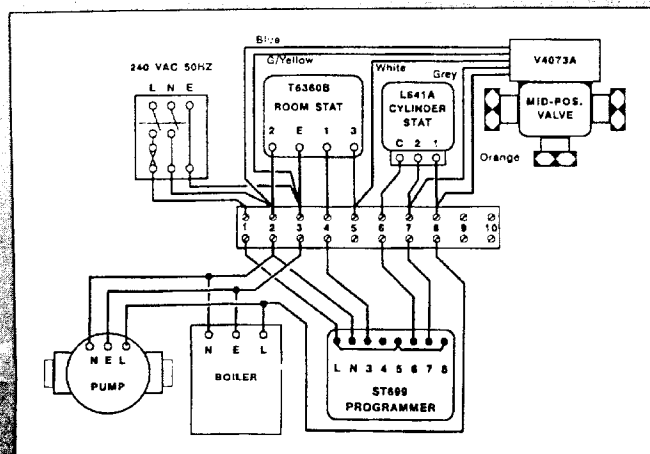
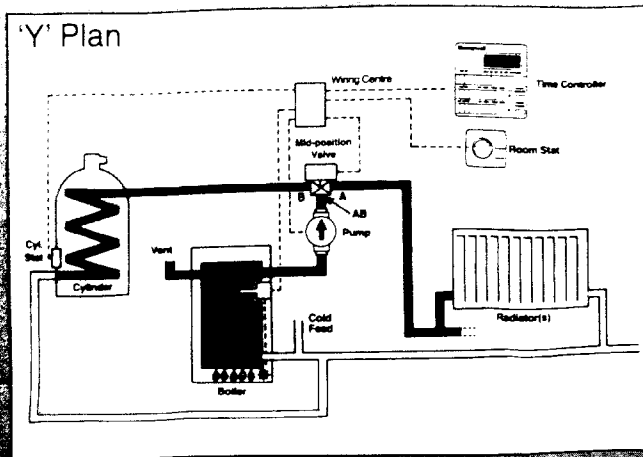
The valve **MUST NOT** be fitted on the return pipework under any circumstances. Flow from the boiler must be connected to port AB, the radiator circuit to port A and the hot water cylinder circuit to port B.

The valve may be plumbed in at any angle but must not be mounted so that the valve head is below the horizontal level of the pipework. In the unlikely event of a leak a safety hazard could result.

Do not grip the valve head while making and tightening up plumbing connections. Attach a spanner (32mm or 1 1/4" AP) into the valve body at each port, whilst tightening up the nuts. Tighten compression nuts enough to make a watertight seal.

TAKE CARE NOT TO OVERTIGHTEN.





Wiring

Checkout procedure

To ensure the valve is plumbed and wired correctly, carry out the following checks after filling the system and switching on the power.

- 1 a Check manual lever is in 'AUTO' position.
- b Check programmer has power.
- c Check boiler is switched on and its thermostat set to maximum.
- 2 Confirm correct hot water functions as follows:
 - a Turn room thermostat to minimum setting or switch off at programmer.
 - b Set cylinder thermostat to maximum and programmer to 'HOT WATER ON'.
 - c Boiler should fire and pump should run. Feel pipe approximately 12" from valve port B, it should get hot.

- 3 Confirm correct heating functions as follows:
 - a Turn cylinder thermostat to minimum or switch off at programmer.
 - b Set room thermostat to maximum and programmer to 'CENTRAL HEATING ON'.
 - c Boiler should fire and pump should run. Feel pipe approximately 12" from port A, it should get hot.

- 4 Confirm valve is functioning at mid position by switching 'HEATING ON' and 'HOT WATER ON' at the programmer. Set both thermostat to maximum, feel pipes approximately 12" from both ports A and B. Both pipes should get hot.

Completion

Reset both thermostats to temperature required, normally 60°C for cylinder thermostat and 20°C for room thermostat. Return programmer to 'Auto' or mode selected by householder. Full installation, wiring and operating instructions for SUNDIAL products are included in every product pack. For special wiring diagrams or applications, contact Honeywell.

Whilst Honeywell takes all practicable steps to design and manufacture its products to comply with the requirements of the Health and Safety at Work Act 1974, all products must be properly used and Purchasers are reminded that their obligations under the Act are to ensure that the installation and operation of such products at a place of work should be safe and without risk to them.

Honeywell reserve the right at any time and without notice to change any product or information contained in this publication.

The wiring diagrams and installation instructions in this publication are provided for guidance purposes when installing recognised standard systems only. Any application of this product not shown here, or any deviation from these instructions, is neither recommended nor advised. Any such application or deviation should be referred to Honeywell for technical assistance.

Honeywell

Arlington Business Park
Bracknell
Berkshire RG12 1EB
Telephone: 01344 826000 (before 10/96)

Form No. 95C-10820
Rev. 5/96

Printed in Canada