

## Features

- Made of ABS
- Available in light grey color
- Protection against liquids and solid objects: IP65 rating
- Supplied with two screws
- Threaded brass inserts for reliable assembly

## RS PRO Hermetic Enclosure

RS Stock No.: (0672259)



RS PRO is the own brand of RS. The RS PRO Seal of Approval is your assurance of professional quality, a guarantee that every part is rigorously tested, inspected, and audited against demanding standards. Making RS PRO the Smart Choice for our customers.

## Product Description

*Hermetic enclosure ideal for applications requiring protection against water ingress. The enclosure is supplied with silicone gascet that provides IP65 rating. Lid manufactured with recess for mambrane keypads and overlays. Threaded brass inserts ensures reliable assembly of the enclosure. It can be easily mounted to the walls and other surfaces using integrated mounting ears.*

## General Specifications

|                       |                       |
|-----------------------|-----------------------|
| Body Material         | ABS                   |
| Colour                | Light grey            |
| Lid Material          | ABS                   |
| Lid Colour            | Light grey            |
| RAL Code              | RAL 7035              |
| Accessories           | Screw M3 17/10 - 4psc |
| Cover Screws Material | Galvanized Steel      |

## Mechanical Specifications

|                 |          |
|-----------------|----------|
| Gasket Material | Silicone |
| External Height | 60mm     |
| External Length | 80mm     |
| External Width  | 160mm    |

## Protection Category

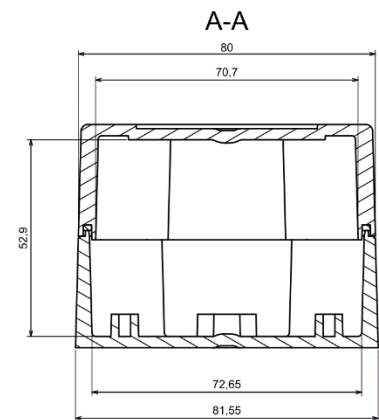
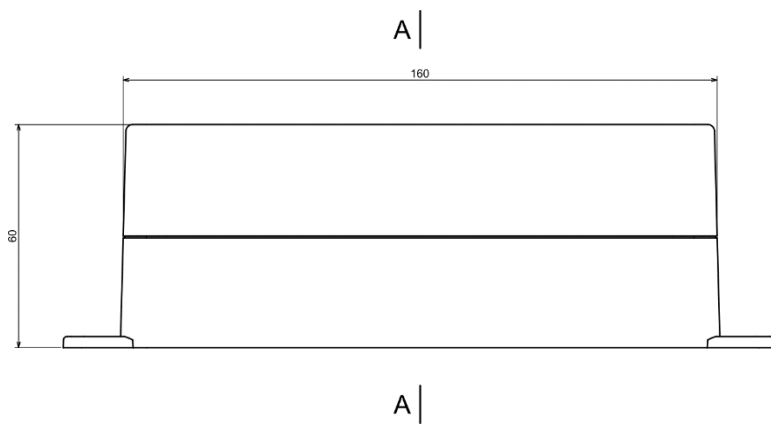
|           |      |
|-----------|------|
| IP Rating | IP65 |
|-----------|------|

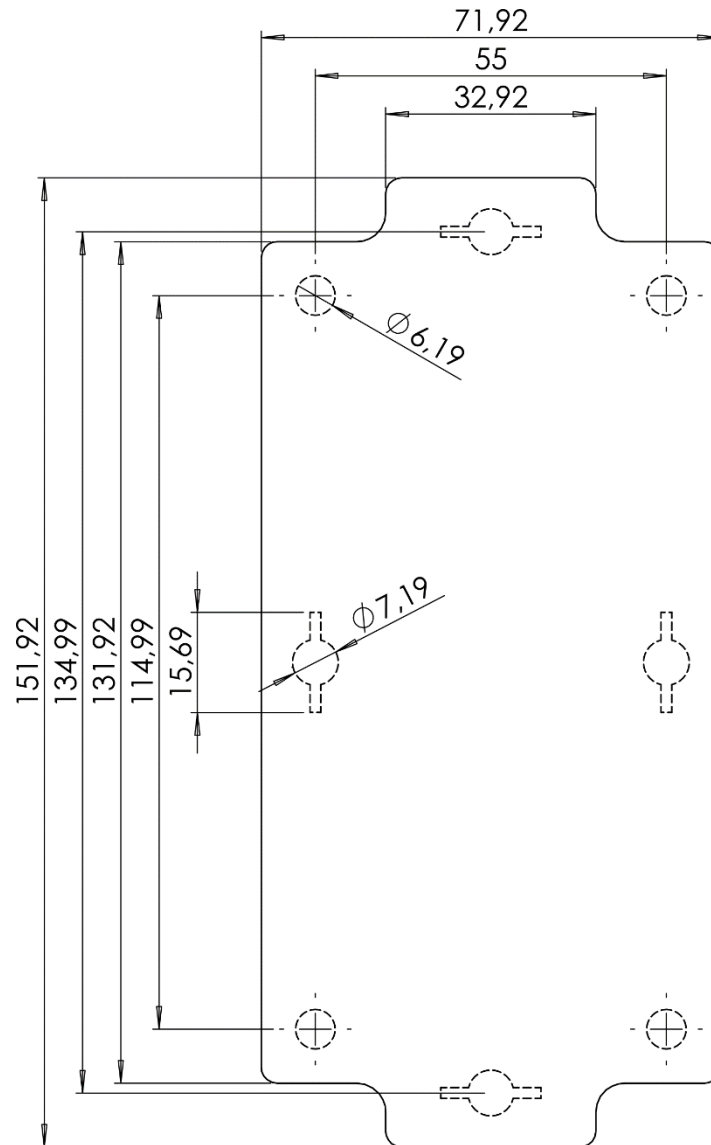
## Approvals

|                     |                |
|---------------------|----------------|
| <b>Declarations</b> | REACH          |
| <b>Standard Met</b> | RoHS Compliant |

## Similar Products

| Stock No.                | Brand  | Product Name              | Body Material | Colour              | Shielded |
|--------------------------|--------|---------------------------|---------------|---------------------|----------|
| ZP160.80.45SUJ TM<br>ABS | RS PRO | General Purpose Enclosure | ABS           | Grey                | No       |
| 0672361                  | RS PRO | General Purpose Enclosure | ABS<br>PC     | Grey<br>Transparent | No       |





Dashed line shows outline of the mounting boss under PCB board  
Recommended mounting holes diameter  $\phi 3,6\text{mm}$   
All dimensions are given within  $\pm 0,5\text{mm}$  tolerance